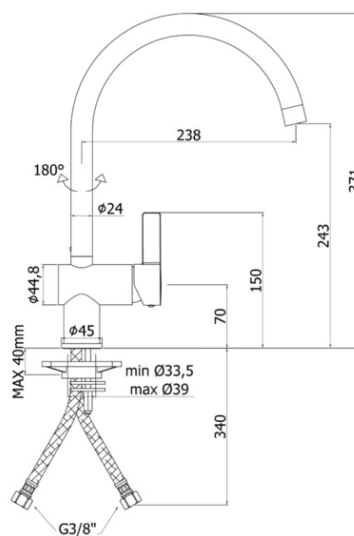


# rock



- One-hole sink mixer complete with:
- aerator M22x1F
- set of 2 stainless steel hoses 3/8"G
- One-hole sink mixer complete with:
- aerator M22x1F
- set of 2 stainless steel hoses 3/8"G

**RO 180**  
 CR- Chrome | Chrome  
 ST- Steel looking finish | Steel looking finish

## ARTICOLO ARTICLE

- RO 180..**
- with swivelling spout
  - with swivelling spout

## RAPPORTO PROVA PORTATA FLOW RATE REPORT

	Uscita outlet	Pressione / Pressure ( bar )									
		0,5	1	1.5	2	2.5	3	3.5	4	4.5	5
Portata / Flow rate ( l / min )		6.22	8.99	11.01	12.78	14.32	15.7	17.02	18.27	19.43	20.5

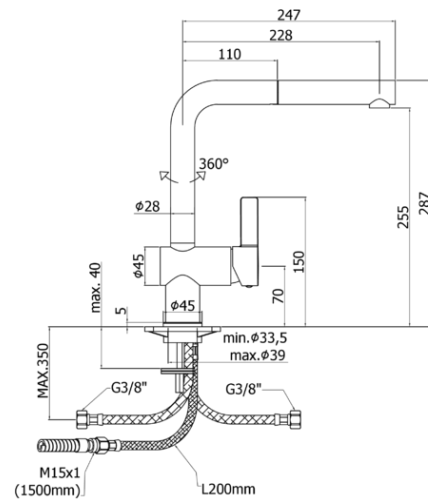
## DOCUMENTI TECNICITECHNICAL DOCUMENTS



ESPLOSO  
 RICAMBI  
 RO 180



# rock



- One-hole sink mixer with swivelling spout complete with:
- set of 2 stainless steel hoses 3/8"G
- 1 stainless steel hose M15x1
- 1/2"-M15x1 / L.1500mm nylon hose with ecological weight
- One-hole sink mixer with swivelling spout complete with:
- set of 2 stainless steel hoses 3/8"G
- 1 stainless steel hose M15x1
- 1/2"-M15x1 / L.1500mm nylon hose with ecological weight

**RO 185**  
CR- Chrome | Chrome

## ARTICOLO ARTICLE

**RO 185..**

- with (single spray) ABS pull out hand-shower
- with (single spray) ABS pull out hand-shower

## RAPPORTO PROVA PORTATA FLOW RATE REPORT

		Pressione / Pressure ( bar )									
		0,5	1	1.5	2	2.5	3	3.5	4	4.5	5
Portata / Flow rate ( l / min )	Uscita outlet	3.67	5.37	6.56	7.6	8.5	9.38	10.14	10.88	11.52	12.17

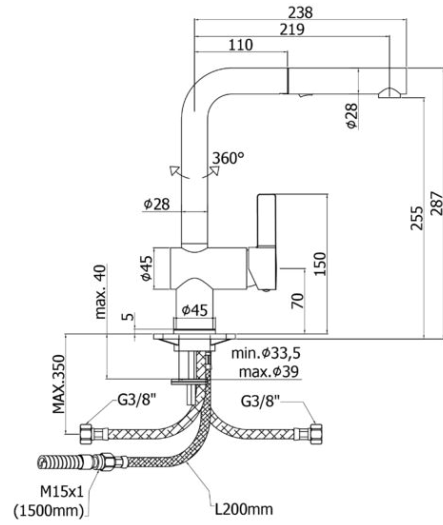
## DOCUMENTI TECNICITECHNICAL DOCUMENTS



ESPLOSO  
RICAMBI  
RO 185



# rock



- One-hole sink mixer with swivelling spout complete with:
- set of 2 stainless steel hoses 3/8"G
- 1 stainless steel hose M15x1
- 1/2"-M15x1 / L.1500mm nylon hose with ecological weight
- One-hole sink mixer with swivelling spout complete with:
- set of 2 stainless steel hoses 3/8"G
- 1 stainless steel hose M15x1
- 1/2"-M15x1 / L.1500mm nylon hose with ecological weight

## RO 285

CR- Chrome | Chrome

ST- Steel looking finish | Steel looking finish

## ARTICOLO ARTICLE

### RO 285..

- with (two-spray) ABS pull out hand-shower
- with (two-spray) ABS pull out hand-shower

## RAPPORTO PROVA PORTATA FLOW RATE REPORT

	Uscita outlet	Pressione / Pressure ( bar )									
		0,5	1	1.5	2	2.5	3	3.5	4	4.5	5
Portata / Flow rate ( l / min )	getto normale - normal jet	2.58	4.09	5.07	6	6.77	7.48	8.16	8.77	9.33	9.9
	getto pioggia - rain jet	2.38	3.73	4.71	5.55	6.29	6.89	7.57	8.1	8.6	9.15

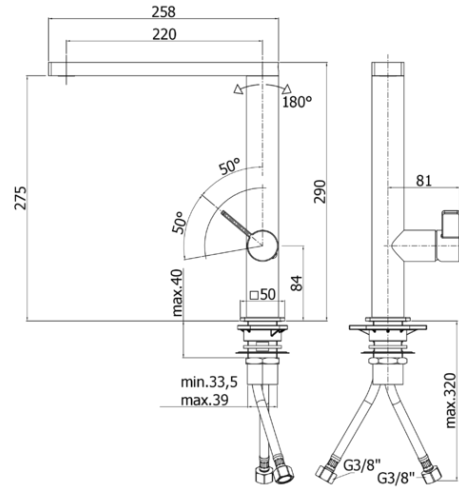
## DOCUMENTI TECNICITECHNICAL DOCUMENTS



ESPLOSO  
RICAMBI  
RO 285



# rock



- One-hole sink mixer complete with:
- aerator M24x1 Slim air
- set of 2 stainless steel hoses 3/8"G
- One-hole sink mixer complete with:
- aerator M24x1 Slim air
- set of 2 stainless steel hoses 3/8"G

## RO 987

CR- Chrome | Chrome

ST- Steel looking finish | Steel looking finish

## ARTICOLO ARTICLE

### RO 987..

- with swivelling spout
- with swivelling spout

## RAPPORTO PROVA PORTATA FLOW RATE REPORT

	Uscita outlet	Pressione / Pressure ( bar )									
		0,5	1	1.5	2	2.5	3	3.5	4	4.5	5
Portata / Flow rate ( l / min )		3.18	4.57	5.61	6.54	7.37	8.05	8.78	9.36	9.93	10.4

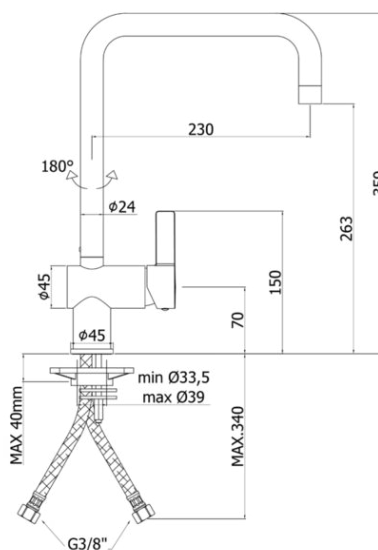
## DOCUMENTI TECNICITECHNICAL DOCUMENTS



ESPLOSO  
RICAMBI  
RO 987



# rock



- One-hole sink mixer complete with:
- aerator M22x1
- set of 2 stainless steel hoses 3/8"G
- One-hole sink mixer complete with:
- aerator M22x1
- set of 2 stainless steel hoses 3/8"G

**RO 980**  
 CR- Chrome | Chrome  
 ST- Steel looking finish | Steel looking finish

## ARTICOLO ARTICLE

- RO 980..**
- with swivelling spout
  - with swivelling spout

## RAPPORTO PROVA PORTATA FLOW RATE REPORT

	Uscita outlet	Pressione / Pressure ( bar )									
		0,5	1	1.5	2	2.5	3	3.5	4	4.5	5
Portata / Flow rate ( l / min )		6.22	8.99	11.01	12.78	14.32	15.7	17.02	18.27	19.43	20.5

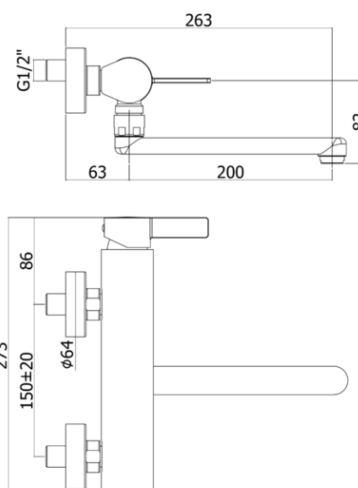
## DOCUMENTI TECNICITECHNICAL DOCUMENTS



ESPLOSO  
 RICAMBI  
 RO 980



# rock



- Wall sink mixer complete with:
- aerator M24x1
- 1/2" G connections

- Wall sink mixer complete with:
- aerator M24x1
- 1/2" G connections

## ARTICOLO ARTICLE

### RO 161..

- with swivel tube straight spout - l.200mm
- with swivel tube straight spout - l.200mm

### RO 161

CR- Chrome | Chrome

ST- Steel looking finish | Steel looking finish

## RAPPORTO PROVA PORTATA FLOW RATE REPORT

	Uscita outlet	Pressione / Pressure ( bar )									
		0,5	1	1.5	2	2.5	3	3.5	4	4.5	5
Portata / Flow rate ( l / min )		6.51	9.34	11.52	13.26	14.85	16.45	17.77	18.93	20.03	21.16

## DOCUMENTI TECNICI TECHNICAL DOCUMENTS



ESPLOSO  
RICAMBI  
RO 161

