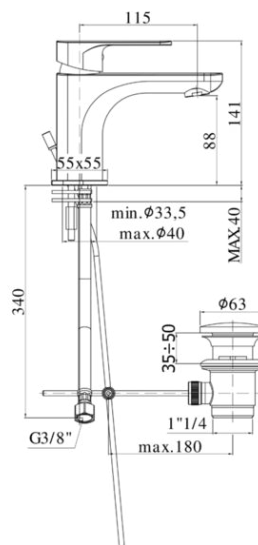


sly



- Wash basin mixer complete with:
- aerator M24x1
- set of 2 stainless steel hoses 3/8"G
- Wash basin mixer complete with:
- aerator M24x1
- set of 2 stainless steel hoses 3/8"G

- SY 075**
CR- Chrome | Chrome
- SY 071**
CR- Chrome | Chrome
- SY 071K**
CR- Chrome | Chrome

ARTICOLO ARTICLE

SY 075..

- with 1"1/4G pop up waste
- with 1"1/4G pop up waste

SY 071..

- without pop up waste
- without pop up waste

SY 071K..

- with 1"1/4G Clic-Clac press top waste
- with 1"1/4G Clic-Clac press top waste

RAPPORTO PROVA PORTATA FLOW RATE REPORT

	Uscita outlet	Pressione / Pressure (bar)									
		0,5	1	1,5	2	2,5	3	3,5	4	4,5	5
Portata / Flow rate (l / min)		4.86	7.16	8.84	10.21	11.48	12.59	13.65	14.62	15.54	16.44

DOCUMENTI TECNICITECHNICAL DOCUMENTS



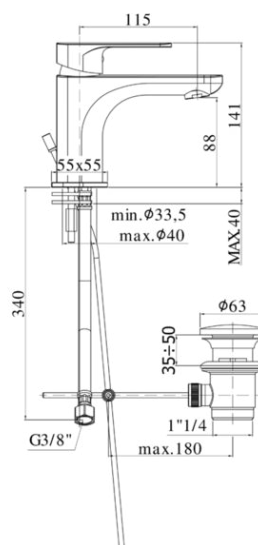
ESPLOSO
RICAMBI
SY 075

ESPLOSO
RICAMBI
SY 071

ESPLOSO
RICAMBI
SY 071K



sly



- Wash basin mixer complete with:
- Energy Saving cartridge
- aerator M24x1 with flow reducer
- set of 2 stainless steel hoses 3/8"G

- Wash basin mixer complete with:
- Energy Saving cartridge
- aerator M24x1 with flow reducer
- set of 2 stainless steel hoses 3/8"G

ARTICOLO ARTICLE

SY 075...-ES

- with 1"1/4G pop up waste
- with 1"1/4G pop up waste

SY 071...-ES

- without pop up waste
- without pop up waste

SY 075...-ES

CR- Chrome | Chrome

SY 071...-ES

CR- Chrome | Chrome

TECNOLOGIE TECHNOLOGIES



ENERGY SAVING

DOCUMENTI TECNICITECHNICAL DOCUMENTS

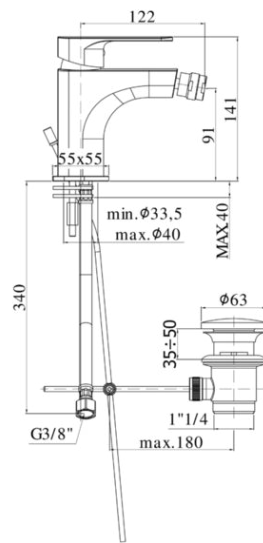


ESPLOSO
RICAMBI
SY 075..-ES

ESPLOSO
RICAMBI
SY 071..-ES



sly



- Bidet mixer complete with:
- with swivel joint and aerator M24x1
- set of 2 stainless steel hoses 3/8"G
- Bidet mixer complete with:
- with swivel joint and aerator M24x1
- set of 2 stainless steel hoses 3/8"G

- SY 135**
CR- Chrome | Chrome
- SY 131**
CR- Chrome | Chrome
- SY 131K**
CR- Chrome | Chrome

ARTICOLO ARTICLE

SY 135..

- with 1"1/4G pop up waste
- with 1"1/4G pop up waste

SY 131..

- without pop up waste
- without pop up waste

SY 131K..

- with 1"1/4G Clic-Clac press top waste
- with 1"1/4G Clic-Clac press top waste

RAPPORTO PROVA PORTATA FLOW RATE REPORT

	Uscita outlet	Pressione / Pressure (bar)									
		0,5	1	1.5	2	2.5	3	3.5	4	4.5	5
Portata / Flow rate (l / min)		4.78	6.85	8.38	9.72	10.89	11.98	12.93	13.83	14.69	15.56

DOCUMENTI TECNICITECHNICAL DOCUMENTS



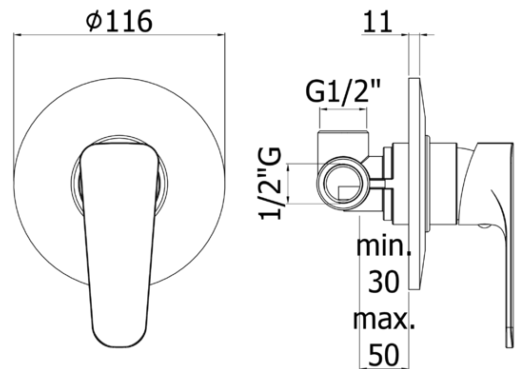
ESPLOSO
RICAMBI
SY 135

ESPLOSO
RICAMBI
SY 131

ESPLOSO
RICAMBI
SY 131K



sly



- Concealed shower mixer (1 outlet) complete with:
- metal wall plate Ø116mm
- 1/2\"G connections
- Concealed shower mixer (1 outlet) complete with:
- metal wall plate Ø116mm
- 1/2\"G connections

ARTICOLO ARTICLE

SY 010..

- without diverter
- without diverter

ZPRO 013..

- Extension for art. 010
- H43mm

RAPPORTO PROVA PORTATA FLOW RATE REPORT

	Uscita outlet	Pressione / Pressure (bar)									
		0,5	1	1.5	2	2.5	3	3.5	4	4.5	5
Portata / Flow rate (l / min)		8.9	12.6	15.2	17.6	19.5	21.6	23.3	24.9	26.4	28

DOCUMENTI TECNICITECHNICAL DOCUMENTS



ESPLOSO
RICAMBI
SY 010

SY 010

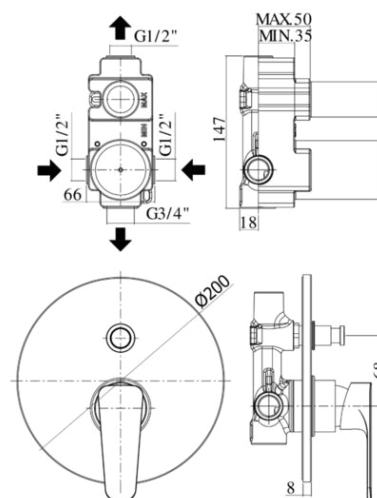
CR- Chrome | Chrome

ZPRO 013

- CR- Chrome



sly



-
- Concealed shower mixer (2 outlets) complete with:
 - metal wall plate Ø200mm
 - 1/2" G hot/cold and upper connections - 3/4" G lower connection
- Concealed shower mixer (2 outlets) complete with:
 - metal wall plate Ø200mm
 - 1/2" G hot/cold and upper connections - 3/4" G lower connection

ARTICOLO ARTICLE

SY 015..

- with push diverter
- with push diverter

ZPRO 028..

- Extension with diverter for art. 015
- H30mm

SY 015

CR- Chrome | Chrome

ZPRO 028

- CR- Chrome

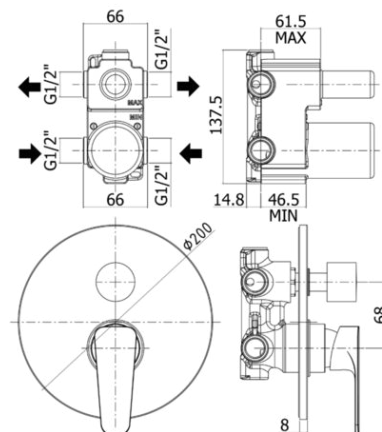
DOCUMENTI TECNICITECHNICAL DOCUMENTS



ESPLOSO
RICAMBI
SY 015



sly



- Concealed shower mixer (2 outlets) complete with:
- metal wall plate Ø200mm
- 1/2"G connections

- Concealed shower mixer (2 outlets) complete with:
- metal wall plate Ø200mm
- 1/2"G connections

ARTICOLO ARTICLE

SY 018..

- with diverter cartridge (2 outlets + 1 combined position)
- with diverter cartridge (2 outlets + 1 combined position)

ZPRO 068..

- Extension with diverter for artt. 018-019
- H30mm

SY 018

CR- Chrome | Chrome

ZPRO 068

- CR- Chrome

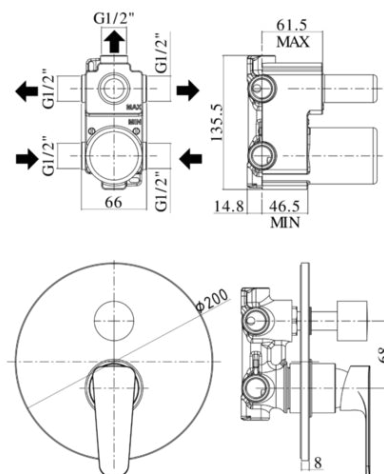
DOCUMENTI TECNICITECHNICAL DOCUMENTS



ESPLOSO
RICAMBI
SY 018



sly



- Concealed shower mixer (3 outlets) complete with:
- metal wall plate Ø200mm
- 1/2" G connections

- Concealed shower mixer (3 outlets) complete with:
- metal wall plate Ø200mm
- 1/2" G connections

ARTICOLO ARTICLE

SY 019..

- with diverter cartridge (3 outlets + 3 combined positions)
- with diverter cartridge (3 outlets + 3 combined positions)

ZPRO 068..

- Extension with diverter for artt. 018-019
- H30mm

RAPPORTO PROVA PORTATA FLOW RATE REPORT

		Pressione / Pressure (bar)									
		Uscita outlet	0,5	1	1.5	2	2.5	3	3.5	4	4.5
Portata / Flow rate (l / min)	uscita sopra - up outlet	5.66	7.94	9.77	11.22	12.59	13.78	14.86	15.89	16.83	17.81
	uscita destra - right outlet	5.53	7.73	9.52	11.08	12.37	13.59	14.65	15.7	16.65	17.59
	uscita sinistra - left outlet	5.6	7.76	9.49	11.07	12.3	13.49	14.52	15.54	16.43	17.37

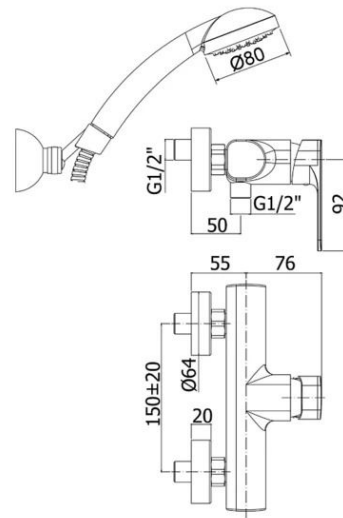
DOCUMENTI TECNICI TECHNICAL DOCUMENTS



ESPLOSO
RICAMBI
SY 019



sly



- Shower mixer complete with:
• set of 2 S-wall-unions 1/2"x3/4"G and wall-plates
- Shower mixer complete with:
• set of 2 S-wall-unions 1/2"x3/4"G and wall-plates

- SY 168D**
CR- Chrome | Chrome
- SY 168**
CR- Chrome | Chrome

ARTICOLO ARTICLE

SY 168D..

- with standard swivelling wall bracket
- with Trieste Bis hand-shower and flexible hose
- with standard swivelling wall bracket
- with Trieste Bis hand-shower and flexible hose

SY 168..

- without shower set
- with 1/2"G lower connection
- without shower set
- with 1/2"G lower connection

RAPPORTO PROVA PORTATA FLOW RATE REPORT

	Uscita outlet	Pressione / Pressure (bar)									
		0,5	1	1.5	2	2.5	3	3.5	4	4.5	5
Portata / Flow rate (l / min)		7.95	11.44	14.12	16.38	18.35	20.14	21.76	23.28	24.64	25.92

DOCUMENTI TECNICITECHNICAL DOCUMENTS

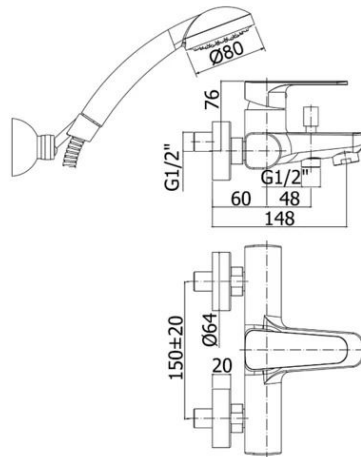


ESPLOSO
RICAMBI
SY 168D

ESPLOSO
RICAMBI
SY 168



sly



- Bath/shower mixer with diverter complete with:
- aerator M28x1
- set of 2 S-wall-unions 1/2"x3/4"G and wall-plates
- Bath/shower mixer with diverter complete with:
- aerator M28x1
- set of 2 S-wall-unions 1/2"x3/4"G and wall-plates

- SY 023**
CR- Chrome | Chrome
- SY 024**
CR- Chrome | Chrome
- SY 026**
CR- Chrome | Chrome
- SY 022**
CR- Chrome | Chrome

ARTICOLO ARTICLE

SY 023..

- with standard swivelling wall bracket
- with Trieste Bis hand-shower and flexible hose
- with standard swivelling wall bracket
- with Trieste Bis hand-shower and flexible hose

SY 024..

- with Stick wall bracket
- with Lance hand-shower and flexible hose
- with Stick wall bracket
- with Lance hand-shower and flexible hose

SY 026..

- with ABS fixed wall bracket
- with Trieste Bis hand-shower and flexible hose
- with ABS fixed wall bracket
- with Trieste Bis hand-shower and flexible hose

SY 022..

- without shower set
- without shower set

RAPPORTO PROVA PORTATA FLOW RATE REPORT

		Pressione / Pressure (bar)									
		Uscita outlet	0,5	1	1.5	2	2.5	3	3.5	4	4.5
Portata / Flow rate (l / min)	bocca - spout	7.6	10.87	13.3	15.48	17.27	18.94	20.43	21.86	23.31	24.53
	doccia - hand shower	7.09	9.91	12.03	14.07	15.83	17.48	18.98	20.43	21.81	23.14



DOCUMENTI TECNICI TECHNICAL DOCUMENTS



ESPLOSO
RICAMBI
SY 023

ESPLOSO
RICAMBI
SY 024

ESPLOSO
RICAMBI
SY 026

ESPLOSO
RICAMBI
SY 022

