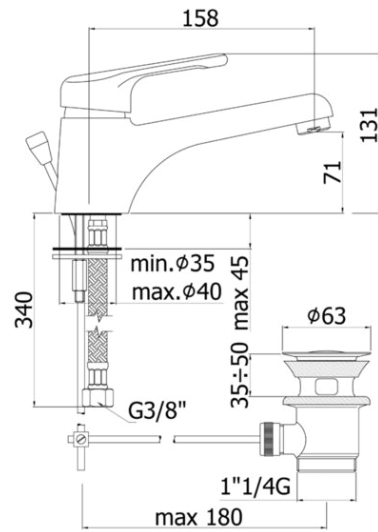


nettuno



- Wash basin mixer with long spout complete with:
 - aerator M24x1
 - set of 2 stainless steel hoses 3/8"G
- Wash basin mixer with long spout complete with:
 - aerator M24x1
 - set of 2 stainless steel hoses 3/8"G

- NT 085**
CR- Chrome | Chrome
- NT 081**
CR- Chrome | Chrome
- NT 080**
CR- Chrome | Chrome

ARTICOLO ARTICLE

NT 085..

- with 1"1/4G pop up waste
- without chain holder
- with 1"1/4G pop up waste
- without chain holder

NT 081..

- without pop up waste
- with chain holder
- without pop up waste
- with chain holder

NT 080..

- with 1"G pop up waste
- without chain holder
- with 1"G pop up waste
- without chain holder

RAPPORTO PROVA PORTATA FLOW RATE REPORT

	Uscita outlet	Pressione / Pressure (bar)									
		0,5	1	1.5	2	2.5	3	3.5	4	4.5	5
Portata / Flow rate (l / min)		6.67	9.61	11.88	13.82	15.46	17.05	18.5	19.77	20.99	22.22

DOCUMENTI TECNICI TECHNICAL DOCUMENTS



ESPLOSO
RICAMBI
NT 085



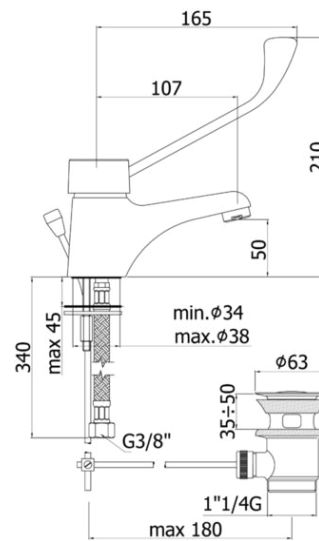
ESPLOSO
RICAMBI
NT 081



ESPLOSO
RICAMBI
NT 080



nettuno



- Wash basin mixer with clinical lever complete with:
 - aerator M24x1
 - set of 2 stainless steel hoses 3/8"G
- Wash basin mixer with clinical lever complete with:
 - aerator M24x1
 - set of 2 stainless steel hoses 3/8"G

- NT 305**
CR- Chrome | Chrome
- NT 301**
CR- Chrome | Chrome

ARTICOLO ARTICLE

NT 305..

- with 1"1/4G pop up waste
- without chain holder
- with 1"1/4G pop up waste
- without chain holder

NT 301..

- without pop up waste
- with chain holder
- without pop up waste
- with chain holder

RAPPORTO PROVA PORTATA FLOW RATE REPORT

	Uscita outlet	Pressione / Pressure (bar)									
		0,5	1	1.5	2	2.5	3	3.5	4	4.5	5
Portata / Flow rate (l / min)		7.43	10.6	12.95	14.99	16.76	18.38	19.88	21.21	22.6	23.79

DOCUMENTI TECNICITECHNICAL DOCUMENTS

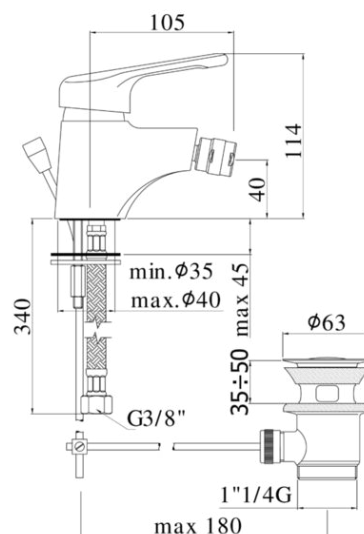


ESPLOSO
RICAMBI
NT 305

ESPLOSO
RICAMBI
NT 301



nettuno



- Bidet mixer complete with:
- with swivel joint and aerator M24x1
- set of 2 stainless steel hoses 3/8" G
- Bidet mixer complete with:
- with swivel joint and aerator M24x1
- set of 2 stainless steel hoses 3/8" G

- NT 135**
CR- Chrome | Chrome
- NT 131**
CR- Chrome | Chrome
- NT 130**
CR- Chrome | Chrome

ARTICOLO ARTICLE

- NT 135..**
- with 1"1/4G pop up waste
 - without chain holder
 - with 1"1/4G pop up waste
 - without chain holder

- NT 131..**
- without pop up waste
 - with chain holder
 - without pop up waste
 - with chain holder

- NT 130..**
- with 1"G pop up waste
 - without chain holder
 - with 1"G pop up waste
 - without chain holder

RAPPORTO PROVA PORTATA FLOW RATE REPORT

	Uscita outlet	Pressione / Pressure (bar)									
		0,5	1	1.5	2	2.5	3	3.5	4	4.5	5
Portata / Flow rate (l / min)		6.37	9.09	11.28	13.06	14.68	16.13	17.51	18.8	19.96	21.15

DOCUMENTI TECNICI TECHNICAL DOCUMENTS



ESPLOSO
RICAMBI
NT 135



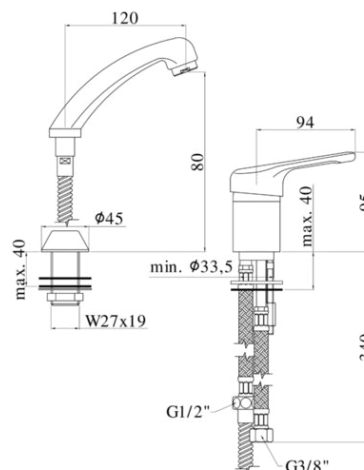
ESPLOSO
RICAMBI
NT 131



ESPLOSO
RICAMBI
NT 130



nettuno



- Hairdresser mixer complete with:
- 1/2"-M15x1 / L.1500mm nylon hose with ecological weight
- set of 3 stainless steel hoses 3/8"G

NT 087
CR- Chrome | Chrome

- Hairdresser mixer complete with:
- 1/2"-M15x1 / L.1500mm nylon hose with ecological weight
- set of 3 stainless steel hoses 3/8"G

ARTICOLO ARTICLE

NT 087..

- with (single spray) pull out hand-shower
- with (single spray) pull out hand-shower

RAPPORTO PROVA PORTATA FLOW RATE REPORT

	Uscita outlet	Pressione / Pressure (bar)									
		0,5	1	1.5	2	2.5	3	3.5	4	4.5	5
Portata / Flow rate (l / min)		4.33	6.18	7.71	9	10.14	11.16	12.12	13.05	13.91	14.74

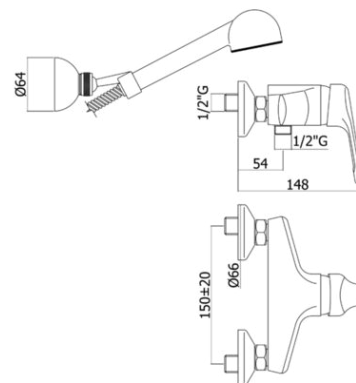
DOCUMENTI TECNICITECHNICAL DOCUMENTS



ESPLOSO
RICAMBI
NT 087



nettuno



- Shower mixer complete with:
- set of 2 S-wall-unions 1/2"x3/4"G and wall-plates
- Shower mixer complete with:
- set of 2 S-wall-unions 1/2"x3/4"G and wall-plates

- NT 168D**
- CR- Chrome | Chrome
- NT 168**
- CR- Chrome | Chrome

ARTICOLO ARTICLE

NT 168D..

- with standard swivelling wall bracket
- with Trieste Bis hand-shower and flexible hose
- with standard swivelling wall bracket
- with Trieste Bis hand-shower and flexible hose

NT 168..

- without shower set
- with 1/2"G lower connection
- without shower set
- with 1/2"G lower connection

RAPPORTO PROVA PORTATA FLOW RATE REPORT

	Uscita outlet	Pressione / Pressure (bar)									
		0,5	1	1.5	2	2.5	3	3.5	4	4.5	5
Portata / Flow rate (l / min)		12.37	17.43	21.63	25.09	27.93	30.62	32.97	35.35	37.26	39.27

DOCUMENTI TECNICITECHNICAL DOCUMENTS

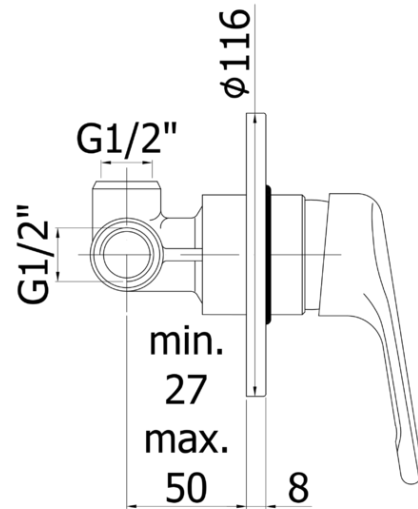


ESPLOSO
RICAMBI
NT 168D

ESPLOSO
RICAMBI
NT 168



nettuno



- Concealed shower mixer (1 outlet) complete with:
- metal wall plate Ø116mm
- 1/2" G connections
- Concealed shower mixer (1 outlet) complete with:
- metal wall plate Ø116mm
- 1/2" G connections

ARTICOLO ARTICLE

NT 010..

- without diverter
- without diverter

ZPRO 002..

- Extension for art. 010
- H41mm

RAPPORTO PROVA PORTATA FLOW RATE REPORT

	Uscita outlet	Pressione / Pressure (bar)									
		0,5	1	1,5	2	2,5	3	3,5	4	4,5	5
Portata / Flow rate (l / min)		10.5	14.8	18.2	21	23.6	25.8	27.8	29.6	31.4	33

DOCUMENTI TECNICI TECHNICAL DOCUMENTS



ESPLOSO
RICAMBI
NT 010

NT 010

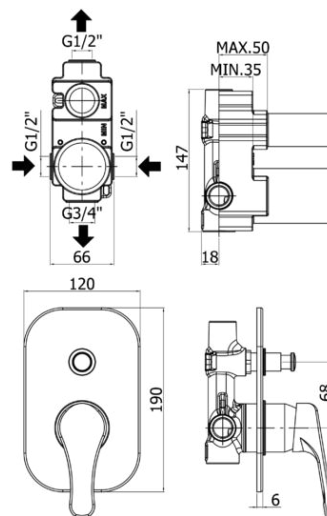
CR- Chrome | Chrome

ZPRO 002

- CR- Chrome



nettuno



- Concealed shower mixer (2 outlets) complete with:
- metal wall plate 120x190 mm
- 1/2"G hot/cold and upper connections - 3/4"G lower connection
- Concealed shower mixer (2 outlets) complete with:
- metal wall plate 120x190 mm
- 1/2"G hot/cold and upper connections - 3/4"G lower connection

- NT 015**
CR- Chrome | Chrome
ZPRO 014
• CR- Chrome

ARTICOLO ARTICLE

NT 015..

- with push diverter
- with push diverter

ZPRO 014..

- Extension with diverter for art. 015
- H30mm

RAPPORTO PROVA PORTATA FLOW RATE REPORT

		Pressione / Pressure (bar)									
		Uscita outlet	0,5	1	1.5	2	2.5	3	3.5	4	4.5
Portata / Flow rate (l / min)	uscita sopra - up outlet	9.37	13.13	16.03	18.55	20.7	22.72	24.15	26.17	27.46	29.12
	uscita sotto - under outlet	7.69	10.65	12.96	14.94	16.65	18.25	19.63	21.03	22.28	23.48

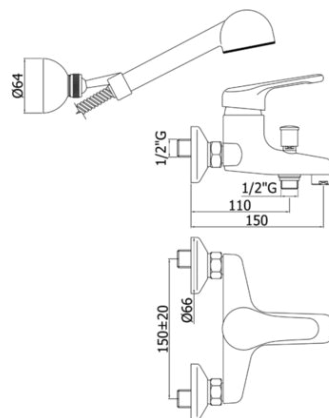
DOCUMENTI TECNICITECHNICAL DOCUMENTS



ESPLOSO
RICAMBI
NT 015



nettuno



- Bath/shower mixer with diverter complete with:
- aerator M28x1
- set of 2 S-wall-unions 1/2"x3/4"G and wall-plates
- Bath/shower mixer with diverter complete with:
- aerator M28x1
- set of 2 S-wall-unions 1/2"x3/4"G and wall-plates

- NT 023**
CR- Chrome | Chrome
- NT 026**
CR- Chrome | Chrome
- NT 022**
CR- Chrome | Chrome

ARTICOLO ARTICLE

NT 023..

- with standard swivelling wall bracket
- with hand-shower and flexible hose
- with standard swivelling wall bracket
- with hand-shower and flexible hose

NT 026..

- with ABS fixed wall bracket
- with hand-shower and flexible hose
- with ABS fixed wall bracket
- with hand-shower and flexible hose

NT 022..

- without shower set
- without shower set

RAPPORTO PROVA PORTATA FLOW RATE REPORT

		Pressione / Pressure (bar)										
		Uscita outlet	0,5	1	1.5	2	2.5	3	3.5	4	4.5	5
Portata / Flow rate (l / min)			7.35	10.53	12.89	14.93	16.68	18.3	19.77	21.17	22.47	23.73

DOCUMENTI TECNICITECHNICAL DOCUMENTS



ESPLOSO
RICAMBI
NT 023



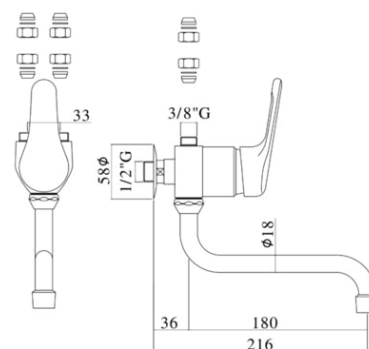
ESPLOSO
RICAMBI
NT 026



ESPLOSO
RICAMBI
NT 022



nettuno



-
- Water heater wall sink mixer complete with:
 - with swivel tube spout
 - low pressure anti-splash M22x1

- Water heater wall sink mixer complete with:
- with swivel tube spout
- low pressure anti-splash M22x1

ARTICOLO ARTICLE

NT 201..

- low pressure
- low pressure

NT 201

CR- Chrome | Chrome

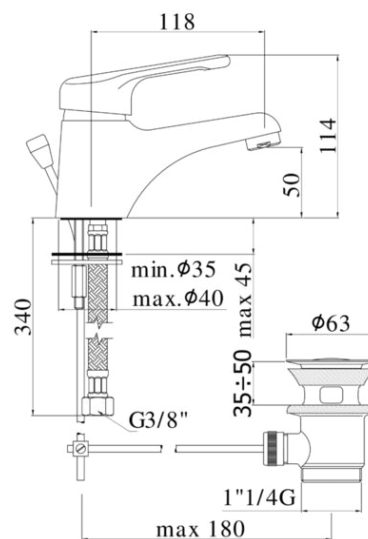
DOCUMENTI TECNICITECHNICAL DOCUMENTS



ESPLOSO
RICAMBI
NT 201



nettuno



- Wash basin mixer complete with:
- aerator M24x1
- set of 2 stainless steel hoses 3/8"G
- Wash basin mixer complete with:
- aerator M24x1
- set of 2 stainless steel hoses 3/8"G

- NT 075**
CR- Chrome | Chrome
- NT 071**
CR- Chrome | Chrome
- NT 070**
CR- Chrome | Chrome

ARTICOLO ARTICLE

NT 075..

- with 1"1/4G pop up waste
- without chain holder
- with 1"1/4G pop up waste
- without chain holder

NT 071..

- without pop up waste
- with chain holder
- without pop up waste
- with chain holder

NT 070..

- with 1"G pop up waste
- without chain holder
- with 1"G pop up waste
- without chain holder

RAPPORTO PROVA PORTATA FLOW RATE REPORT

	Uscita outlet	Pressione / Pressure (bar)									
		0,5	1	1.5	2	2.5	3	3.5	4	4.5	5
Portata / Flow rate (l / min)		7.43	10.6	12.95	14.99	16.76	18.38	19.88	21.21	22.6	23.79

DOCUMENTI TECNICI TECHNICAL DOCUMENTS



ESPLOSO
RICAMBI
NT 075

ESPLOSO
RICAMBI
NT 071

ESPLOSO
RICAMBI
NT 070

