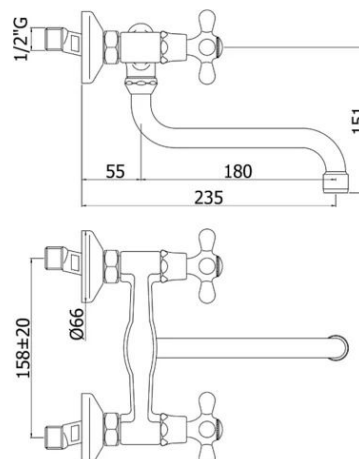


# iris-viola



- Wall sink mixer bridge model with swivelling spout complete with:
- aerator M22x1
- set of 2 S-wall-unions 1/2"x3/4"G and wall-plates
- Wall sink mixer bridge model with swivelling spout complete with:
- aerator M22x1
- set of 2 S-wall-unions 1/2"x3/4"G and wall-plates

## IRV 161

- CR- Chrome | Chrome
- CO- Chrome + gold finish | Chrome + gold finish
- CC- colour + chrome | colour + chrome
- CG- Colour (glossy white or black) + gold finish | Colour (glossy white or black) + gold finish
- GF- Gold finish | Gold finish
- BR- Bronze | Bronze
- RM- Copper | Copper

## ARTICOLO ARTICLE

### IRV 161.. / VLV 161..

- with "S" spout - Ø18x180mm
- with "S" spout - Ø18x180mm

## RAPPORTO PROVA PORTATA FLOW RATE REPORT

	Uscita outlet	Pressione / Pressure ( bar )									
		0,5	1	1.5	2	2.5	3	3.5	4	4.5	5
Portata / Flow rate ( l / min )		10	13.59	16.5	18.91	20.97	22.91	24.76	26.38	27.87	29.41

## DOCUMENTI TECNICITECHNICAL DOCUMENTS

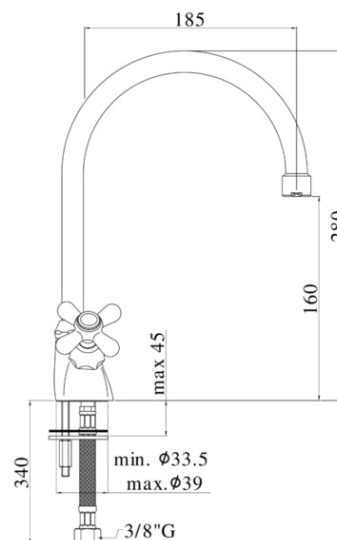


ESPLOSO  
RICAMBI  
IRV 161

ESPLOSO  
RICAMBI  
VLV 161



# iris-viola



- One-hole sink mixer with swivelling spout complete with:
  - aerator M22x1
  - set of 2 stainless steel hoses 3/8"G
- One-hole sink mixer with swivelling spout complete with:
  - aerator M22x1
  - set of 2 stainless steel hoses 3/8"G

## IRV 180

- CR- Chrome | Chrome
- CO- Chrome + gold finish | Chrome + gold finish
- CC- colour + chrome | colour + chrome
- CG- Colour (glossy white or black) + gold finish | Colour (glossy white or black) + gold finish
- BR- Bronze | Bronze
- RM- Copper | Copper
- GF- Gold finish | Gold finish

## ARTICOLO ARTICLE

### IRV 180.. / VLV 180..

- with spout - Ø18x185mm
- with spout - Ø18x185mm

## RAPPORTO PROVA PORTATA FLOW RATE REPORT

	Uscita outlet	Pressione / Pressure ( bar )									
		0,5	1	1.5	2	2.5	3	3.5	4	4.5	5
Portata / Flow rate (l / min )		6.57	9.45	11.74	13.64	15.32	16.85	18.25	19.62	20.84	22

## DOCUMENTI TECNICITECHNICAL DOCUMENTS

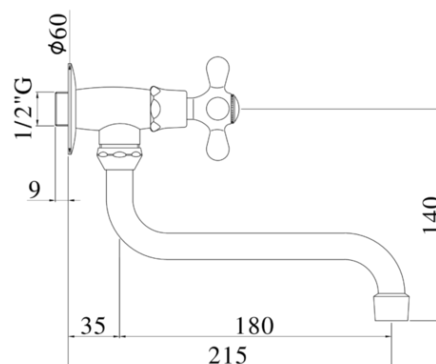


ESPLOSO  
RICAMBI  
IRV 180

ESPLOSO  
RICAMBI  
VLV 180



# iris-viola



- Wall sink with swivelling spout complete with:
- aerator M22x1
- wall plate - Ø60mm
- 1/2"G connection
- Wall sink with swivelling spout complete with:
- aerator M22x1
- wall plate - Ø60mm
- 1/2"G connection

## IRV 200

- CR- Chrome | Chrome
- CO- Chrome + gold finish | Chrome + gold finish
- CC- colour + chrome | colour + chrome
- CG- Colour (glossy white or black) + gold finish | Colour (glossy white or black) + gold finish
- BR- Bronze | Bronze
- RM- Copper | Copper
- GF- Gold finish | Gold finish

## ARTICOLO ARTICLE

### IRV 200.. / VLV 200..

- with "S" spout - Ø18x180mm
- with "S" spout - Ø18x180mm

## RAPPORTO PROVA PORTATA FLOW RATE REPORT

	Uscita outlet	Pressione / Pressure ( bar )									
		0,5	1	1.5	2	2.5	3	3.5	4	4.5	5
Portata / Flow rate ( l / min )		7.85	10.73	13.04	14.97	16.6	18.14	19.61	20.96	22.2	23.38

## DOCUMENTI TECNICITECHNICAL DOCUMENTS



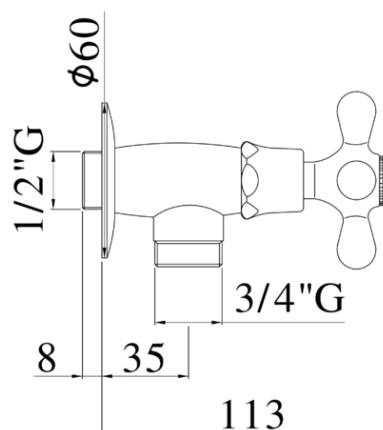
ESPLOSO  
RICAMBI  
IRV 200



ESPLOSO  
RICAMBI  
VLV 200



# iris-viola



- Wall sink tap complete with:
- wall plate - Ø60mm
- Wall sink tap complete with:
- wall plate - Ø60mm

## IRV 206

- CR- Chrome | Chrome
- CO- Chrome + gold finish | Chrome + gold finish
- CC- colour + chrome | colour + chrome
- CG- Colour (glossy white or black) + gold finish | Colour (glossy white or black) + gold finish
- BR- Bronze | Bronze
- RM- Copper | Copper
- GF- Gold finish | Gold finish

## ARTICOLO ARTICLE

### IRV 206.. / VLV 206..

- with 1/2" wall connection
- with 3/4"G lower connection
- with 1/2" wall connection
- with 3/4"G lower connection

## RAPPORTO PROVA PORTATA FLOW RATE REPORT

	Uscita outlet	Pressione / Pressure ( bar )									
		0,5	1	1.5	2	2.5	3	3.5	4	4.5	5
Portata / Flow rate ( l / min )		11.64	16.7	20.68	24.04	26.83	29.57	31.91	34.18	36.25	38.28

## DOCUMENTI TECNICITECHNICAL DOCUMENTS



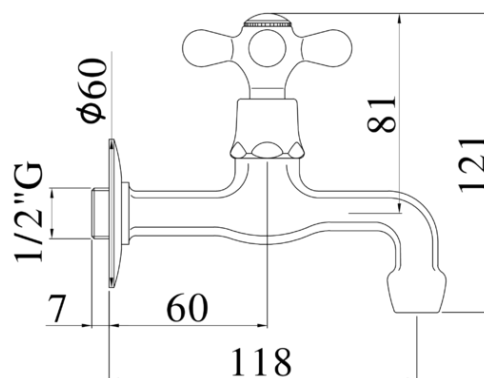
ESPLOSO  
RICAMBI  
IRV 206



ESPLOSO  
RICAMBI  
VLV 206



# iris-viola



- Long wall tap complete with:
- wall plate - Ø60mm
- 1/2"G connection
- Long wall tap complete with:
- wall plate - Ø60mm
- 1/2"G connection

## IRV 209

- CR- Chrome | Chrome
- CO- Chrome + gold finish | Chrome + gold finish
- CC- colour + chrome | colour + chrome
- CG- Colour (glossy white or black) + gold finish | Colour (glossy white or black) + gold finish
- BR- Bronze | Bronze
- RM- Copper | Copper
- GF- Gold finish | Gold finish

## ARTICOLO ARTICLE

### IRV 209.. / VLV 209..

- without anti-splash
- without anti-splash

## RAPPORTO PROVA PORTATA FLOW RATE REPORT

	Uscita outlet	Pressione / Pressure ( bar )									
		0,5	1	1.5	2	2.5	3	3.5	4	4.5	5
Portata / Flow rate (l / min )		10.8	15.33	18.87	22.02	24.6	27.18	29.49	31.67	33.67	35.5

## DOCUMENTI TECNICITECHNICAL DOCUMENTS

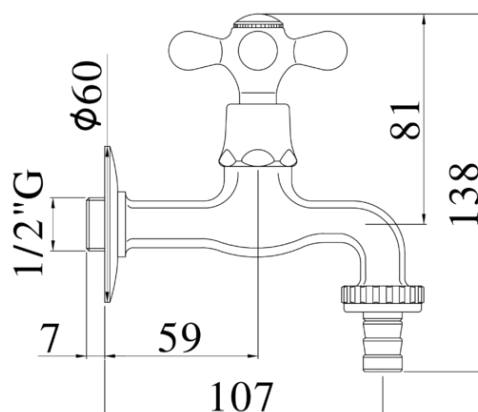


ESPLOSO  
RICAMBI  
IRV 209

ESPLOSO  
RICAMBI  
VLV 209



# iris-viola



- Wall tap complete with:  
• wall plate - Ø60mm
- Wall tap complete with:  
• wall plate - Ø60mm

## IRV 211

- CR- Chrome | Chrome
- CO- Chrome + gold finish | Chrome + gold finish
- CC- colour + chrome | colour + chrome
- CG- Colour (glossy white or black) + gold finish | Colour (glossy white or black) + gold finish
- BR- Bronze | Bronze
- RM- Copper | Copper
- GF- Gold finish | Gold finish

## ARTICOLO ARTICLE

### IRV 211.. / VLV 211..

- with hose connection
- with 1/2" G x 3/4" G connections
- with hose connection
- with 1/2" G x 3/4" G connections

## RAPPORTO PROVA PORTATA FLOW RATE REPORT

		Pressione / Pressure ( bar )									
		Uscita outlet	0,5	1	1.5	2	2.5	3	3.5	4	4.5
Portata / Flow rate ( l / min )		12.23	17.3	21.49	24.83	27.76	30.5	33.03	35.38	37.47	39.55

## DOCUMENTI TECNICI TECHNICAL DOCUMENTS

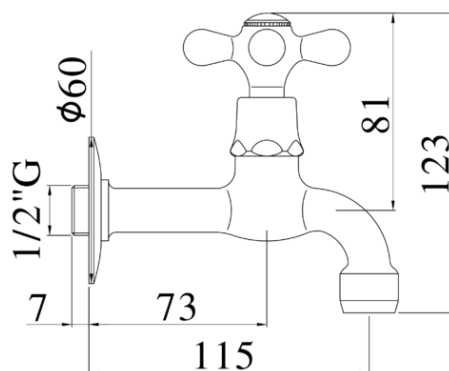


ESPLOSO  
RICAMBI  
IRV 211

ESPLOSO  
RICAMBI  
VLV 211



# iris-viola



- Long wall tap complete with:
- wall plate - Ø60mm
- 1/2"G connection
- Long wall tap complete with:
- wall plate - Ø60mm
- 1/2"G connection

## IRV 213

- CR- Chrome | Chrome
- CO- Chrome + gold finish | Chrome + gold finish
- CC- colour + chrome | colour + chrome
- CG- Colour (glossy white or black) + gold finish | Colour (glossy white or black) + gold finish
- BR- Bronze | Bronze
- RM- Copper | Copper
- GF- Gold finish | Gold finish

## ARTICOLO ARTICLE

### IRV 213.. / VLV 213..

- with aerator M22x1
- with aerator M22x1

## RAPPORTO PROVA PORTATA FLOW RATE REPORT

	Uscita outlet	Pressione / Pressure ( bar )									
		0,5	1	1.5	2	2.5	3	3.5	4	4.5	5
Portata / Flow rate ( l / min )		10.02	13.97	17.35	20.21	22.53	24.61	26.68	28.53	30.3	31.98

## DOCUMENTI TECNICITECHNICAL DOCUMENTS



ESPLOSO  
RICAMBI  
IRV 213



ESPLOSO  
RICAMBI  
VLV 213

