

Water Drop

➔ **FLAMINIA.**

design **LUCA CIMARRA**

2005

DR80 Water Drop 80

Laid on or built-in in the floor shower tray 80x80 cm
(ø 90mm drainage system not included)

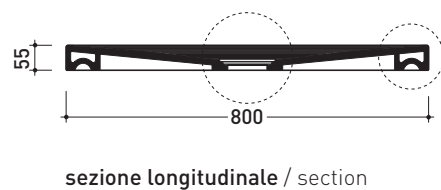
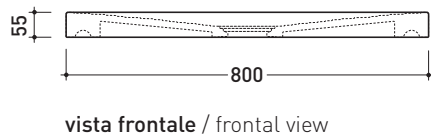
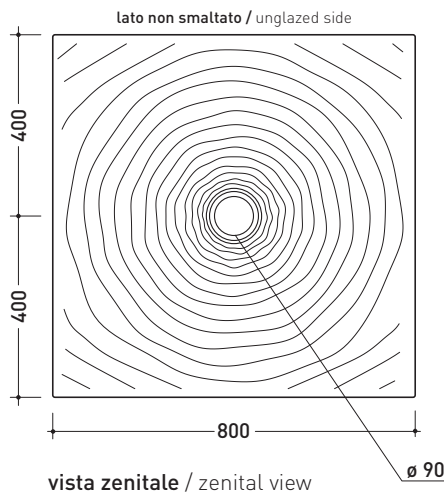
Complements: **BAMB00 composable shower box**
Line taps shower: ONE - NOKÉ - SI - FOLD - X1
Line accessories: TWO - HOOP - NOKÉ - FOLD

Technical accessories: **drainage system with CHROME cover ø 90mm (PLFR)**
drainage system with CERAMIC cover ø 90mm (PLFC)

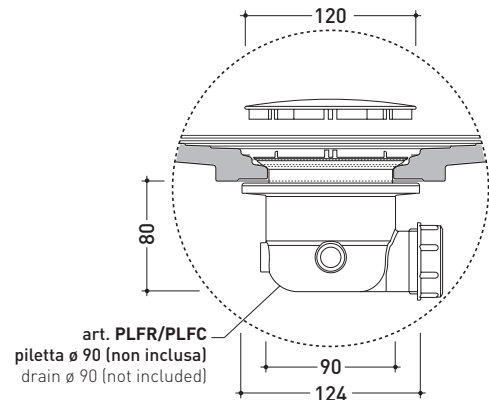
Package dim. **80,5 x 55 x 83 cm** | Weight **33 kg** | Pz. Pallet n° **10**



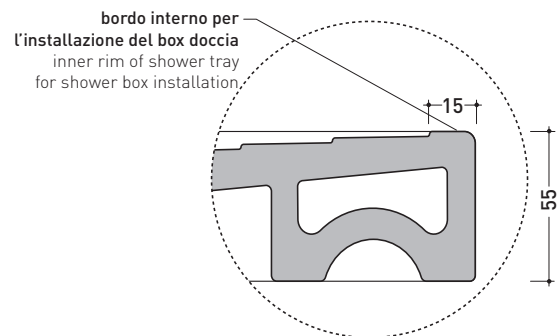
CE UNI EN 14527 Dop-No14527



PILETTA CONSIGLIATA / SUGGESTED DRAIN



Piletta sifonata / Drainage
Portata / Flow rate: **0,52 l/sec** (EN 274 >0,4 l/sec)



dettaglio del bordo / shower tray rim detail

sizes in mm

Please consider a 2% tolerance on indicated measurements

CERAMIC: glossy finish



matt finish



<http://www.ceramicaflaminia.it/en/products/329-water-drop>

©ceramicaflaminiaspa - All rights reserved. Unauthorized copying, publication, reproduction as well as partial reproduction are prohibited

may 2019



Water Drop

➔ **FLAMINIA.**

design **LUCA CIMARRA**

2005

DR8010 Water Drop 100x80

Laid on or built-in in the floor shower tray 80x100 cm
(ø 90mm drainage system not included)

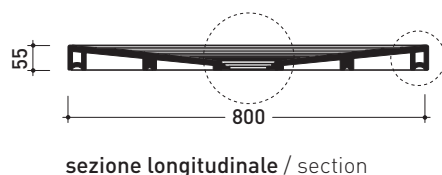
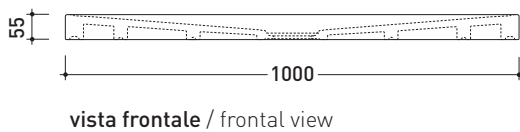
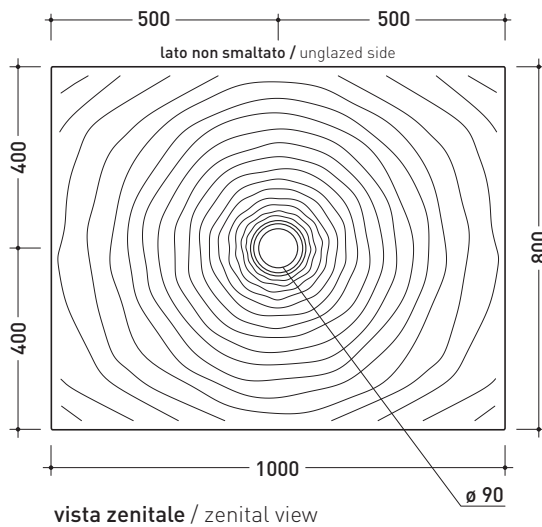
Complements: **BAMB00 composable shower box**
Line taps shower: ONE - NOKÉ - SI - FOLD - X1
Line accessories: TWO - HOOP - NOKÉ - FOLD

Technical accessories: **drainage system with CHROME cover ø 90mm (PLFR)**
drainage system with CERAMIC cover ø 90mm (PLFC)

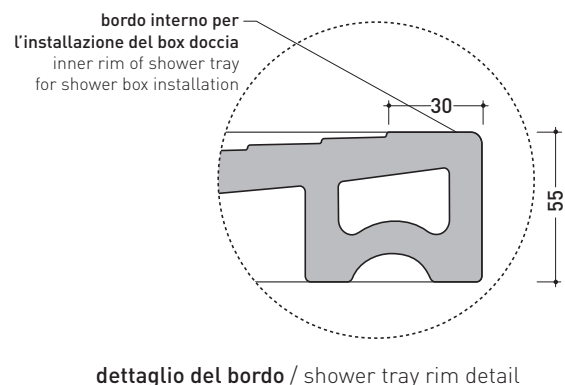
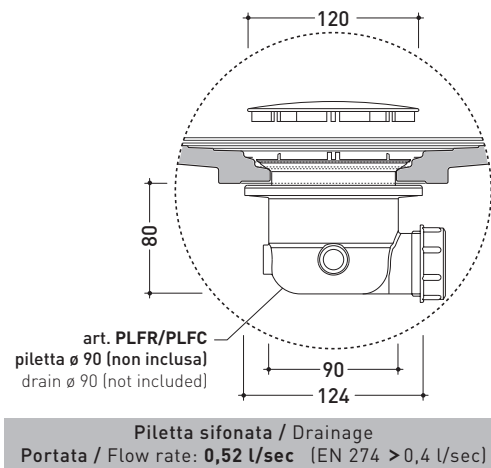
Dim. Imballo | Peso **39 kg** | Pz. Pallet n° **10**



CE UNI EN 14527 Dop-No14527



PILETTA CONSIGLIATA / SUGGESTED DRAIN



sizes in mm

Please consider a 2% tolerance on indicated measurements

CERAMIC: glossy finish



matt finish



<http://www.ceramicaflaminia.it/it/products/329-water-drop>

©ceramicaflaminiaspa - All rights reserved. Unauthorized copying, publication, reproduction as well as partial reproduction are prohibited

may 2019



Water Drop

➔ **FLAMINIA.**

design **LUCA CIMARRA**

2005

DR120 Water Drop 120

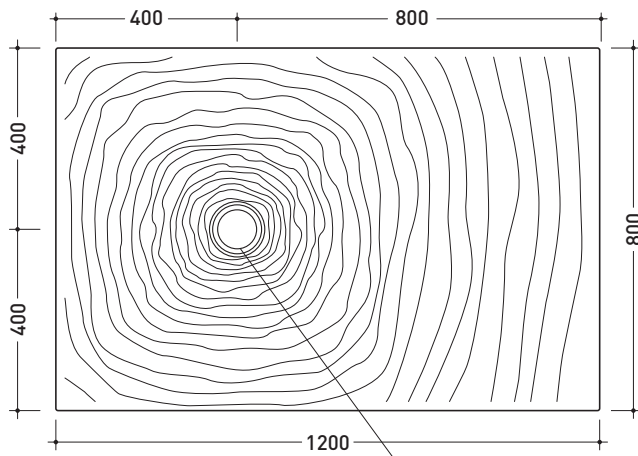
Laid on or built-in in the floor reversible shower tray 120x80 cm
(\varnothing 90mm drainage system not included)

Complements: **BAMB00 composable shower box**
Line taps shower: ONE - NOKÉ - SI - FOLD - X1
Line accessories: TWO - HOOP - NOKÉ - FOLD

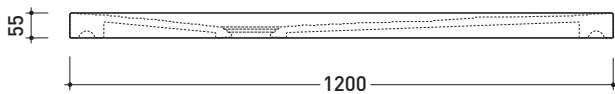
Technical accessories: drainage system with **CHROME** cover \varnothing 90mm (PLFR)
drainage system with **CERAMIC** cover \varnothing 90mm (PLFC)

Package dim. 120,5 x 55 x 83 cm | Weight 50 kg | Pz. Pallet n° 10

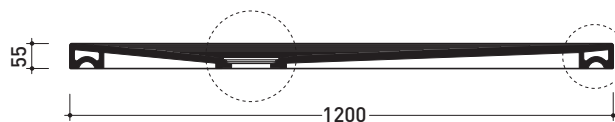
CE UNI EN 14527 Dop-No14527



vista zenitale / zenital view

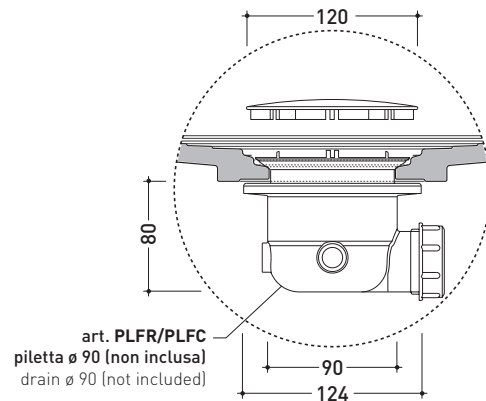


vista frontale / frontal view



sezione longitudinale / section

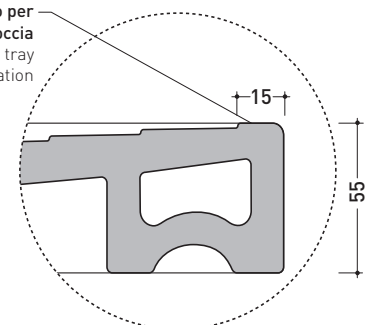
PILETTA CONSIGLIATA / SUGGESTED DRAIN



art. PLFR/PLFC
piletta \varnothing 90 (non inclusa)
drain \varnothing 90 (not included)

Piletta sifonata / Drainage
Portata / Flow rate: 0,52 l/sec (EN 274 > 0,4 l/sec)

bordo interno per
l'installazione del box doccia
inner rim of shower tray
for shower box installation



dettaglio del bordo / shower tray rim detail

sizes in mm

Please consider a 2% tolerance on indicated measurements

CERAMIC: glossy finish



matt finish



<http://www.ceramicaflaminia.it/en/products/329-water-drop>

©ceramicaflaminiaspa - All rights reserved. Unauthorized copying, publication, reproduction as well as partial reproduction are prohibited

may 2019



Water Drop

➔ **FLAMINIA.**

design **LUCA CIMARRA**

2016

DR140 Water Drop 140x80

Laid on or built-in in the floor shower tray 140x80 cm
(ø 90mm drainage system not included)

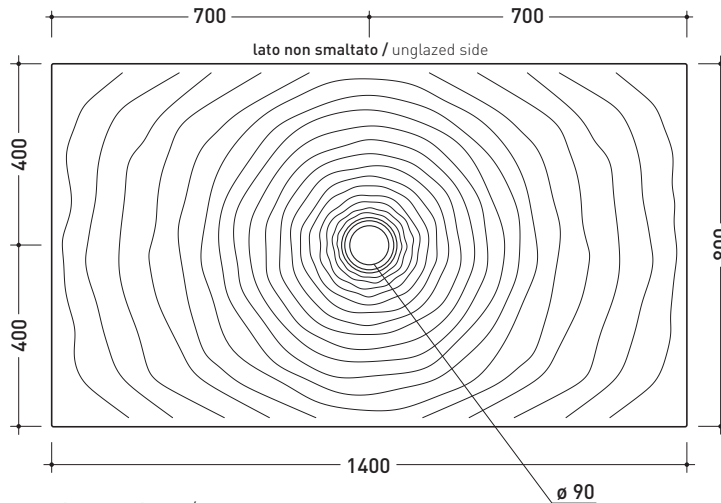
Complements: **BAMB00 composable shower box**
Line taps shower: ONE - NOKÉ - SI - FOLD - X1
Line accessories: TWO - HOOP - NOKÉ - FOLD

Technical accessories: **drainage system with CHROME cover ø 90mm (PLFR)**
drainage system with CERAMIC cover ø 90mm (PLFC)

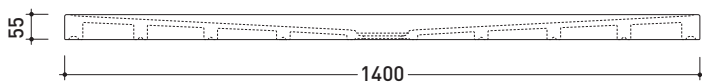
Package dim. | Weight **53 kg** | Pz. Pallet n°



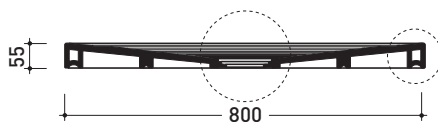
CE UNI EN 14527 Dop-No14527



vista zenitale / zenital view

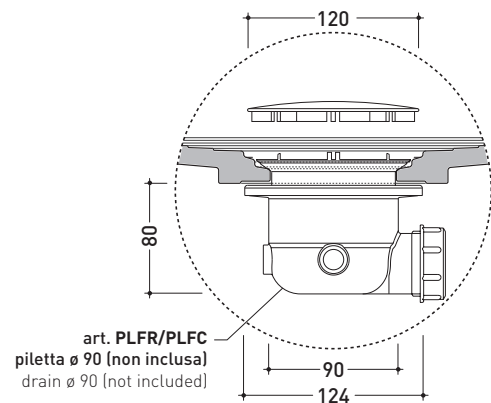


vista frontale / frontal view

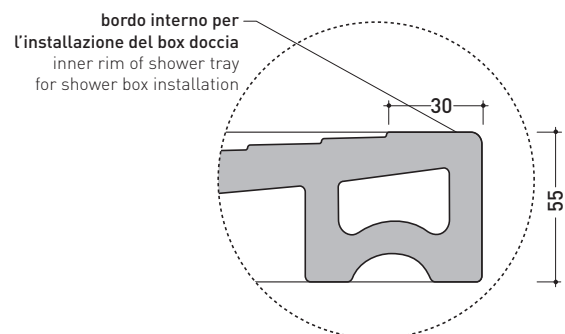


sezione longitudinale / section

PILETTA CONSIGLIATA / SUGGESTED DRAIN



Piletta sifonata / Drainage
Portata / Flow rate: **0,52 l/sec** (EN 274 >0,4 l/sec)



dettaglio del bordo / shower tray rim detail

sizes in mm

Please consider a 2% tolerance on indicated measurements

CERAMIC: glossy finish



matt finish



<http://www.ceramicaflaminia.it/en/products/329-water-drop>

©ceramicaflaminiaspa - All rights reserved. Unauthorized copying, publication, reproduction as well as partial reproduction are prohibited

may 2019



Water Drop

➔ **FLAMINIA.**

design **LUCA CIMARRA**

2016

DR8016 Water Drop 160x80

Laid on or built-in in the floor shower tray 160x80 cm
(\varnothing 90mm drainage system not included)

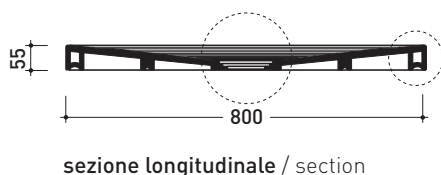
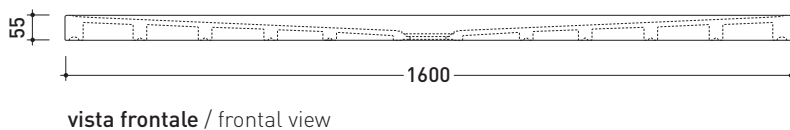
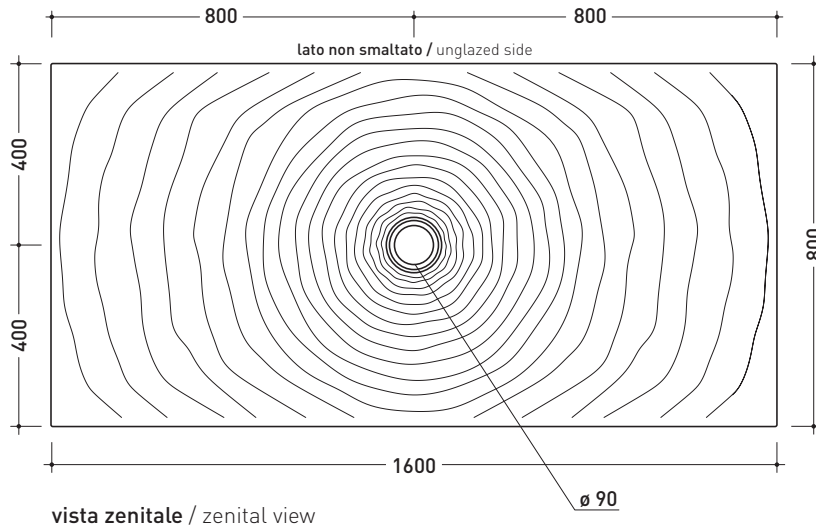
Complements: **BAMB00 composable shower box**
Line taps shower: ONE - NOKÉ - SI - FOLD - X1
Line accessories: TWO - HOOP - NOKÉ - FOLD

Technical accessories: **drainage system with CHROME cover \varnothing 90mm (PLFR)**
drainage system with CERAMIC cover \varnothing 90mm (PLFC)

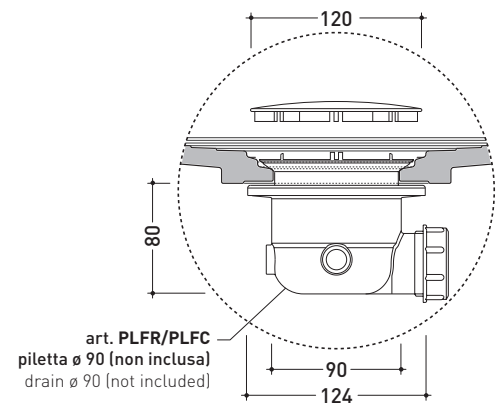
Package dim. | Weight **60,5 kg** | Pz. Pallet n°



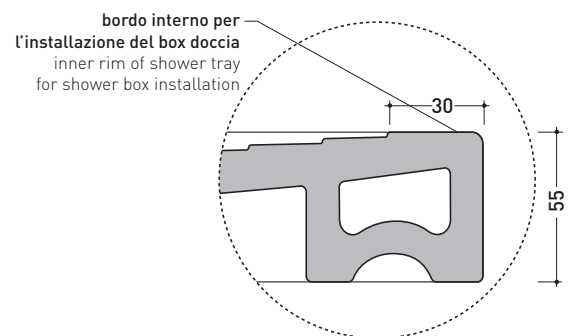
CE UNI EN 14527 Dop-No14527



PILETTA CONSIGLIATA / SUGGESTED DRAIN



Pilettina sifonata / Drainage
Portata / Flow rate: **0,52 l/sec** (EN 274 >0,4 l/sec)



dettaglio del bordo / shower tray rim detail

sizes in mm

Please consider a 2% tolerance on indicated measurements

CERAMIC: glossy finish



matt finish



<http://www.ceramicaflaminia.it/en/products/329-water-drop>

©ceramicaflaminiaspa - All rights reserved. Unauthorized copying, publication, reproduction as well as partial reproduction are prohibited

may 2019



Water Drop

➔ **FLAMINIA.**

design **LUCA CIMARRA**

2016

DR90 Water Drop 90x72

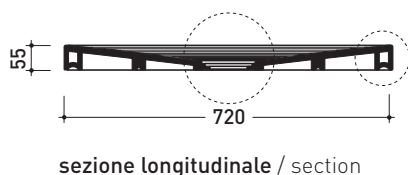
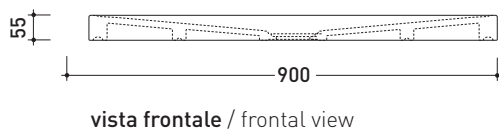
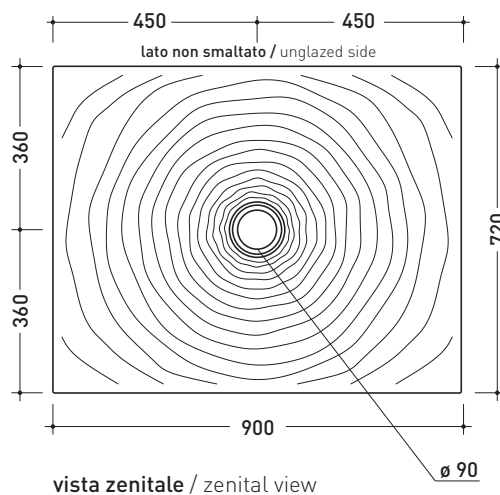
Laid on or built-in in the floor shower tray 90x72 cm
(ø 90mm drainage system not included)

Complements: **BAMB00 composable shower box**
Line taps shower: ONE - NOKÉ - SI - FOLD - X1
Line accessories: TWO - HOOP - NOKÉ - FOLD

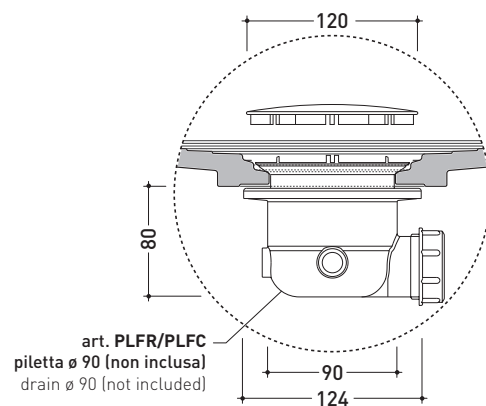
Technical accessories: **drainage system with CHROME cover ø 90mm (PLFR)**
drainage system with CERAMIC cover ø 90mm (PLFC)

Package dim. | Weight **31 kg** | Pz. Pallet n° **10**

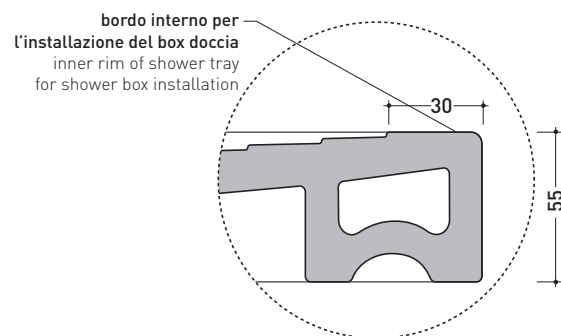
CE UNI EN 14527 Dop-No14527



PILETTA CONSIGLIATA / SUGGESTED DRAIN



Piletta sifonata / Drainage
Portata / Flow rate: **0,52 l/sec** (EN 274 > 0,4 l/sec)



sizes in mm

Please consider a 2% tolerance on indicated measurements

CERAMIC: glossy finish



matt finish



<http://www.ceramicaflaminia.it/en/products/329-water-drop>

©ceramicaflaminiaspa - All rights reserved. Unauthorized copying, publication, reproduction as well as partial reproduction are prohibited

may 2019



Water Drop

➔ **FLAMINIA.**

design **LUCA CIMARRA**

2016

DR100 Water Drop100x70

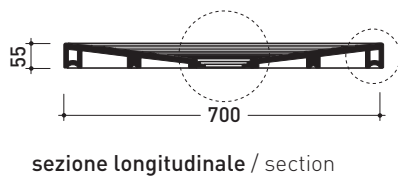
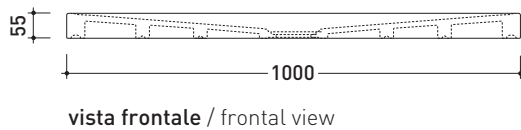
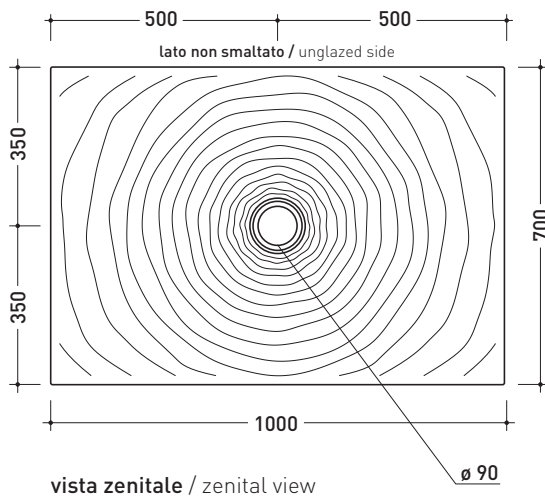
Laid on or built-in in the floor shower tray 100x70 cm
(\varnothing 90mm drainage system not included)

Complements: **BAMB00 composable shower box**
Line taps shower: ONE - NOKÉ - SI - FOLD - X1
Line accessories: TWO - HOOP - NOKÉ - FOLD

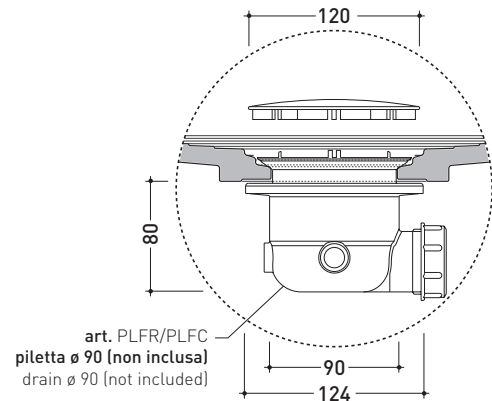
Technical accessories: **drainage system with CHROME cover \varnothing 90mm (PLFR)**
drainage system with CERAMIC cover \varnothing 90mm (PLFC)

Package dim. | Weight **32,2 kg** | Pz. Pallet n° **10**

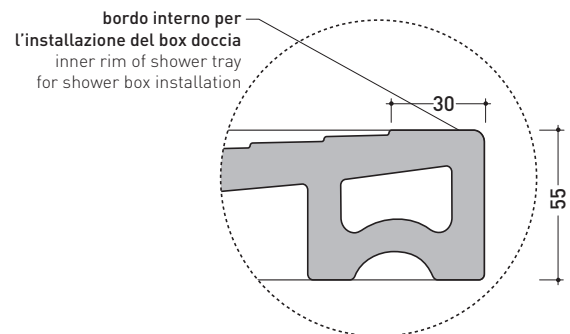
CE UNI EN 14527 Dop-No14527



PILETTA CONSIGLIATA / SUGGESTED DRAIN



Pilettina sifonata / Drainage
Portata / Flow rate: 0,52 l/sec (EN 274 >0,4 l/sec)



sizes in mm

Please consider a 2% tolerance on indicated measurements

CERAMIC: glossy finish



matt finish



<http://www.ceramicaflaminia.it/en/products/329-water-drop>

©ceramicaflaminiaspa - All rights reserved. Unauthorized copying, publication, reproduction as well as partial reproduction are prohibited

may 2019



Water Drop

➔ **FLAMINIA.**

design **LUCA CIMARRA**

2016

DR70 Water Drop 140x70

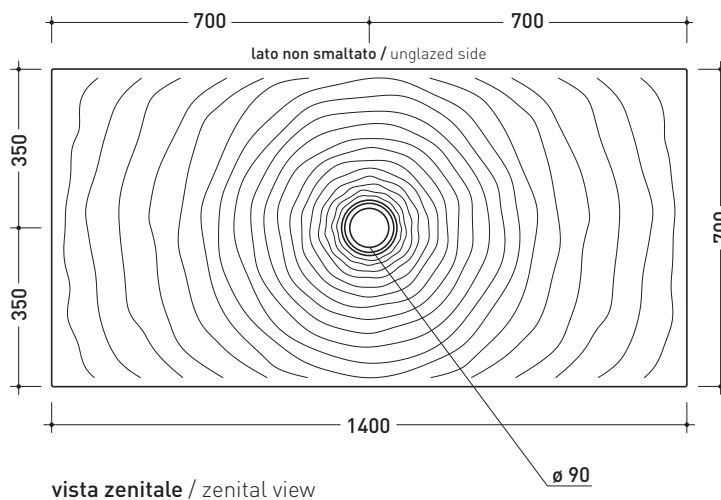
Laid on or built-in in the floor shower tray 140x70 cm
(ø 90mm drainage system not included)

Complements: **BAMB00 composable shower box**
Line taps shower: ONE - NOKÉ - SI - FOLD - X1
Line accessories: TWO - HOOP - NOKÉ - FOLD

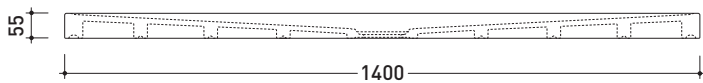
Technical accessories: **drainage system with CHROME cover ø 90mm (PLFR)**
drainage system with CERAMIC cover ø 90mm (PLFC)

Package dim. | Weight **45,5 kg** | Pz. Pallet n°

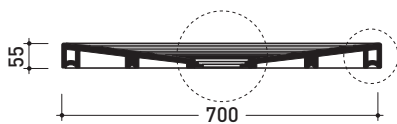
CE UNI EN 14527 Dop-No14527



vista zenitale / zenital view

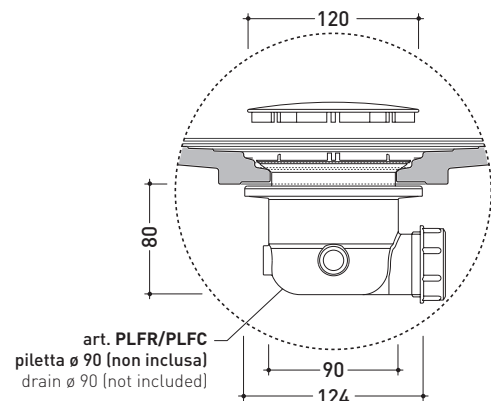


vista frontale / frontal view

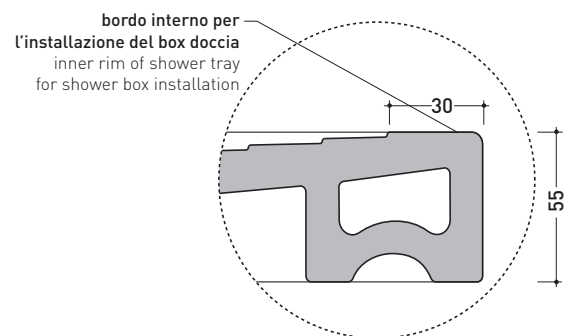


sezione longitudinale / section

PILETTA CONSIGLIATA / SUGGESTED DRAIN



Piletta sifonata / Drainage
Portata / Flow rate: **0,52 l/sec** (EN 274 >0,4 l/sec)



dettaglio del bordo / shower tray rim detail

sizes in mm

Please consider a 2% tolerance on indicated measurements

CERAMIC: glossy finish



matt finish



<http://www.ceramicaflaminia.it/en/products/329-water-drop>

©ceramicaflaminiaspa - All rights reserved. Unauthorized copying, publication, reproduction as well as partial reproduction are prohibited

may 2019



Water Drop

➔ **FLAMINIA.**

design **LUCA CIMARRA**

2016

DR7016 Water Drop 160x70

Laid on or built-in in the floor shower tray 160x70 cm
(\varnothing 90mm drainage system not included)

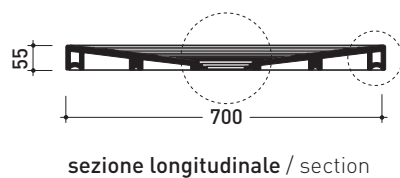
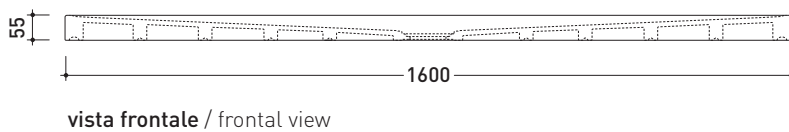
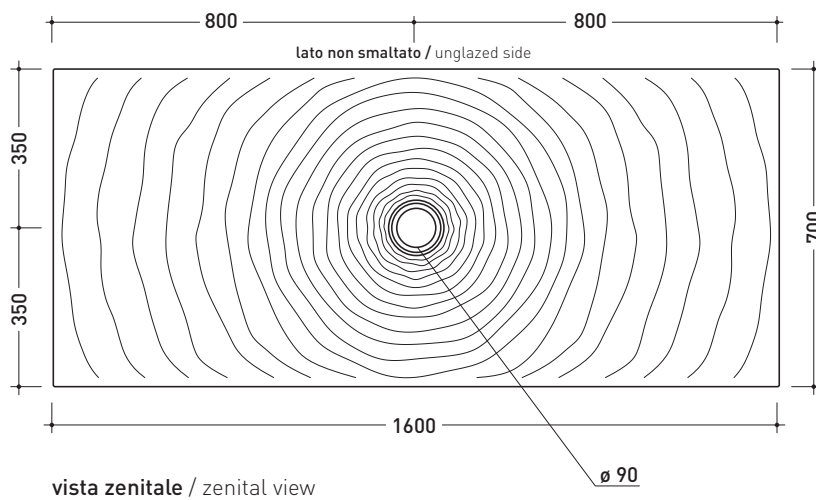
Complements: **BAMB00 composable shower box**
Line taps shower: ONE - NOKÉ - SI - FOLD - X1
Line accessories: TWO - HOOP - NOKÉ - FOLD

Technical accessories: **drainage system with CHROME cover \varnothing 90mm (PLFR)**
drainage system with CERAMIC cover \varnothing 90mm (PLFC)

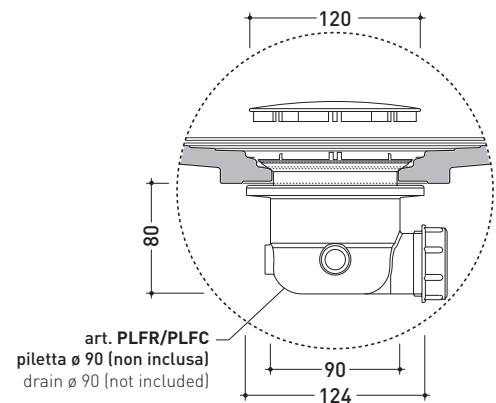
Package dim. | Weight **52,5 kg** | Pz. Pallet n°



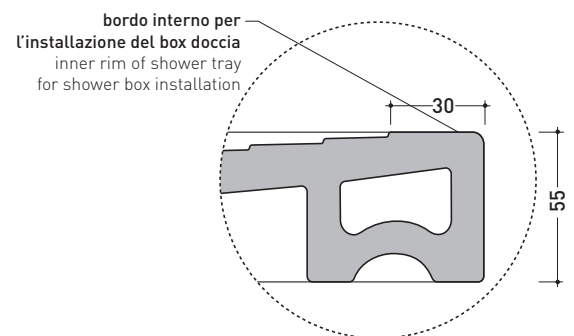
CE UNI EN 14527 Dop-No14527



PILETTA CONSIGLIATA / SUGGESTED DRAIN



Piletta sifonata / Drainage
Portata / Flow rate: **0,52 l/sec** (EN 274 >0,4 l/sec)



dettaglio del bordo / shower tray rim detail

sizes in mm

Please consider a 2% tolerance on indicated measurements

CERAMIC: glossy finish



matt finish



<http://www.ceramicaflaminia.it/en/products/329-water-drop>

©ceramicaflaminiaspa - All rights reserved. Unauthorized copying, publication, reproduction as well as partial reproduction are prohibited

may 2019



Drainage system

➔ **FLAMINIA.**

PLFR

Drainage system with CHROME cover (ø 90 mm)

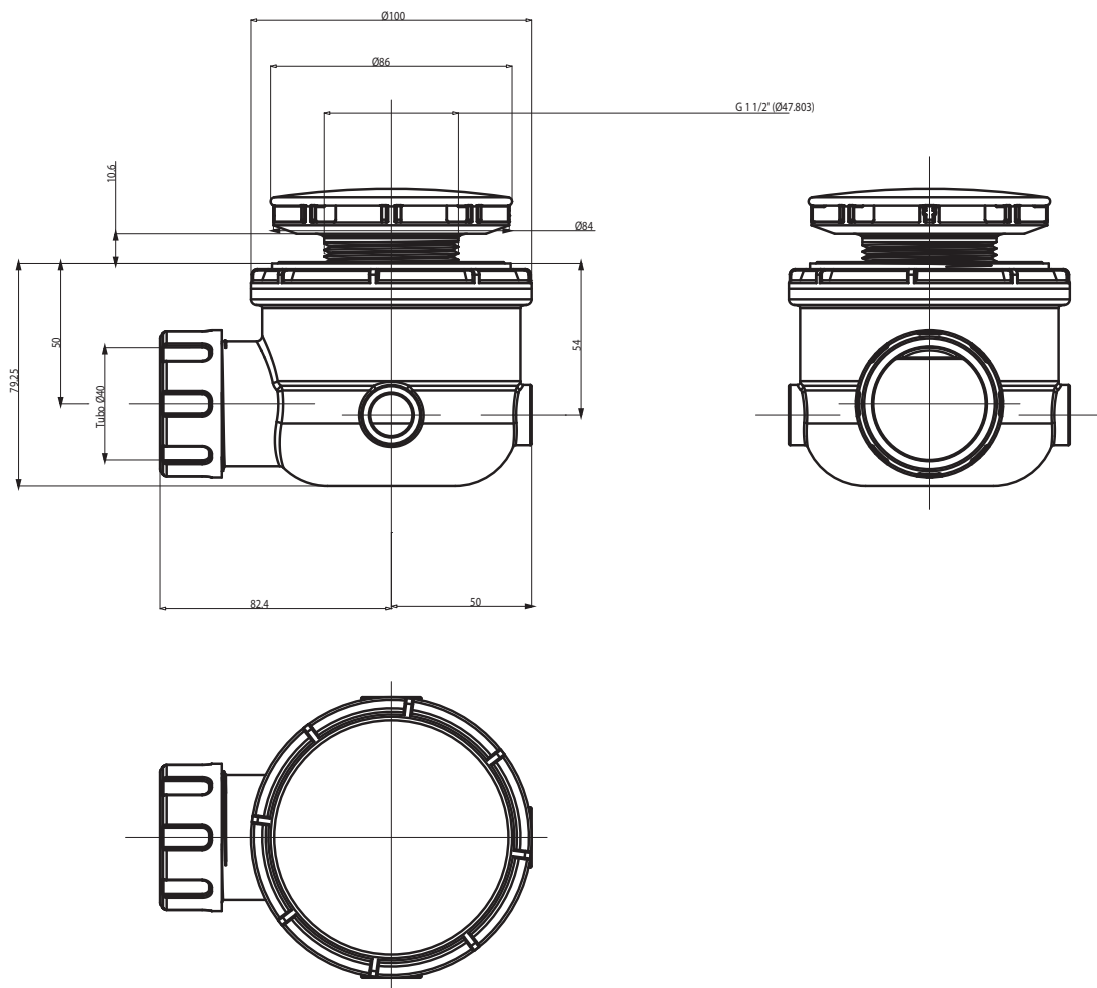
Package dim.

Weight **0,5 kg**

Pz. Pallet n° -



CE



sizes in mm

ABS: glossy finish



chrome

<http://www.ceramicaflaminia.it/en>

©ceramicaflaminiaspa - All rights reserved. Unauthorized copying, publication, reproduction as well as partial reproduction are prohibited

june 2020



Drainage system

➔ **FLAMINIA.**

PLFC

Drainage system with CERAMIC cover (ø 90 mm)

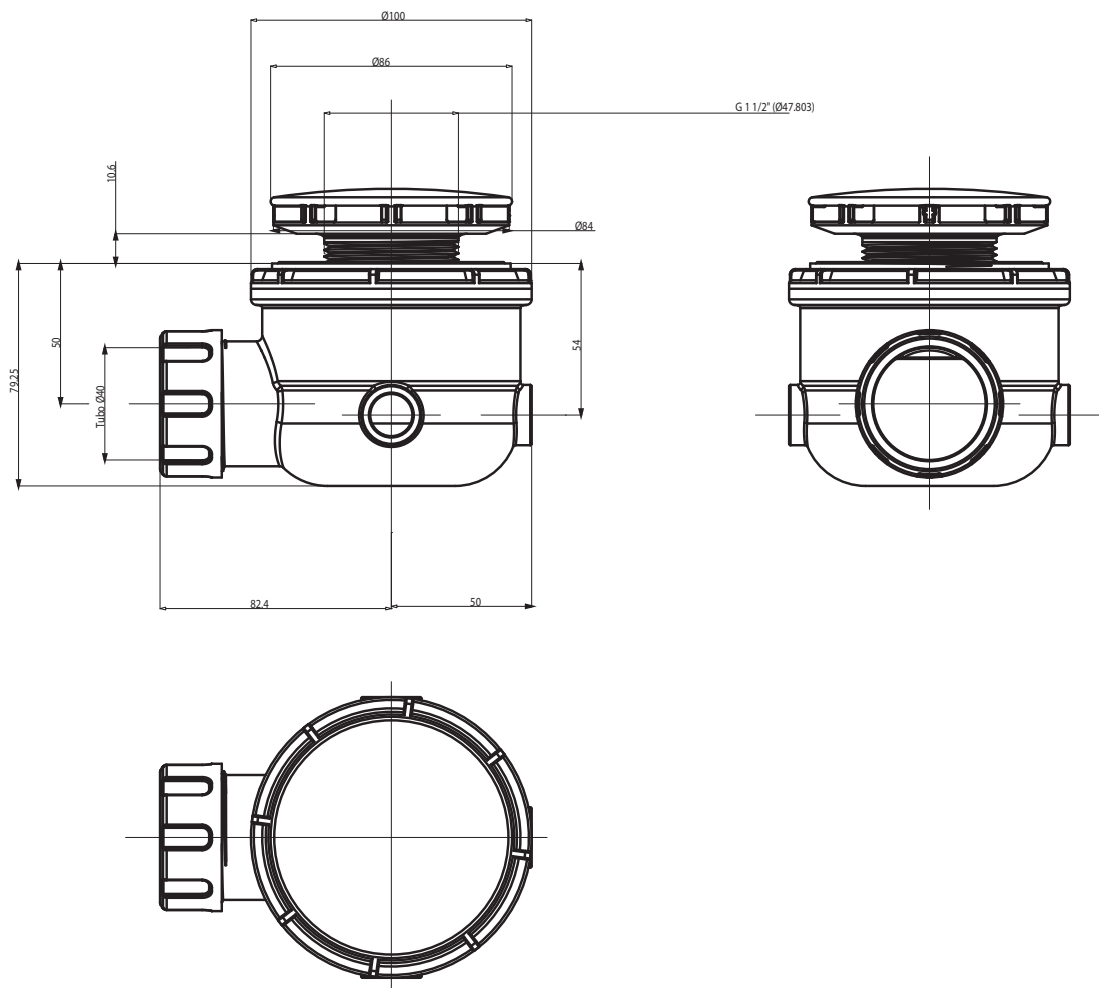
Package dim.

Weight **0,7 kg**

Pz. Pallet n° -



CE



sizes in mm

CERAMIC: glossy finish



white black

matt finish



milky white graphite antracite lava grey argilla nuvola fango rosso rubens petrolio

<http://www.ceramicaflaminia.it/en>

©ceramicaflaminiaspa - All rights reserved. Unauthorized copying, publication, reproduction as well as partial reproduction are prohibited

june 2020

