

MW60PR Miniwash 60

Countertop basin cm 60 with tap ledge

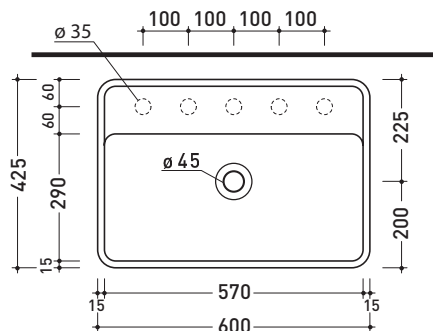
•WITH OVERFLOW •ARRANGED FOR FIVE TAP HOLES

Complements: **Forty6 shelf (F6MW)**
Solid shelf (SLMW)
Furniture BOX - depth. 50
Line taps basin: ONE - NOKÈ - SI - FOLD - X1
Line accessories: TWO - HOOP - NOKÈ - FOLD

Technical accessories: **Chrome siphon (SIFL/CR) - Telescopic chrome siphon (SIFL066)**
Stop & Go drain (PLSG)
CERAMIC Stop & Go drain (PLCE)
Two piece set chrome tap filters (RF026)

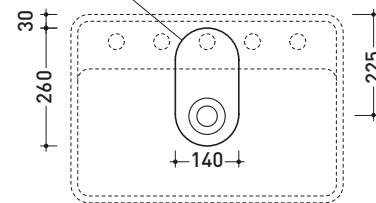
Package dim. | Weight **21 kg** | Pz. Pallet n° **12**

UNI EN 14688 - CL20 **Dop-No14688**

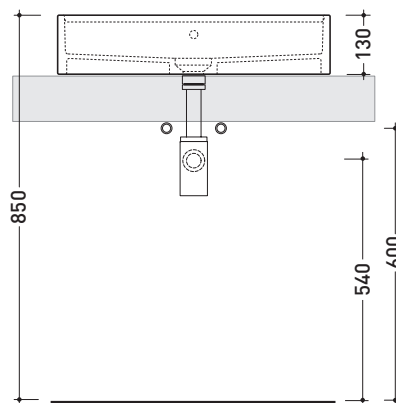


vista zenitale / zenital view

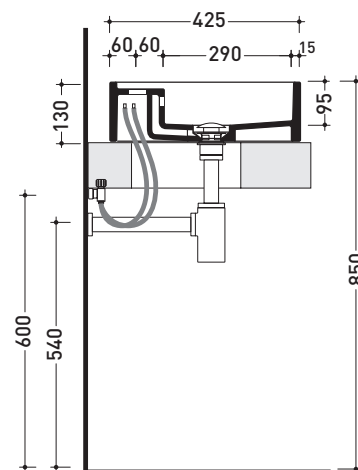
foro consigliato sul piano
suggested hole on the top



vista zenitale / zenital view



vista frontale / frontal view



sezione longitudinale / section

sizes in mm

Please consider a 2% tolerance on indicated measurements

CERAMIC: glossy finish

matt finish



METAL



design **GIULIO CAPPELLINI**

2016

MWL60 Miniwash 60

Countertop or wall hung by fixing brackets basin cm 60

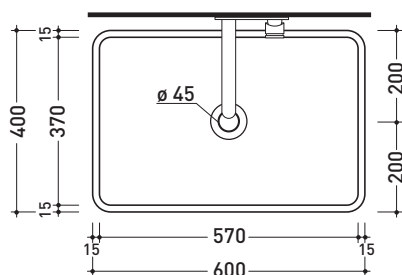
•WITHOUT OVERFLOW •WITHOUT TAP LEDGE

Complements: **Forty6 shelf (F6MW)**
Solid shelf (SLMW)
***Pair of wall fixing brackets (MWS)**
Furniture BOX - depth. 50
Filo 75 metal structure (FI75SV)
Line taps basin: ONE - NOKÈ - SI - FOLD - X1
Line accessories: TWO - HOOP - NOKÈ - FOLD

Technical accessories: **Chrome siphon (SIFL/CR) - Telescopic chrome siphon (SIFL066)**
Stop & Go drain (PLSG)
CERAMIC Stop & Go drain (PLCE)
Two piece set chrome tap filters (RF026)

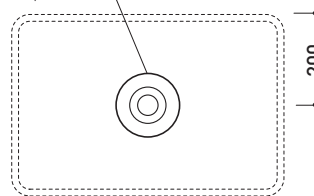
Package dim. **62 x 14,5 x 42 cm** | Weight **16 kg** | Pz. Pallet n° **24**

CE UNI EN 14688 - CL00 Dop-No14688

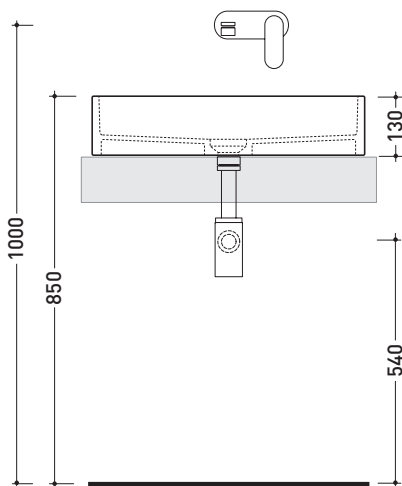


vista zenitale / zenital view

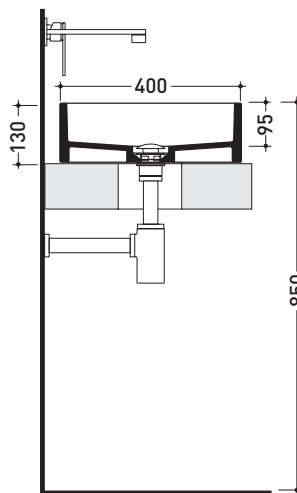
foro consigliato sul piano \varnothing 140
 suggested hole on the top \varnothing 140



vista zenitale / zenital view



vista frontale / frontal view



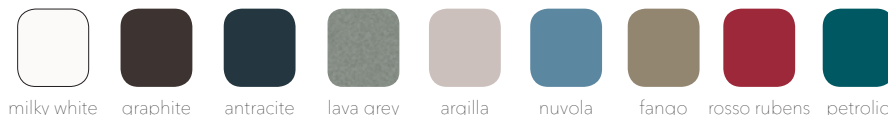
sezione longitudinale / section

sizes in mm

Please consider a 2% tolerance on indicated measurements

CERAMIC: glossy finish

matt finish



METAL



<http://www.ceramicaflaminia.it/en/products/300-miniwash-fly>

©ceramicaflaminiaspa - All rights reserved. Unauthorized copying, publication, reproduction as well as partial reproduction are prohibited

april 2020



Miniwash

➔ **FLAMINIA.**

design **GIULIO CAPPELLINI**

2016

MWS + MWL60 Miniwash 60

Pair of wall fixing brackets + wall-hung basin cm 60

• WITHOUT OVERFLOW • WITHOUT TAP LEDGE

Complements: **Chromed towel holder (PMW60)**
Line taps basin: ONE - NOKÈ - SI - FOLD - X1
Line accessories: TWO - HOOP - NOKÈ - FOLD

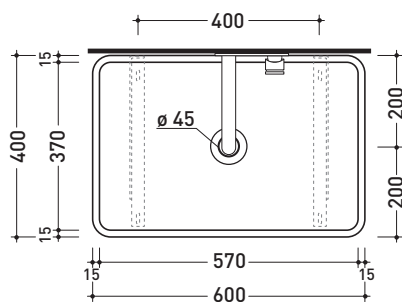
Technical accessories: **Chrome siphon (SIFL/CR) - Telescopic chrome siphon (SIFL066)**
Stop & Go drain (PLSG)
CERAMIC Stop & Go drain (PLCE)

Package dim. basin	Weight 16 kg	Pz. Pallet n° 24
--------------------	---------------------	-------------------------

Package dim. bracket	Weight 3 kg	Pz. Pallet n° -
----------------------	--------------------	-----------------



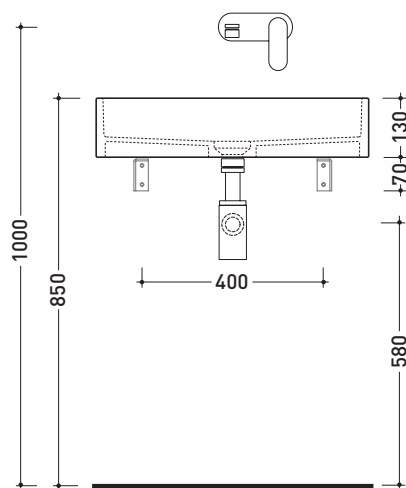
CE UNI EN 14688 - CL00 Dop-No14688



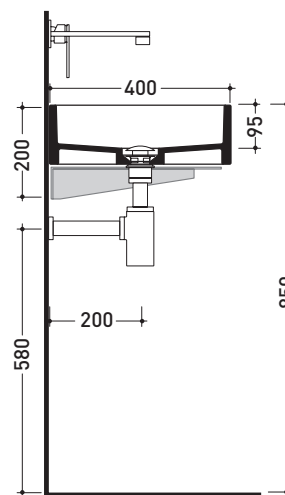
vista zenitale / zenital view



staffe di fissaggio MWS
MWS fixing bracket



vista frontale / frontal view



sezione longitudinale / section

sizes in mm

Please consider a 2% tolerance on indicated measurements

STAINLESS STEEL: glossy finish



chrome

<http://www.ceramicaflaminia.it/en/products/300-miniwash-fly>

©ceramicaflaminiaspa - All rights reserved. Unauthorized copying, publication, reproduction as well as partial reproduction are prohibited

april 2020



design **GIULIO CAPPELLINI**

2016

MW60S Miniwash 60

Wall hung basin cm 60 with tap ledge

•WITH OVERFLOW •ARRANGED FOR FIVE TAP HOLES

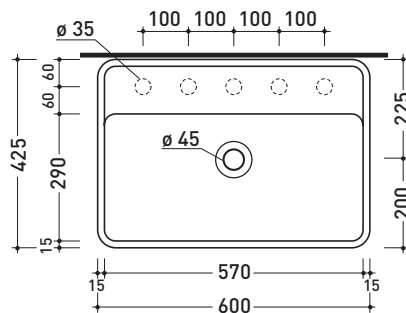
Complements: **Chromed towel holder (PMW60)**
Line taps basin: ONE - NOKÈ - SI - FOLD - X1
Line accessories: TWO - HOOP - NOKÈ - FOLD

Technical accessories: **Chrome siphon (SIFL/CR) - Telescopic chrome siphon (SIFL066)**
Stop & Go drain (PLSG)
CERAMIC Stop & Go drain (PLCE)
Two piece set chrome tap filters (RF026)
Fixing kit for wall (9002)

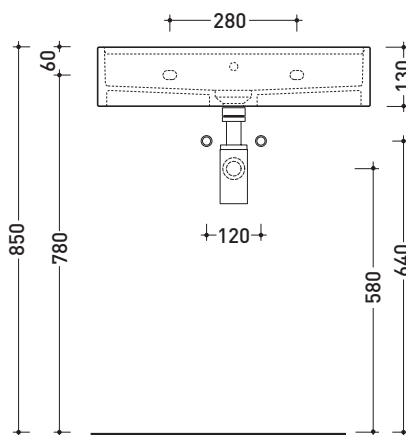
Package dim. | Weight **21 kg** | Pz. Pallet n° **12**



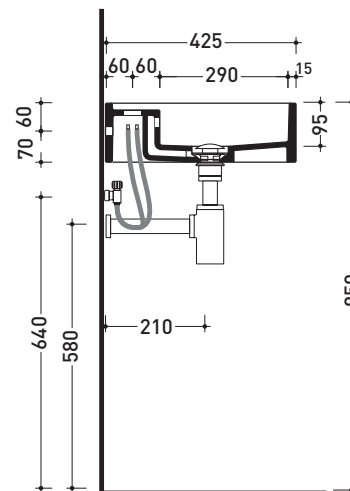
UNI EN 14688 - CL20 **Dop-No14688**



vista zenitale / zenital view



vista frontale / frontal view



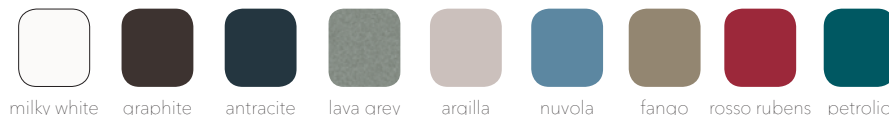
sezione longitudinale / section

sizes in mm

Please consider a 2% tolerance on indicated measurements

CERAMIC: glossy finish

matt finish



METAL



design **GIULIO CAPPELLINI**

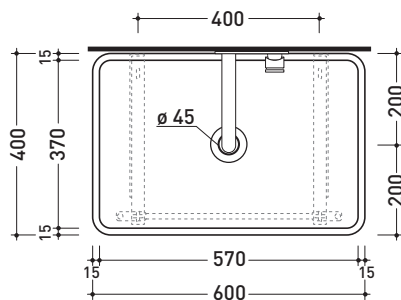
2016

PMW60 for Miniwash 60 (MWL60+MWS)

Brass towel-holder suitable for wall-hung basins **MINIWASH 60**

Complements: **MINIWASH 60 wall-hung basins** (MWL60+MWS - MW60S)
Line taps basin: ONE - NOKÈ - SI - FOLD - X1
Line accessories: TWO - HOOP - NOKÈ - FOLD

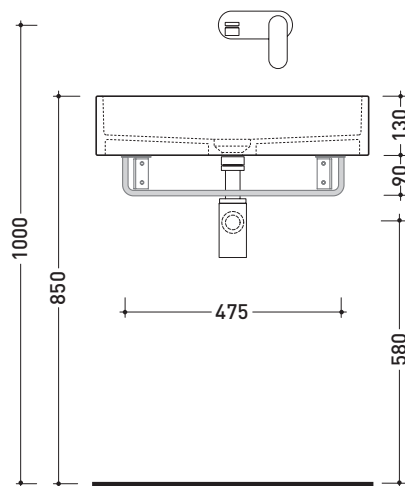
Package dim.	Weight kg	Pz. Pallet n°
--------------	------------------	---------------



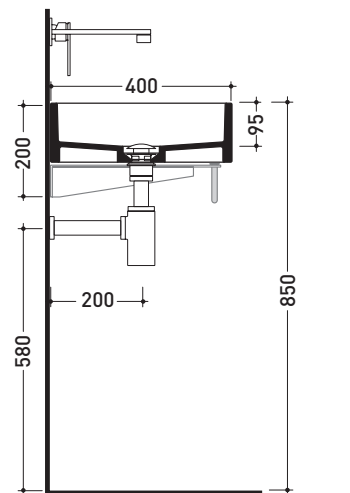
vista zenitale / zenital view



portasciugamani PMW60
PMW60 towel holder



vista frontale / frontal view



sezione longitudinale / section

sizes in mm

BRASS: glossy finish



chrome

<http://www.ceramicaflaminia.it/en/products/300-miniwash-fly>

©ceramicaflaminiaspa - All rights reserved. Unauthorized copying, publication, reproduction as well as partial reproduction are prohibited

april 2020

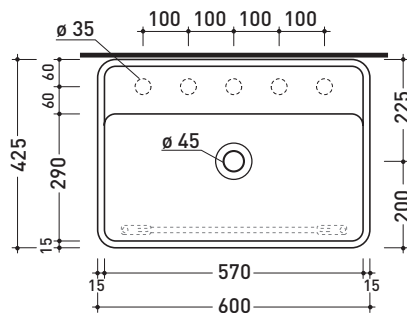


PMW60 for Miniwash 60 (MW60S)

Brass towel-holder suitable for wall-hung basins **MINIWASH 60**

Complements: **MINIWASH 60 wall-hung basins** (MWL60+MWS - MW60S)
Line taps basin: ONE - NOKÈ - SI - FOLD - X1
Line accessories: TWO - HOOP - NOKÈ - FOLD

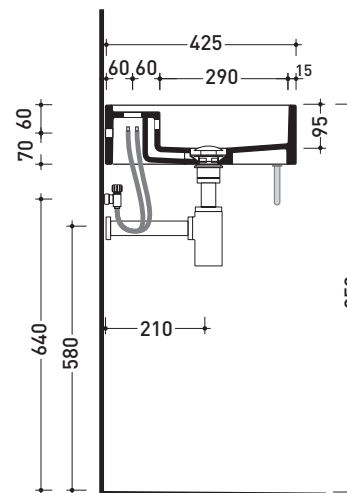
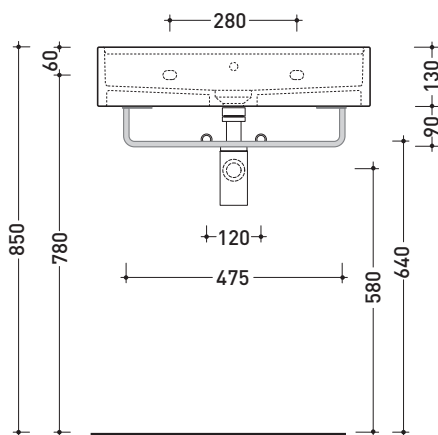
Package dim.	Weight kg	Pz. Pallet n°
--------------	------------------	---------------



vista zenitale / zenital view



portasciugamani PMW60
PMW60 towel holder



sezione longitudinale / section

sizes in mm

BRASS: glossy finish



chrome

MW75PR Miniwash 75

Countertop basin cm 75 with tap ledge

•WITH OVERFLOW •ARRANGED FOR FIVE TAP HOLES

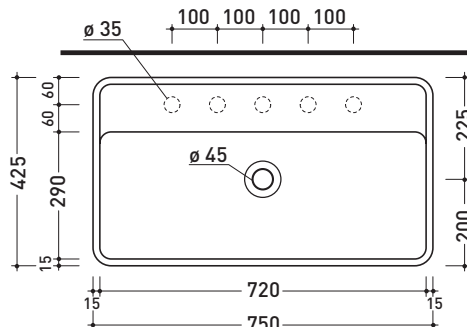
Complements: **Forty6 shelf (F6MW)**
Solid shelf (SLMW)
Furniture BOX - depth. 50
Line taps basin: ONE - NOKÈ - SI - FOLD - X1
Line accessories: TWO - HOOP - NOKÈ - FOLD

Technical accessories: **Chrome siphon (SIFL/CR) - Telescopic chrome siphon (SIFL066)**
Stop & Go drain (PLSG)
CERAMIC Stop & Go drain (PLCE)
Two piece set chrome tap filters (RF026)

Package dim. | Weight kg | Pz. Pallet n°

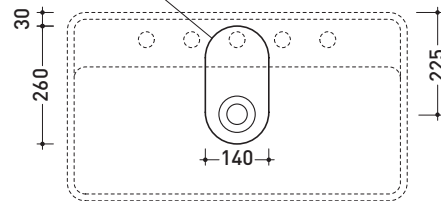


CE UNI EN 14688 - CL20 Dop-No14688

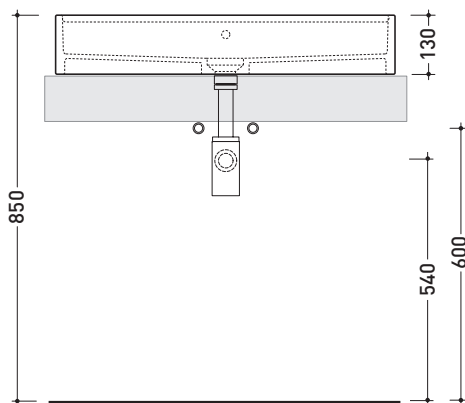


vista zenitale / zenital view

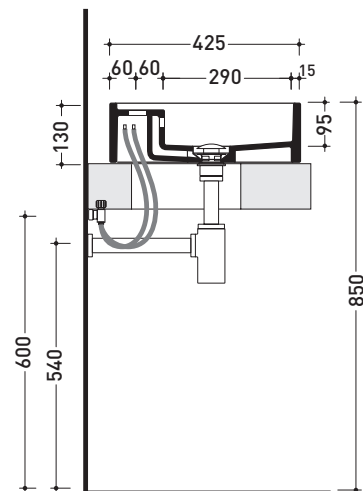
foro consigliato sul piano
suggested hole on the top



vista zenitale / zenital view



vista frontale / frontal view



sezione longitudinale / section

sizes in mm

Please consider a 2% tolerance on indicated measurements

CERAMIC: glossy finish

matt finish



METAL



design **GIULIO CAPPELLINI**

2016

MWL75 Miniwash 75

Countertop or wall hung by fixing brackets basin cm 75

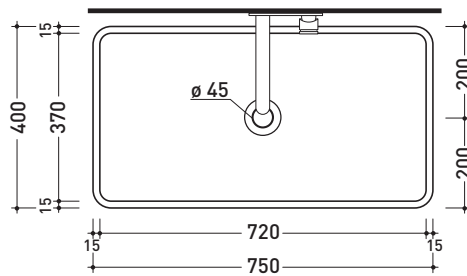
•WITHOUT OVERFLOW •WITHOUT TAP LEDGE

Complements: **Forty6 shelf (F6MW)**
Solid shelf (SLMW)
***Pair of wall fixing brackets (MWS)**
Furniture BOX - depth. 50
Line taps basin: ONE - NOKÈ - SI - FOLD - X1
Line accessories: TWO - HOOP - NOKÈ - FOLD

Technical accessories: **Chrome siphon (SIFL/CR) - Telescopic chrome siphon (SIFL066)**
Stop & Go drain (PLSG)
CERAMIC Stop & Go drain (PLCE)
Two piece set chrome tap filters (RF026)

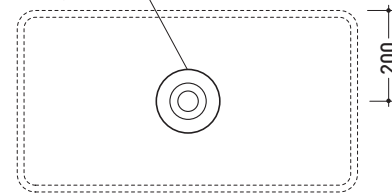
Package dim. **77 x 14,5 x 42 cm** | Weight **19 kg** | Pz. Pallet n° **24**

CE UNI EN 14688 - CL00 Dop-No14688

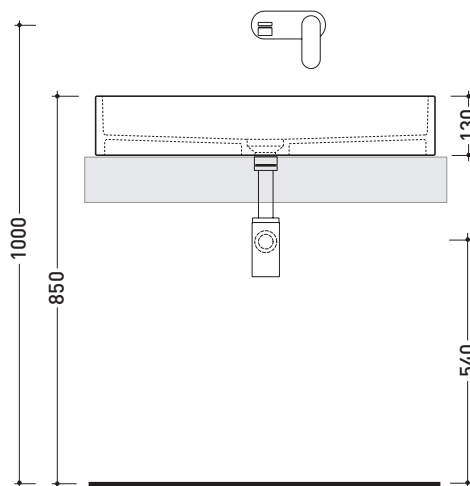


vista zenitale / zenital view

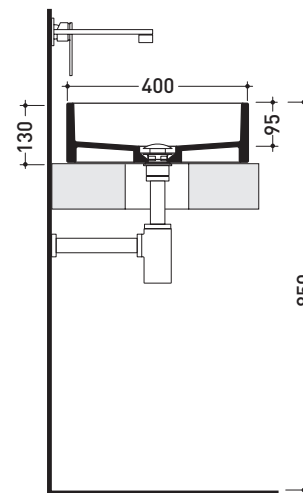
foro consigliato sul piano ø 140
 suggested hole on the top ø140



vista zenitale / zenital view



vista frontale / frontal view



sezione longitudinale / section

sizes in mm

Please consider a 2% tolerance on indicated measurements

CERAMIC: glossy finish

matt finish



white black



milky white graphite antracite lava grey argilla nuvola fango rosso rubens petrolio

METAL



white / gold white / platinum

<http://www.ceramicaflaminia.it/en/products/300-miniwash-fly>

©ceramicaflaminiaspa - All rights reserved. Unauthorized copying, publication, reproduction as well as partial reproduction are prohibited

april 2020



MWS + MWL75 Miniwash 75

Pair of wall fixing brackets + wall-hung basin cm 75

•WITHOUT OVERFLOW •WITHOUT TAP LEDGE

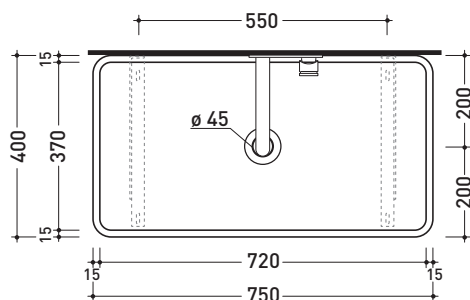
Complements: **Chromed towel holder (PMW75)**
Line taps basin: ONE - NOKÈ - SI - FOLD - X1
Line accessories: TWO - HOOP - NOKÈ - FOLD

Technical accessories: **Chrome siphon (SIFL/CR) - Telescopic chrome siphon (SIFL066)**
Stop & Go drain (PLSG)
CERAMIC Stop & Go drain (PLCE)

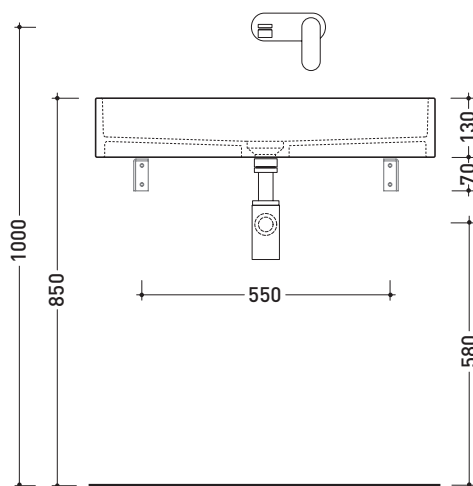
Package dim. basin | Weight **16 kg** | Pz. Pallet n° **24**

Package dim. bracket | Weight **3 kg** | Pz. Pallet n° -

CE UNI EN 14688 - CL00 Dop-No14688



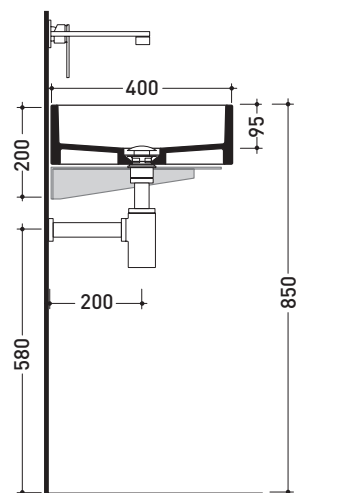
vista zenitale / zenital view



vista frontale / frontal view



staffe di fissaggio MWS
MWS fixing bracket



sezione longitudinale / section

sizes in mm

Please consider a 2% tolerance on indicated measurements

STAINLESS STEEL: glossy finish



chrome

MW75S Miniwash 75

Wall hung basin cm 75 with tap ledge

•WITH OVERFLOW •ARRANGED FOR FIVE TAP HOLES

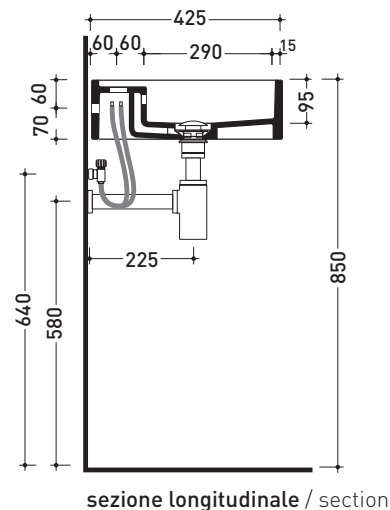
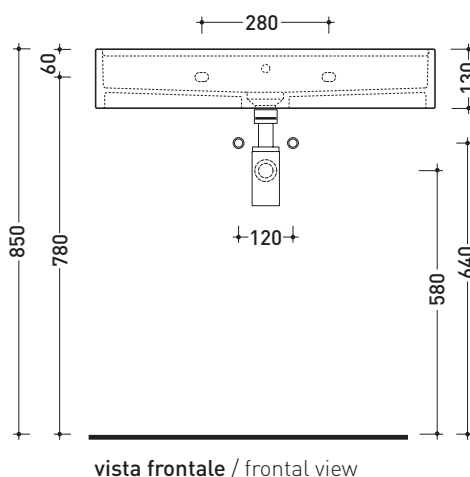
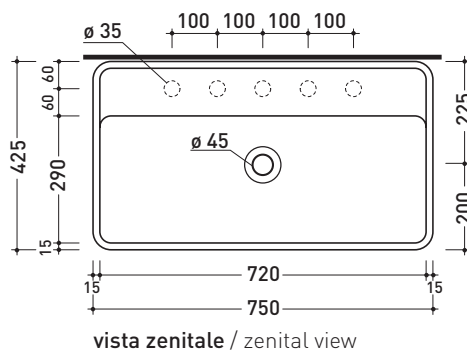
Complements: **Chromed towel holder (PMW75)**
Line taps basin: ONE - NOKÈ - SI - FOLD - X1
Line accessories: TWO - HOOP - NOKÈ - FOLD

Technical accessories: **Chrome siphon (SIFL/CR) - Telescopic chrome siphon (SIFL066)**
Stop & Go drain (PLSG)
CERAMIC Stop & Go drain (PLCE)
Two piece set chrome tap filters (RF026)
Fixing kit for wall (9002)

Package dim. | Weight **23,5 kg** | Pz. Pallet n° **12**



CE UNI EN 14688 - CL20 Dop-No14688



sizes in mm

Please consider a 2% tolerance on indicated measurements

CERAMIC: glossy finish

matt finish



METAL



Miniwash

➔ **FLAMINIA.**

design **GIULIO CAPPELLINI**

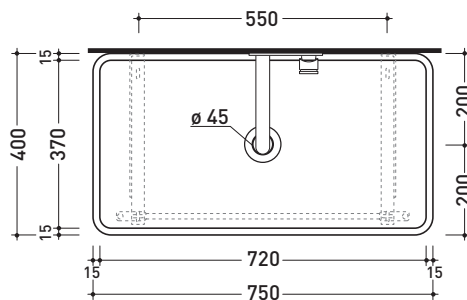
2016

PMW75 for Miniwash 75 (MWL75+MWS)

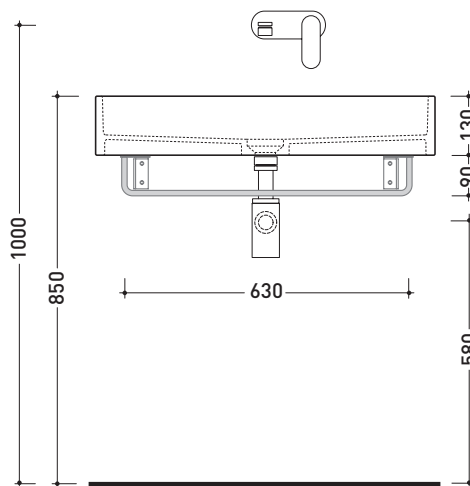
Brass towel-holder suitable for wall-hung basins **MINIWASH 75**

Complements: **MINIWASH 75 wall-hung basins** (MWL75+MWS - MW75S)
Line taps basin: ONE - NOKÈ - SI - FOLD - X1
Line accessories: TWO - HOOP - NOKÈ - FOLD

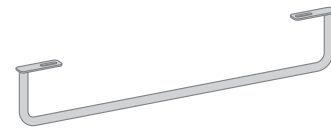
Package dim.	Weight kg	Pz. Pallet n°
--------------	------------------	---------------



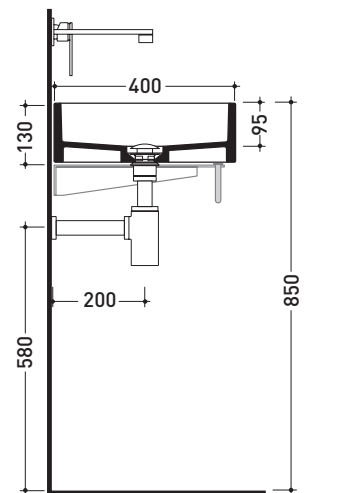
vista zenitale / zenital view



vista frontale / frontal view



portasciugamani PMW75
PMW75 towel holder



sezione longitudinale / section

sizes in mm

BRASS: glossy finish



chrome

<http://www.ceramicaflaminia.it/en/products/300-miniwash-fly>

©ceramicaflaminiaspa - All rights reserved. Unauthorized copying, publication, reproduction as well as partial reproduction are prohibited

april 2020

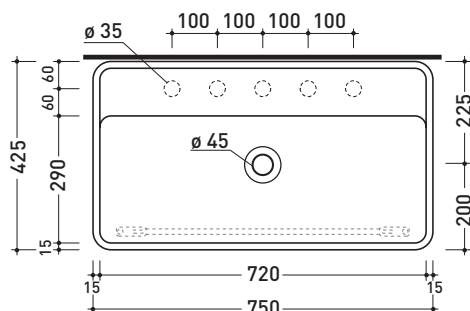


PMW75 for Miniwash 75 (MW75S)

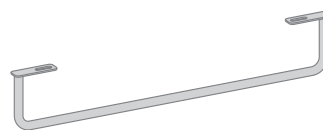
Brass towel-holder suitable for wall-hung basins **MINIWASH 75**

Complements: **MINIWASH 75 wall-hung basins** (MWL75+MWS - MW75S)
Line taps basin: ONE - NOKÈ - SI - FOLD - X1
Line accessories: TWO - HOOP - NOKÈ - FOLD

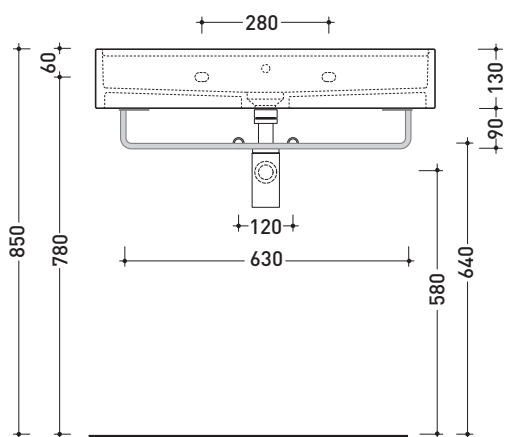
Package dim.	Weight kg	Pz. Pallet n°
--------------	------------------	---------------



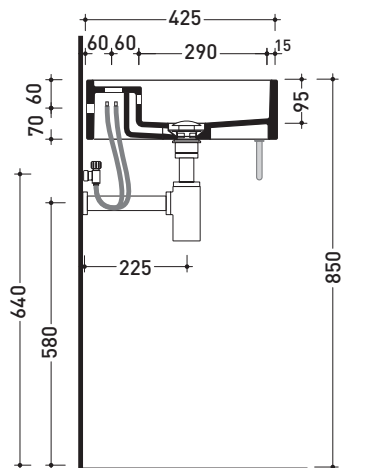
vista zenitale / zenital view



portasciugamani PMW75
 PMW75 towel holder



vista frontale / frontal view



sezione longitudinale / section

sizes in mm

BRASS: glossy finish



chrome

design **GIULIO CAPPELLINI**

2005

MWL25 Miniwash 25

Wall hung single-hole basin

• WITHOUT OVERFLOW

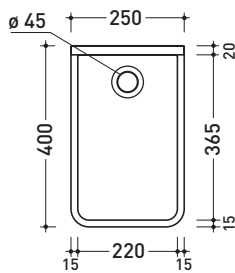
Complements: **Line taps basin ONE** (113057)
Line accessories: TWO - HOOP - NOKÈ - FOLD

Technical accessories: **Chrome siphon** (SIFL/CR) - **Telescopic chrome siphon** (SIFL066)
Stop & Go drain (PLSG)
CERAMIC Stop & Go drain (PLCE)

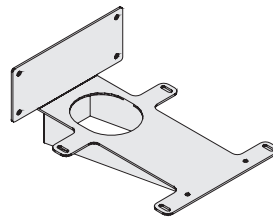
Package dim. **36 x 25,5 x 40,5 cm** | Weight **13 kg** | Pz. Pallet n° **30**



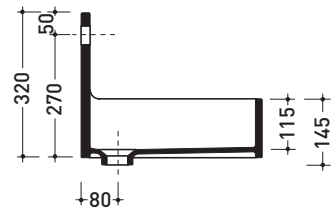
CE UNI EN 14688 - CL00 Dop-No14688



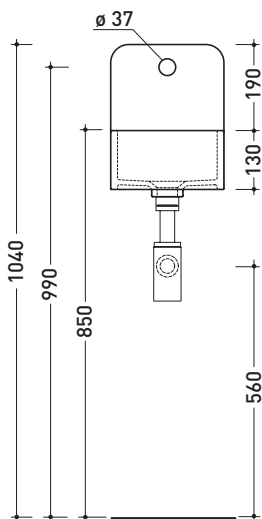
vista zenitale / zenital view



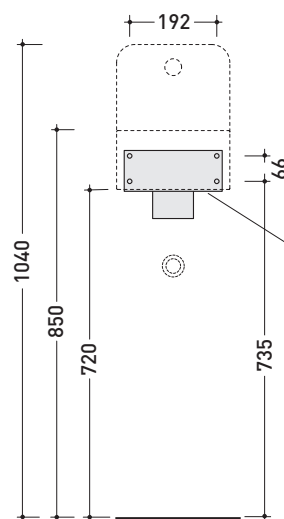
staffa di fissaggio
fixing bracket



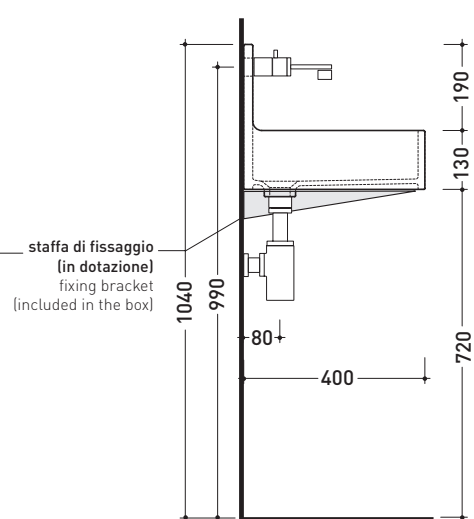
sezione longitudinale / section



vista frontale / frontal view



vista frontale fissaggio staffa
fixing bracket frontal view



vista laterale / lateral view

sizes in mm

Please consider a 2% tolerance on indicated measurements

CERAMIC: glossy finish



white

Miniwash

➔ **FLAMINIA.**

design **GIULIO CAPPELLINI**

2005

MWL40 Miniwash 40

Countertop - wall hung* basin 40 cm

•WITHOUT OVERFLOW •WITHOUT TAP LEDGE

Complements: *Wall fixing bracket (MWS40)

Forty6 shelf (F6MW)

Solid shelf (SLMW)

Furniture BOX - depth. 50

Filo 60 metal structure (FI60SV)

Filo 75 metal structure (FI75SV)

Line taps basin: ONE - NOKÈ - SI - FOLD - X1

Line accessories: TWO - HOOP - NOKÈ - FOLD

Technical accessories: Chrome siphon (SIFL/CR) - Telescopic chrome siphon (SIFL066)

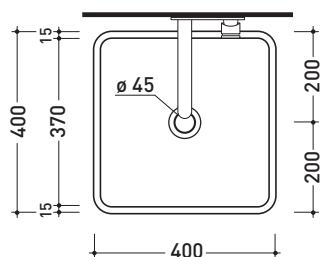
Stop & Go drain (PLSG)

CERAMIC Stop & Go drain (PLCE)

Two piece set chrome tap filters (RF026)

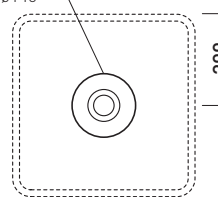
Package dim. 40, 5 x 14, 5 x 42 cm | Weight 11,5 kg | Pz. Pallet n° 42

CE UNI EN 14688 - CL00 Dop-No14688

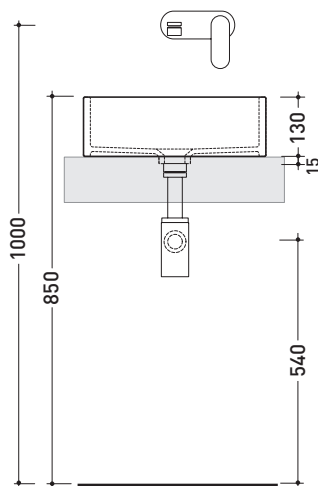


vista zenitale / zenital view

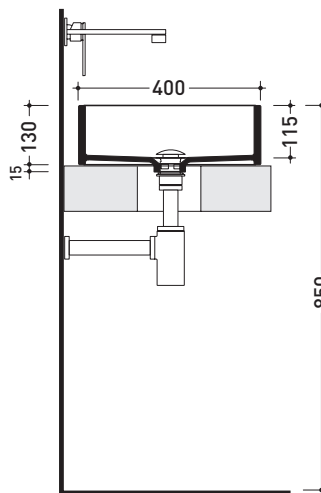
foro consigliato sul piano ø 140
suggested hole on the top ø140



vista zenitale / zenital view



vista frontale / frontal view



sezione longitudinale / section

sizes in mm

Please consider a 2% tolerance on indicated measurements

CERAMIC: glossy finish

matt finish



white



black



milky white



graphite



antracite



lava grey



argilla



nuvola



fango



rosso rubens



petrolio

METAL



white / gold



white / platinum

<http://www.ceramicaflaminia.it/en/products/300-miniwash-fly>

©ceramicaflaminiaspa - All rights reserved. Unauthorized copying, publication, reproduction as well as partial reproduction are prohibited

april 2020



Miniwash Fly

➔ **FLAMINIA.**

design **GIULIO CAPPELLINI**

2005

MWL40 + MWS40 Miniwash 40

Wall fixing bracket + countertop basin 40 cm

• WITHOUT OVERFLOW • WITHOUT TAP LEDGE

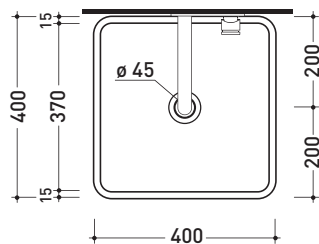
Complements: **Line taps basin:** ONE - NOKÈ - SI - X1
Line accessories: TWO - HOOP - NOKÈ - FOLD

Technical accessories: **Chrome siphon (SIFL/CR) - Telescopic chrome siphon (SIFL066)**
Stop & Go drain (PLSG)
CERAMIC Stop & Go drain (PLCE)

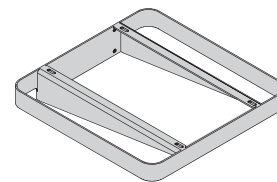
Package dim. basin: **40,5 x 14,5 x 42 cm** | Weight **11,5 kg** | Pz. Pallet n° **42**

Package dim. bracket: **42 x 18 x 44 cm** | Weight **3 kg** | Pz. Pallet n° -

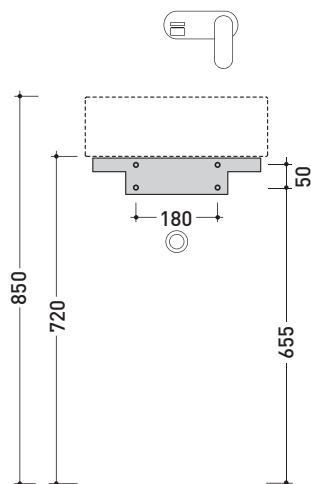
CE UNI EN 14688 - CL00 Dop-No14688



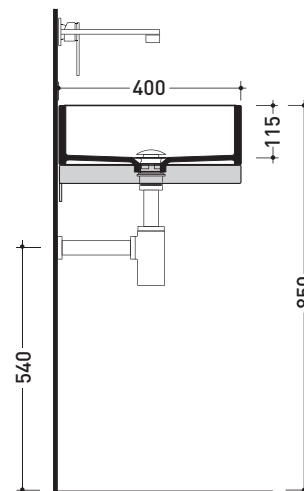
vista zenitale / zenital view



staffa di fissaggio MWS40
MWS40 fixing bracket



vista frontale fissaggio staffa
fixing bracket frontal view



sezione longitudinale / section

sizes in mm

Please consider a 2% tolerance on indicated measurements

STAINLESS STEEL: glossy finish



chrome

<http://www.ceramicaflaminia.it/en/products/300-miniwash-fly>

©ceramicaflaminiaspa - All rights reserved. Unauthorized copying, publication, reproduction as well as partial reproduction are prohibited

april 2020



Miniwash Fly

➔ **FLAMINIA.**

design **GIULIO CAPPELLINI**

2005

MWL48 Miniwash 48

Countertop - wall hung* basin 48 cm

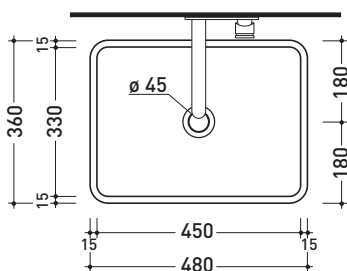
•WITHOUT OVERFLOW •WITHOUT TAP LEDGE

Complements: ***Wall fixing bracket (MWS48)**
Forty6 shelf (F6MW)
Solid shelf (SLMW)
Furniture BOX - depth. 50
Filo 60 metal structure (FI60SV)
Filo 75 metal structure (FI75SV)
Line taps basin: ONE - NOKÈ - SI - FOLD - X1
Line accessories: TWO - HOOP - NOKÈ - FOLD

Technical accessories: **Chrome siphon (SIFL/CR) - Telescopic chrome siphon (SIFL066)**
Stop & Go drain (PLSG)
CERAMIC Stop & Go drain (PLCE)
Two piece set chrome tap filters (RF026)

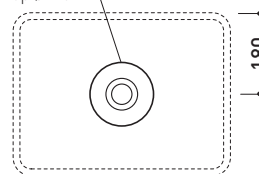
Package dim. **49 x 14,5 x 37,5 cm** | Weight **12,5 kg** | Pz. Pallet n° **42**

CE UNI EN 14688 - CL00 Dop-No14688

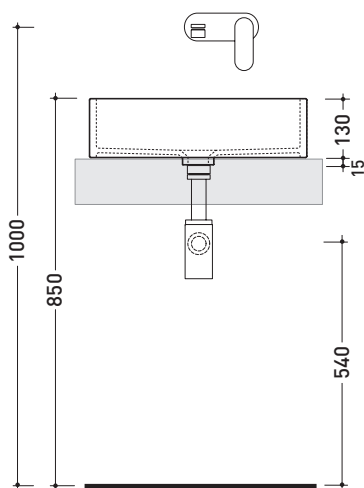


vista zenitale / zenital view

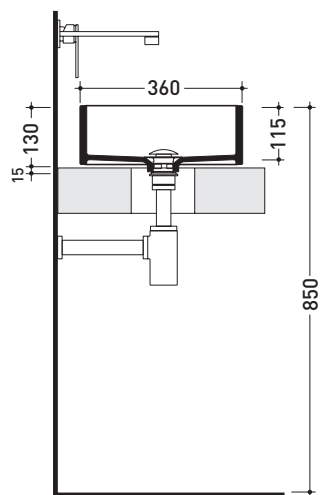
foro consigliato sul piano ø 140
 suggested hole on the top ø140



vista zenitale / zenital view



vista frontale / frontal view



sezione longitudinale / section

sizes in mm

Please consider a 2% tolerance on indicated measurements

CERAMIC: glossy finish

matt finish



METAL



<http://www.ceramicaflaminia.it/en/products/300-miniwash-fly>

©ceramicaflaminiaspa - All rights reserved. Unauthorized copying, publication, reproduction as well as partial reproduction are prohibited

april 2020



Miniwash Fly

➔ **FLAMINIA.**

design **GIULIO CAPPELLINI**

2005

MWL48M + MWS48 Miniwash 48

Wall fixing bracket + countertop basin 48 cm

• WITHOUT OVERFLOW • WITHOUT TAP LEDGE

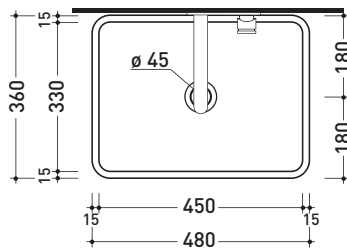
Complements: **Line taps basin: ONE - NOKÈ - SI - X1**
Line accessories: TWO - HOOP - NOKÈ - FOLD

Technical accessories: **Chrome siphon (SIFL/CR) - Telescopic chrome siphon (SIFL066)**
Stop & Go drain (PLSG)
CERAMIC Stop & Go drain (PLCE)

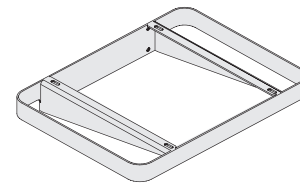
Package dim. basin: **49 x 14,5 x 37,5 cm** | Weight **12,5 kg** | Pz. Pallet n° **42**

Package dim. bracket: **42 x 18 x 44 cm** | Weight **3 kg** | Pz. Pallet n° -

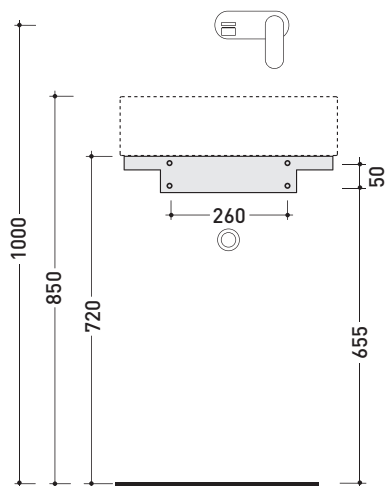
CE UNI EN 14688 - CL00 Dop-No14688



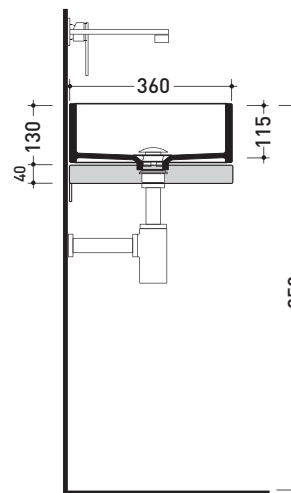
vista zenitale / zenital view



staffa di fissaggio MWS48
MWS48 fixing bracket



vista frontale fissaggio staffa
fixing bracket frontal view



sezione longitudinale / section

sizes in mm

Please consider a 2% tolerance on indicated measurements

STAINLESS STEEL: glossy finish



chrome

<http://www.ceramicaflaminia.it/en/products/300-miniwash-fly>

©ceramicaflaminiaspa - All rights reserved. Unauthorized copying, publication, reproduction as well as partial reproduction are prohibited

april 2020



MW40SP Miniwash 40

Under-counter basin 40 cm

•WITHOUT OVERFLOW •GLAZED EXTERIOR

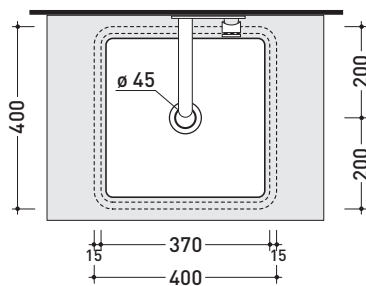
Complements: Fly crystal shelves (FY40PC)
 FlyMax Pietraluce shelves (FY40SP)
 Line taps basin: ONE - NOKÈ - SI - FOLD - X1
 Line accessories: TWO - HOOP - NOKÈ - FOLD

Technical accessories: Chrome siphon (SIFL/CR) - Telescopic chrome siphon (SIFL066)
 Stop & Go drain (PLSG)
 CERAMIC Stop & Go drain (PLCE)
 Two piece set chrome tap filters (RF026)

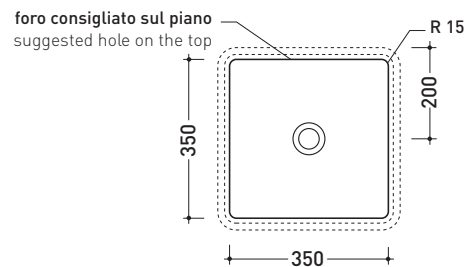
Package dim. 40, 5 x 14, 5 x 42 cm | Weight 14 kg | Pz. Pallet n° 42



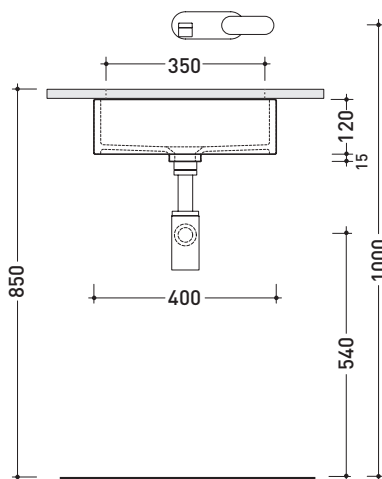
CE UNI EN 14688 - CL00 Dop-No14688



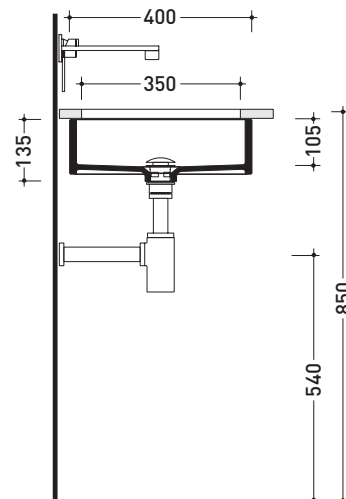
vista zenitale / zenital view



vista zenitale / zenital view



vista frontale / frontal view



sezione longitudinale / section

sizes in mm

Please consider a 2% tolerance on indicated measurements

CERAMIC: glossy finish



matt finish



Miniwash Fly

➔ **FLAMINIA.**

design **GIULIO CAPPELLINI**

2005

MW48SP Miniwash 48

Under-counter basin 48 cm

• WITHOUT OVERFLOW • GLAZED EXTERIOR

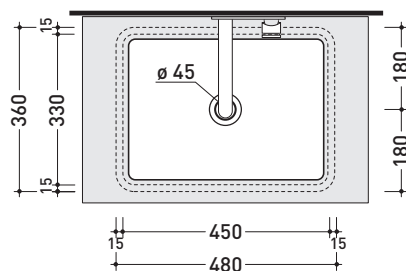
Complements: **Fly crystal tops** (FY48PC)
FlyMax Pietraluce tops (FY48SP)
Line taps basin: ONE - NOKÈ - SI - FOLD - X1
Line accessories: TWO - HOOP - NOKÈ - FOLD

Technical accessories: **Chrome siphon** (SIFL/CR) - **Telescopic chrome siphon** (SIFL066)
Stop & Go drain (PLSG)
CERAMIC Stop & Go drain (PLCE)
Two piece set chrome tap filters (RF026)

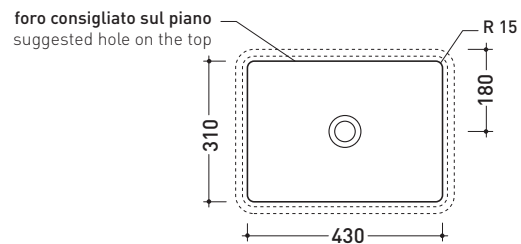
Package dim. **49 x 14,5 x 37,5 cm** | Weight **14,5 kg** | Pz. Pallet n° **42**



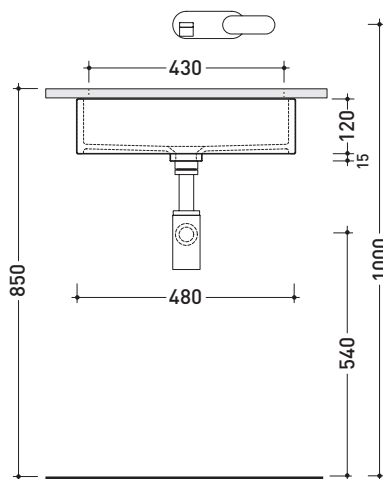
CE UNI EN 14688 - CL00 Dop-No14688



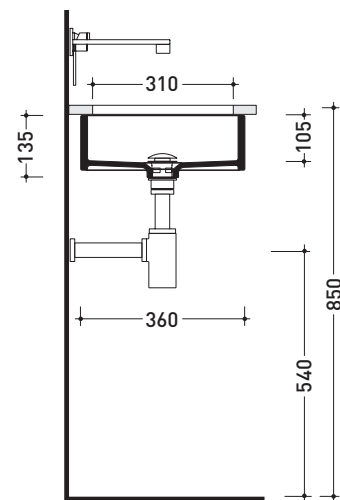
vista zenitale / zenital view



vista zenitale / zenital view



vista frontale / frontal view



sezione longitudinale / section

sizes in mm

Please consider a 2% tolerance on indicated measurements

CERAMIC: glossy finish



matt finish



<http://www.ceramicaflaminia.it/en/products/300-miniwash-fly>

©ceramicaflaminiaspa - All rights reserved. Unauthorized copying, publication, reproduction as well as partial reproduction are prohibited

april 2020



MW60SP Miniwash 60

Under-counter basin 60 cm

•WITHOUT OVERFLOW •GLAZED EXTERIOR

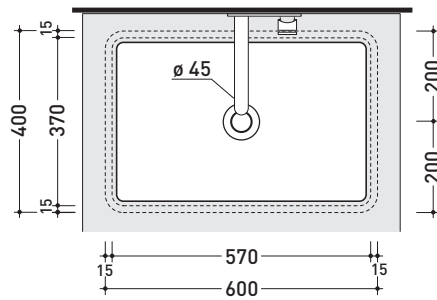
Complements: **Fly crystal tops** (FY60PC)
FlyMax Pietraluce tops (FY60SP)
Line taps basin: ONE - NOKÈ - SI - FOLD - X1
Line accessories: TWO - HOOP - NOKÈ - FOLD

Technical accessories: **Chrome siphon** (SIFL/CR) - **Telescopic chrome siphon** (SIFL066)
Stop & Go drain (PLSG)
CERAMIC Stop & Go drain (PLCE)
Two piece set chrome tap filters (RF026)

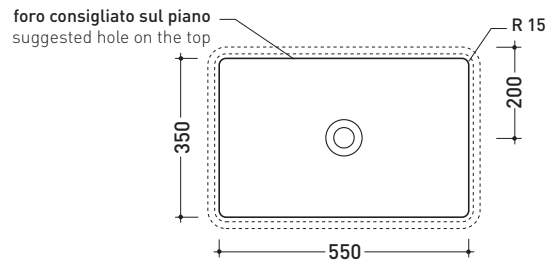
Package dim. **62 x 14,5 x 42 cm** | Weight **18,5 kg** | Pz. Pallet n° **24**



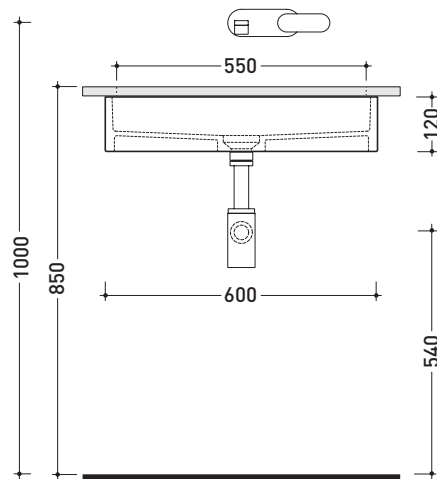
CE UNI EN 14688 - CL00 Dop-No14688



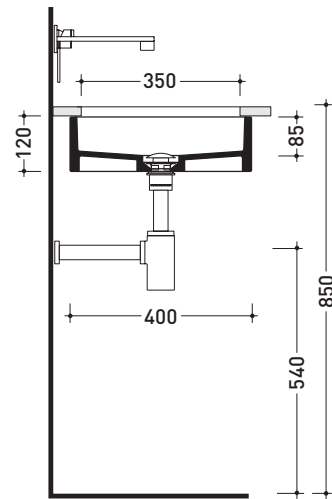
vista zenitale / zenital view



vista zenitale / zenital view



vista frontale / frontal view



sezione longitudinale / section

sizes in mm

Please consider a 2% tolerance on indicated measurements

CERAMIC: glossy finish



matt finish



MW75SP Miniwash 75

Under-counter basin 75 cm

•WITHOUT OVERFLOW •GLAZED EXTERIOR

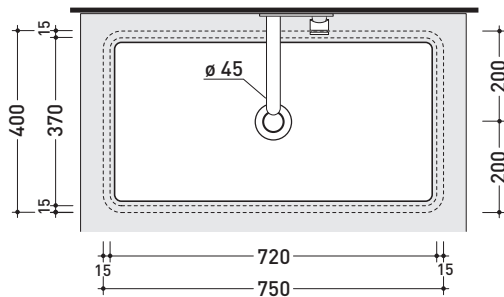
Complements: **Fly crystal tops (FY75PC)**
FlyMax Pietraluce tops (FY75SP)
Line taps basin: ONE - NOKÈ - SI - FOLD - X1
Line accessories: TWO - HOOP - NOKÈ - FOLD

Technical accessories: **Chrome siphon (SIFL/CR) - Telescopic chrome siphon (SIFL066)**
Stop & Go drain (PLSG)
CERAMIC Stop & Go drain (PLCE)
Two piece set chrome tap filters (RF026)

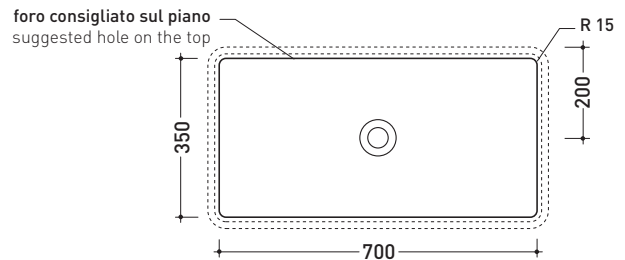
Package dim. **77 x 14,5 x 42 cm** | Weight **21,5 kg** | Pz. Pallet n° **24**



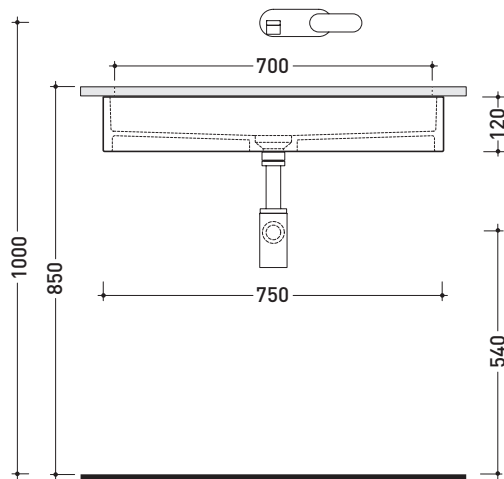
CE UNI EN 14688 - CL00 Dop-No14688



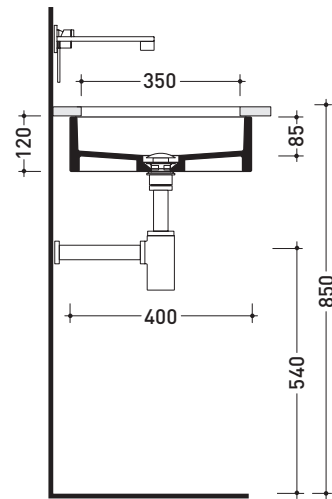
vista zenitale / zenital view



vista zenitale / zenital view



vista frontale / frontal view



sezione longitudinale / section

sizes in mm

Please consider a 2% tolerance on indicated measurements

CERAMIC: glossy finish



matt finish



Miniwash Fly

➔ **FLAMINIA.**

design **FLAMINIA DESIGN TEAM**

2006

FY40PC + MW40SP

Varnished extra_light crystal top from 80 to 200 cm
suitable for Miniwash 40 under-counter basin (fixing brackets included)

Complements: **Miniwash 40 under-counter basin (MW40SP)**

Make-Up mirrors and lamps

Simple mirrors

Hot/Cold mirror (SPHC)

Left/Right mirror (SPLR)

Line mirrors (BASC20 - BASC30 - BASC40)

Taps basin line: ONE - NOKÈ - FOLD - SI - X1

Accessories line: TWO - HOOP - NOKÈ - FOLD

Technical accessories: **Chrome siphon (SIFL/CR) - Telescopic chrome siphon (SIFL066)**

Stop & Go drain (PLSG)

CERAMIC Stop & Go drain (PLCE)

Two piece set chrome tap filters (RF026)

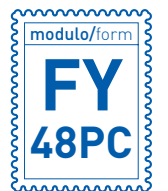
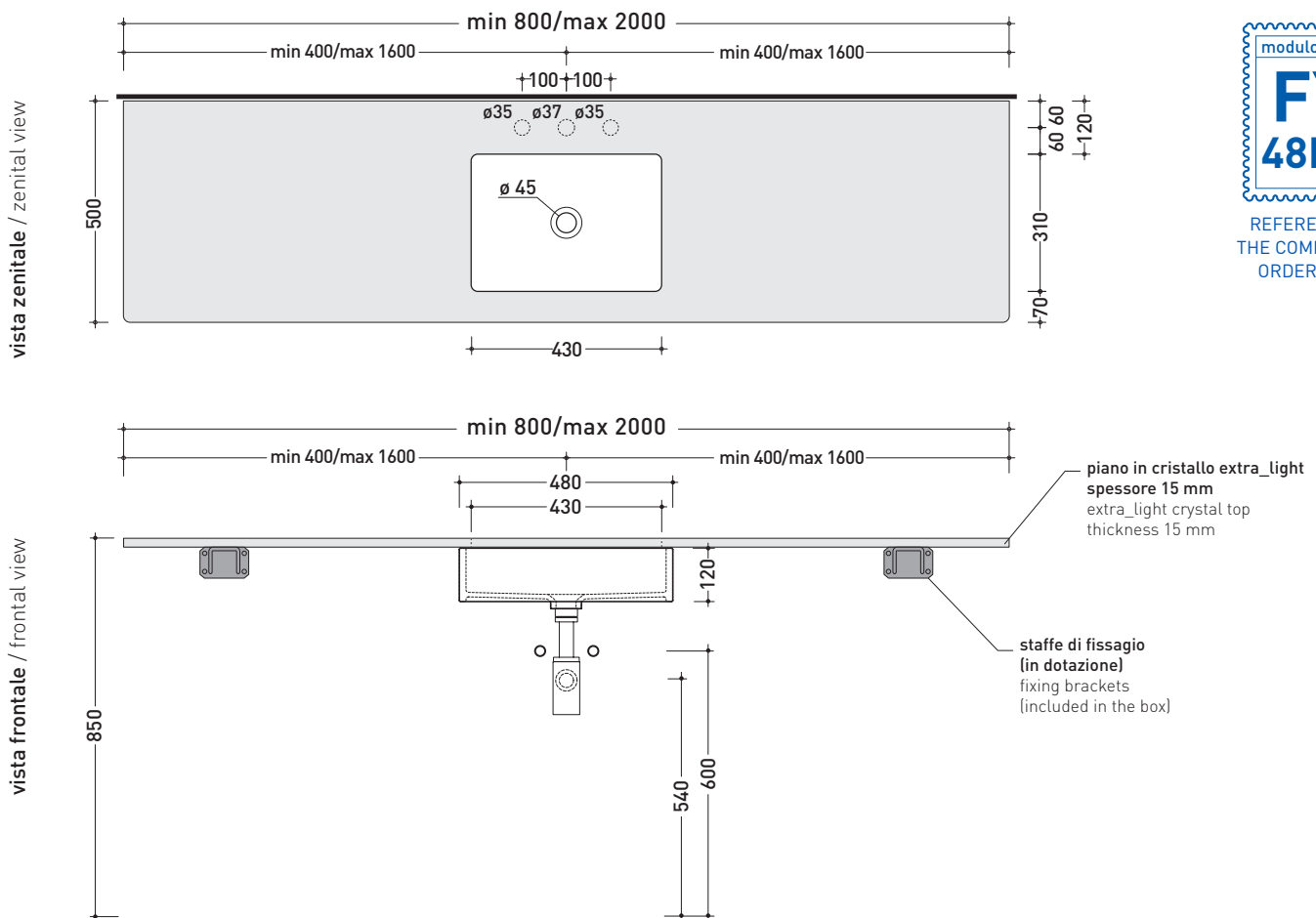
Package dim.

Weight

Pz. Pallet n° -



CE



REFERENCE TO
THE COMPULSORY
ORDER FORM

sizes in mm

Please consider a 2% tolerance on indicated measurements

CRYSTAL: glossy finish



white



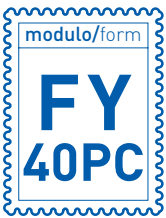
black

<http://www.ceramicaflaminia.it/it/products/300-miniwash-fly>

©ceramicaflaminiaspa - All rights reserved. Unauthorized copying, publication, reproduction as well as partial reproduction are prohibited

april 2020





MODULO PER LA REALIZZAZIONE DEI PIANI IN CRISTALLO **FLY** A MISURA PER ART. **MW40SP**
FLY CUSTOMIZED CRYSTAL SHELVES FOR ART. MW40SP FORM

E' obbligatorio fotocopiare questa pagina, compilarla con cura e allegarla all'ordine.
 Is compulsory to photocopy this page, carefully fill in and attach to the order.

➔➔ **1** DETTAGLI ORDINE / ORDER DETAILS

ordinante - buyer _____ cliente - client _____

ordine - order n: _____ data - date: _____ ref.: _____

annotazioni - notes _____

➔➔ **2** SCELTA ARTICOLO / ITEM CHOICE

E' importante consultare prima la scheda tecnica relativa
 It's important to consult before the technical detail

art. **FY40PC**
 mensola / shelf da / from **80 a / to 200 cm**

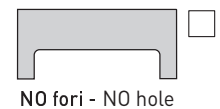
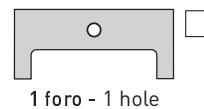
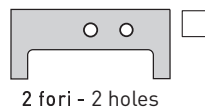
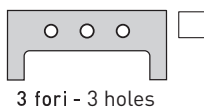
➔➔ **3** SCELTA COLORE / COLOUR SELECTION

CRISTALLO EXTRA_LIGHT
 EXTRA_LIGHT CRYSTAL

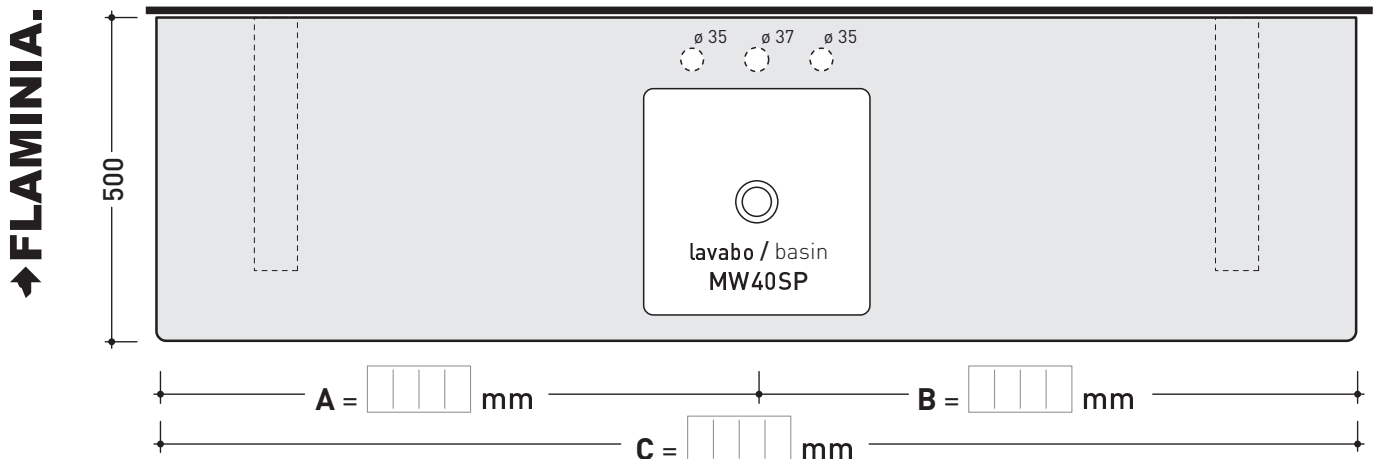
bianco - white nero - black

➔➔ **4** SCELTA DETTAGLI / DETAILS SELECTION

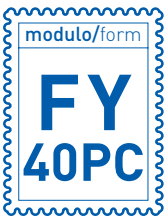
FORI RUBINETTERIA / TAP HOLES



➔➔ **5** SCELTA MISURE / MEASURES



- **A** = misura interasse lavabo da sinistra / left distance of basin.
- **B** = misura interasse lavabo da destra / right distance of basin.
- **C** = misura totale del piano / total length of the shelf.
- verificare sempre che / verify that: **A + B = C**.



MODULO PER LA REALIZZAZIONE DEI PIANI IN CRISTALLO **FLY** A MISURA PER DOPPIO ART. **MW40SP**
FLY CUSTOMIZED CRYSTAL SHELVES FOR DOUBLE ART. MW40SP FORM

E' obbligatorio fotocopiare questa pagina, compilarla con cura e allegarla all'ordine.
 Is compulsory to photocopy this page, carefully fill in and attach to the order.

➔➔ **1** DETTAGLI ORDINE / ORDER DETAILS

ordinante - buyer _____ cliente - client _____

ordine - order n: _____ data - date: _____ ref.: _____

annotazioni - notes _____

➔➔ **2** SCELTA ARTICOLO / ITEM CHOICE

E' importante consultare prima la scheda tecnica relativa
 It's important to consult before the technical detail

art. **FY40PC**
 mensola / shelf da / from **140 a / to 200 cm**

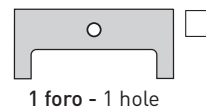
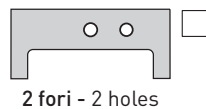
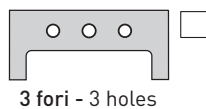
➔➔ **3** SCELTA COLORE / COLOUR SELECTION

CRISTALLO EXTRA_LIGHT
EXTRA_LIGHT CRYSTAL

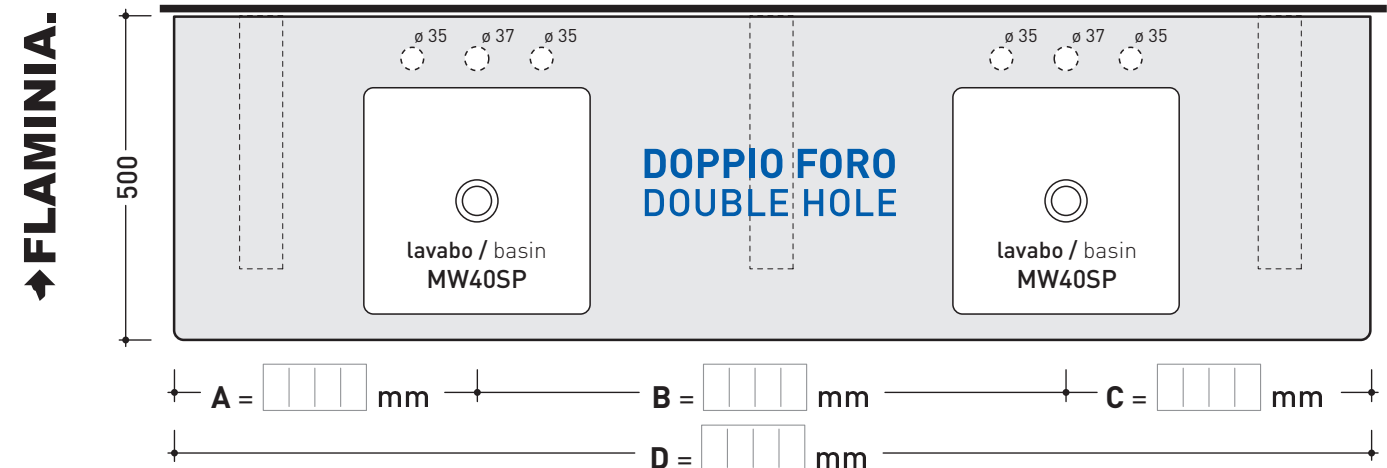
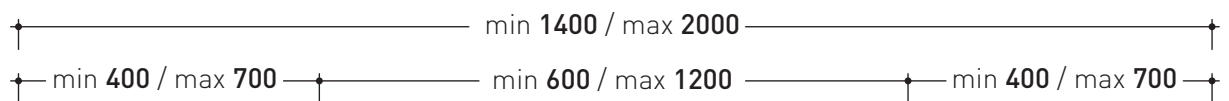
bianco - white nero - black

➔➔ **4** SCELTA DETTAGLI / DETAILS SELECTION

FORI RUBINETTERIA / TAP HOLES



➔➔ **5** SCELTA MISURE / MEASURES



- **A** = misura interasse lavabo da sinistra / left distance of basin.
- **B** = misura interasse lavabo da destra / right distance of basin.
- **C** = misura totale del piano / total length of the shelf.
- verificare sempre che / verify that: **A + B + C = D.**

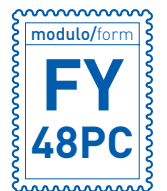
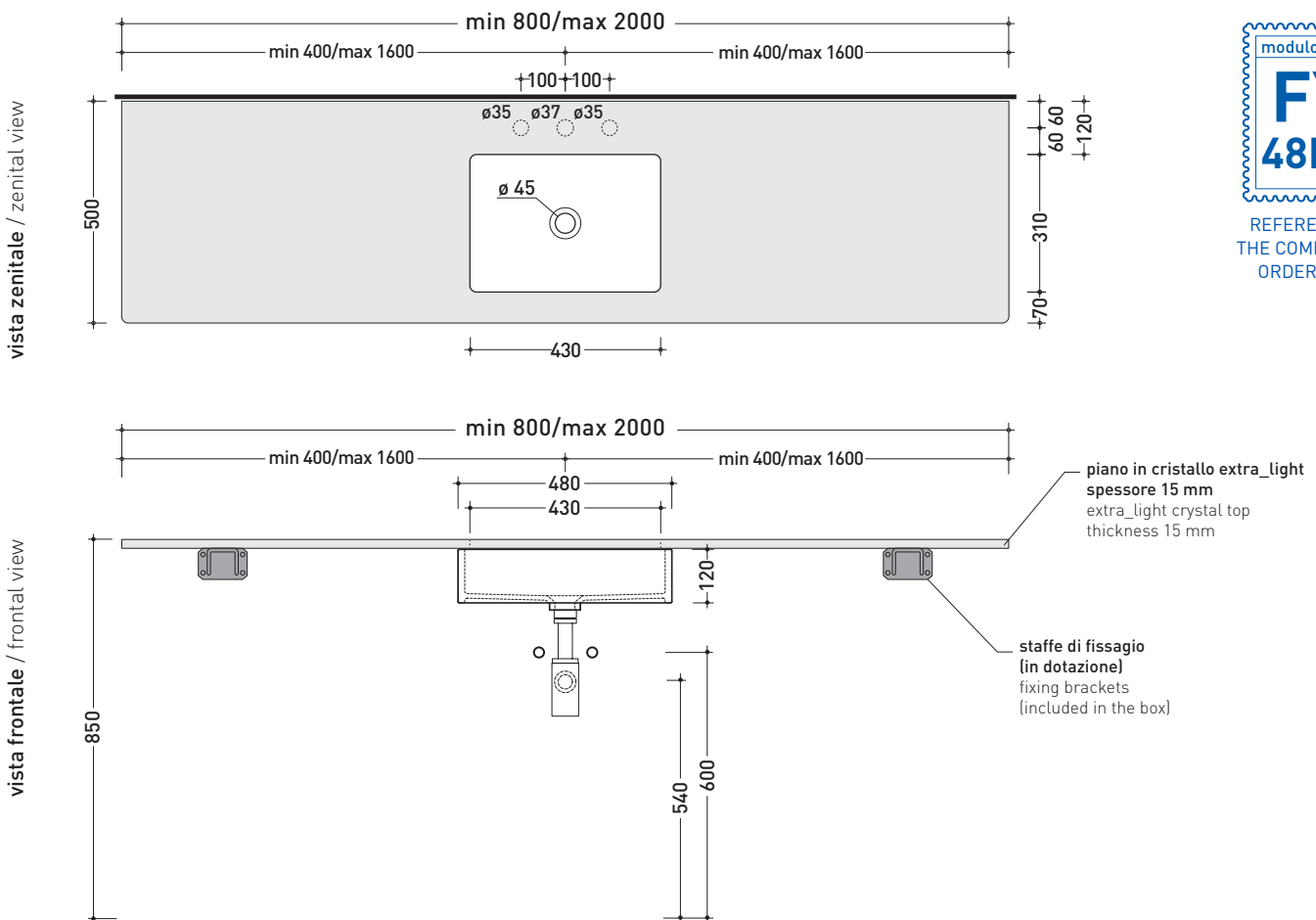
FY48PC + MW48SP

Varnished extra_light crystal top from 80 to 200 cm
suitable for Miniwash 48 under-counter basin (fixing brackets included)

Complements: **Miniwash 48 under-counter basin (MW48SP)**
Make-Up mirrors and lamps
Simple mirrors
Hot/Cold mirror (SPHC)
Left/Right mirror (SPLR)
Line mirrors (BASC20 - BASC30 - BASC40)
Taps basin line: ONE - NOKÈ - FOLD - SI - X1
Accessories line: TWO - HOOP - NOKÈ - FOLD

Technical accessories: **Chrome siphon (SIFL/CR) - Telescopic chrome siphon (SIFL066)**
Stop & Go drain (PLSG)
CERAMIC Stop & Go drain (PLCE)
Two piece set chrome tap filters (RF026)

Package dim. | Weight | Pz. Pallet n° -



REFERENCE TO
THE COMPULSORY
ORDER FORM

sizes in mm

Please consider a 2% tolerance on indicated measurements

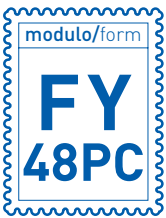
CRYSTAL: glossy finish



white



black



MODULO PER LA REALIZZAZIONE DEI PIANI IN CRISTALLO **FLY** A MISURA PER DOPPIO ART. **MW48SP**

FLY CUSTOMIZED CRYSTAL SHELVES FOR DOUBLE ART. MW48SP FORM



E' obbligatorio fotocopiare questa pagina, compilarla con cura e allegarla all'ordine.
Is compulsory to photocopy this page, carefully fill in and attach to the order.

➔➔ **1**

DETTAGLI ORDINE / ORDER DETAILS

ordinante - buyer _____ cliente - client _____

ordine - order n: _____ data - date: _____ ref.: _____

annotazioni - notes _____

➔➔ **2**

SCelta ARTICOLO / ITEM CHOICE

E' importante consultare prima la scheda tecnica relativa
It's important to consult before the technical detail

art. **FY48PC**
mensola / shelf da / from **140 a / to 200 cm**

➔➔ **3**

SCelta COLORE / COLOUR SELECTION

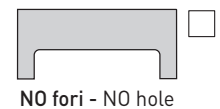
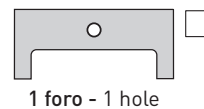
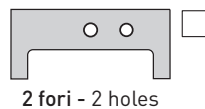
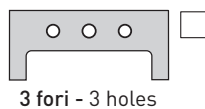
CRISTALLO EXTRA_LIGHT
EXTRA_LIGHT CRYSTAL

bianco - white nero - black

➔➔ **4**

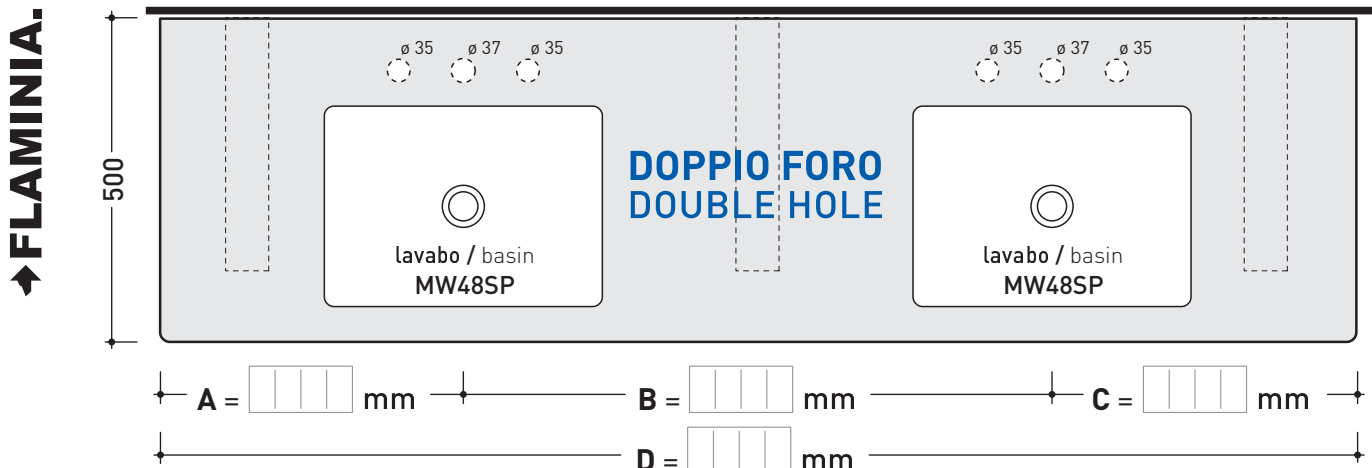
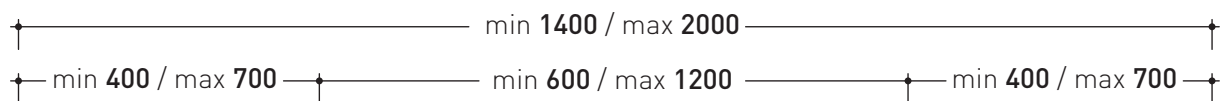
SCelta DETTAGLI / DETAILS SELECTION

FORI RUBINETTERIA / TAP HOLES

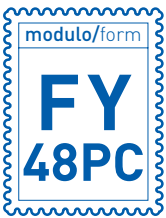


➔➔ **5**

SCelta MISURE / MEASURES



- **A** = misura interasse lavabo da sinistra / left distance of basin.
- **B** = misura interasse lavabo da destra / right distance of basin.
- **C** = misura totale del piano / total length of the shelf.
- verificare sempre che / verify that: **A + B + C = D.**



MODULO PER LA REALIZZAZIONE DEI PIANI IN CRISTALLO **FLY** A MISURA PER DOPPIO ART. **MW48SP**

FLY CUSTOMIZED CRYSTAL SHELVES FOR DOUBLE ART. MW48SP FORM



E' obbligatorio fotocopiare questa pagina, compilarla con cura e allegarla all'ordine.
Is compulsory to photocopy this page, carefully fill in and attach to the order.

➔➔ 1 DETTAGLI ORDINE / ORDER DETAILS

ordinante - buyer _____ cliente - client _____

ordine - order n: _____ data - date: _____ ref.: _____

annotazioni - notes _____

➔➔ 2 SCELTA ARTICOLO / ITEM CHOICE

E' importante consultare prima la scheda tecnica relativa
It's important to consult before the technical detail

art. **FY48PC**
mensola / shelf da / from 140 a / to 200 cm

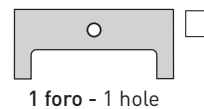
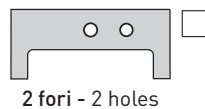
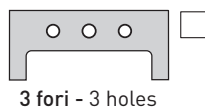
➔➔ 3 SCELTA COLORE / COLOUR SELECTION

CRISTALLO EXTRA_LIGHT
EXTRA_LIGHT CRYSTAL

bianco - white nero - black

➔➔ 4 SCELTA DETTAGLI / DETAILS SELECTION

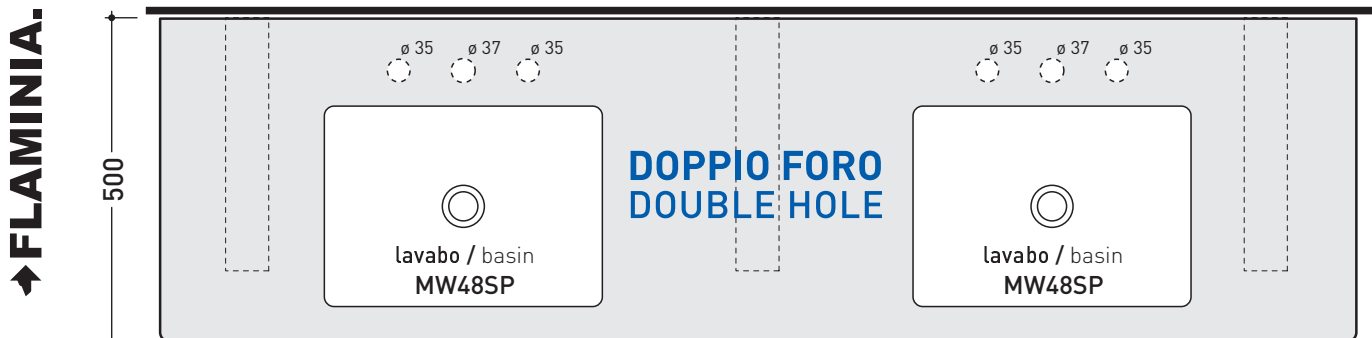
FORI RUBINETTERIA / TAP HOLES



➔➔ 5 SCELTA MISURE / MEASURES

min 1400 / max 2000

min 400 / max 700 min 600 / max 1200 min 400 / max 700



A = mm B = mm C = mm

D = mm

- A = misura interasse lavabo da sinistra / left distance of basin.
- B = misura interasse lavabo da destra / right distance of basin.
- C = misura totale del piano / total length of the shelf.
- verificare sempre che / verify that: **A + B + C = D.**

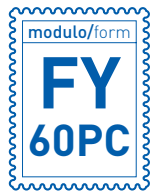
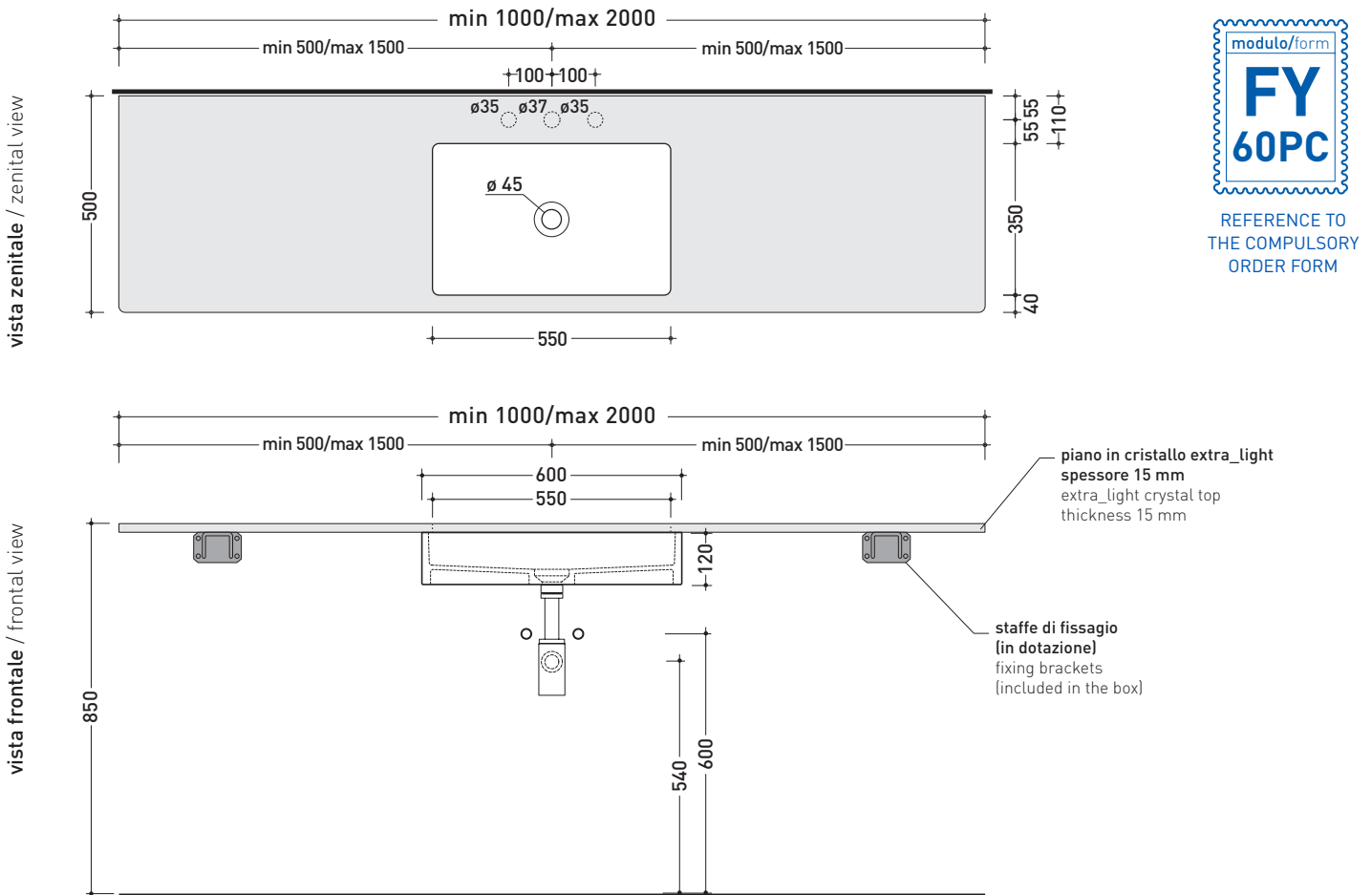
FY60PC + MW60SP

Varnished extra_light crystal top from 100 to 200 cm
suitable for Miniwash 60 under-counter basin (fixing brackets included)

Complements: **Miniwash 60 under-counter basin (MW60SP)**
Make-Up mirrors and lamps
Simple mirrors
Hot/Cold mirror (SPHC)
Left/Right mirror (SPLR)
Line mirrors (BASC20 - BASC30 - BASC40)
Taps basin line: ONE - NOKÈ - FOLD - SI - X1
Accessories line: TWO - HOOP - NOKÈ - FOLD

Technical accessories: **Chrome siphon (SIFL/CR) - Telescopic chrome siphon (SIFL066)**
Stop & Go drain (PLSG)
CERAMIC Stop & Go drain (PLCE)
Two piece set chrome tap filters (RF026)

Package dim. | Weight | Pz. Pallet n° -



REFERENCE TO
THE COMPULSORY
ORDER FORM

sizes in mm

Please consider a 2% tolerance on indicated measurements

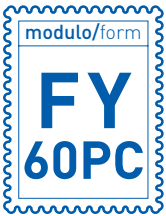
CRYSTAL: glossy finish



white



black



MODULO PER LA REALIZZAZIONE DEI PIANI IN CRISTALLO **FLY** A MISURA PER ART. **MW60SP**
FLY CUSTOMIZED CRYSTAL SHELVES FOR ART. MW60SP FORM

E' obbligatorio fotocopiare questa pagina, compilarla con cura e allegarla all'ordine.
 It is compulsory to photocopy this page, carefully fill in and attach to the order.

➔➔ **1** DETTAGLI ORDINE / ORDER DETAILS

ordinante - buyer _____ cliente - client _____

ordine - order n: _____ data - date: _____ ref.: _____

annotazioni - notes _____

➔➔ **2** SCELTA ARTICOLO / ITEM CHOICE

E' importante consultare prima la scheda tecnica relativa
 It's important to consult before the technical detail

art. **FY60PC**
 mensola / shelf da / from **100 a / to 200 cm**

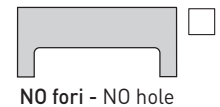
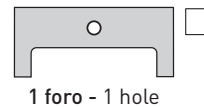
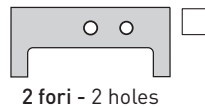
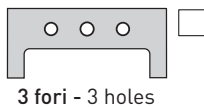
➔➔ **3** SCELTA COLORE / COLOUR SELECTION

CRISTALLO EXTRA_LIGHT
 EXTRA_LIGHT CRYSTAL

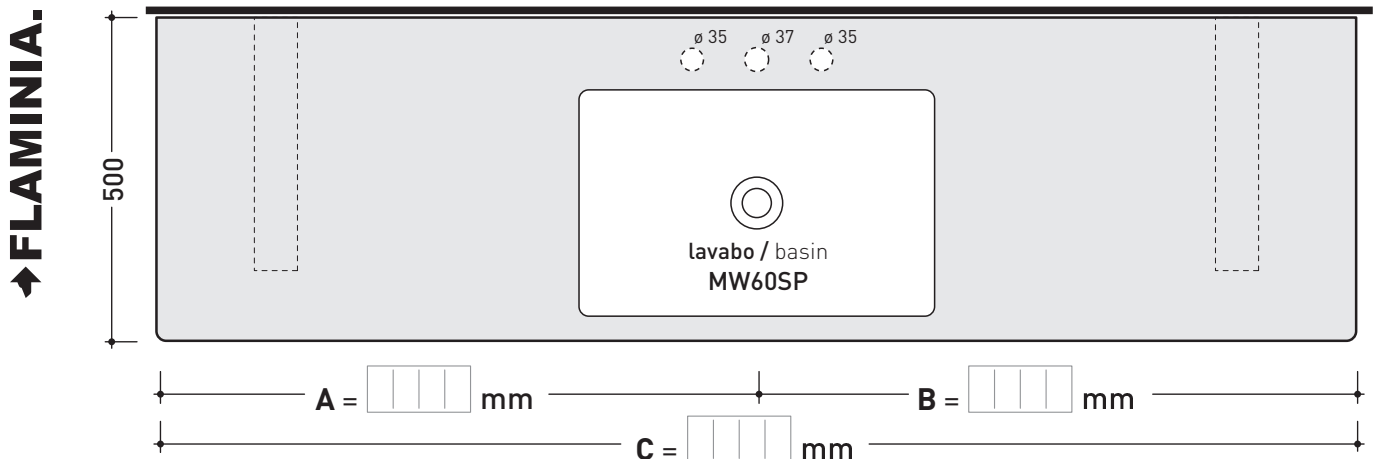
bianco - white nero - black

➔➔ **4** SCELTA DETTAGLI / DETAIL SELECTION

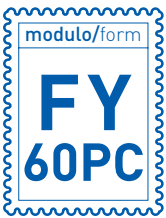
FORI RUBINETTERIA / TAP HOLES



➔➔ **5** SCELTA MISURE / MEASURES



- **A** = misura interasse lavabo da sinistra / left distance of basin.
- **B** = misura interasse lavabo da destra / right distance of basin.
- **C** = misura totale del piano / total length of the shelf.
- verificare sempre che / verify that: **A + B = C**.



MODULO PER LA REALIZZAZIONE DEI PIANI IN CRISTALLO **FLY** A MISURA PER DOPPIO ART. **MW60SP**
FLY CUSTOMIZED CRYSTAL SHELVES FOR DOUBLE ART. MW60SP FORM



E' obbligatorio fotocopiare questa pagina, compilarla con cura e allegarla all'ordine.
 It is compulsory to photocopy this page, carefully fill in and attach to the order.

➔➔ **1** DETTAGLI ORDINE / ORDER DETAILS

ordinante - buyer _____ cliente - client _____

ordine - order n: _____ data - date: _____ ref.: _____

annotazioni - notes _____

➔➔ **2** SCELTA ARTICOLO / ITEM CHOICE

E' importante consultare prima la scheda tecnica relativa
 It's important to consult before the technical detail

art. **FY60PC**
 mensola / shelf da / from **180 a** / to **200 cm**

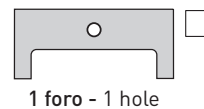
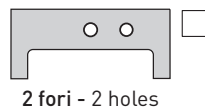
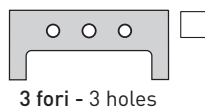
➔➔ **3** SCELTA COLORE / COLOUR SELECTION

CRISTALLO EXTRA_LIGHT
 EXTRA_LIGHT CRYSTAL

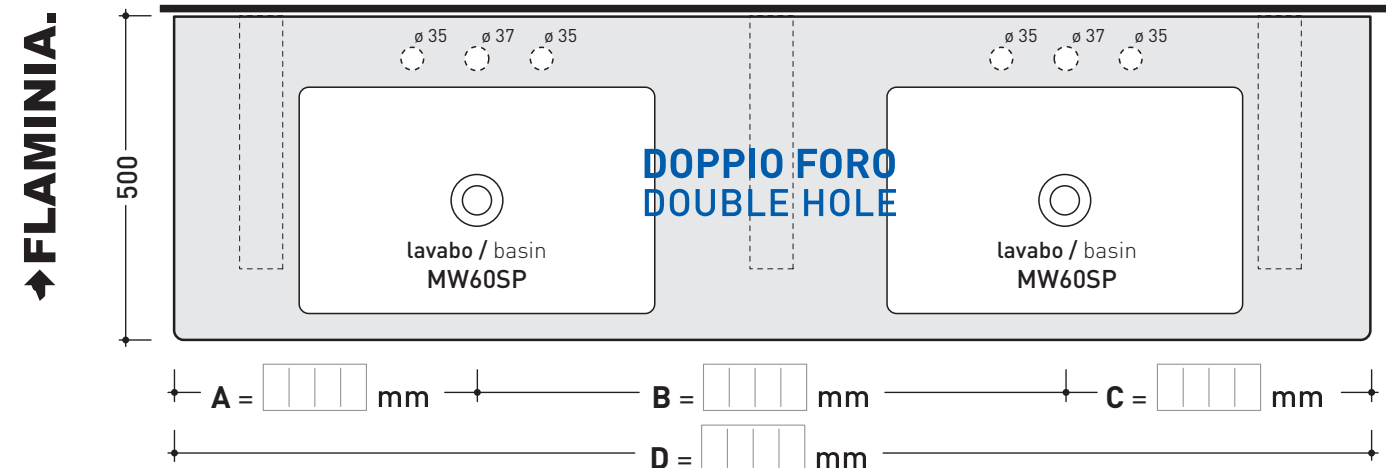
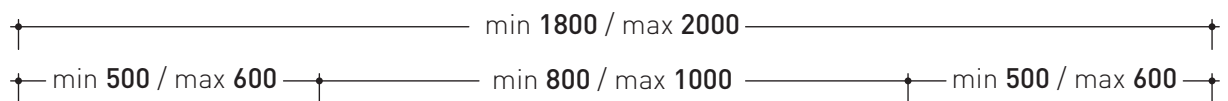
bianco - white nero - black

➔➔ **4** SCELTA DETTAGLI / DETAIL SELECTION

FORI RUBINETTERIA / TAP HOLES



➔➔ **5** SCELTA MISURE / MEASURES



- **A** = misura interasse lavabo da sinistra / left distance of basin.
- **B** = misura interasse lavabi / distance between basins.
- **C** = misura interasse lavabo da destra / right distance of basin.
- **D** = misura totale del piano / total length of the shelf.
- verificare sempre che / verify that: **A + B + C = D.**

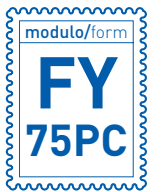
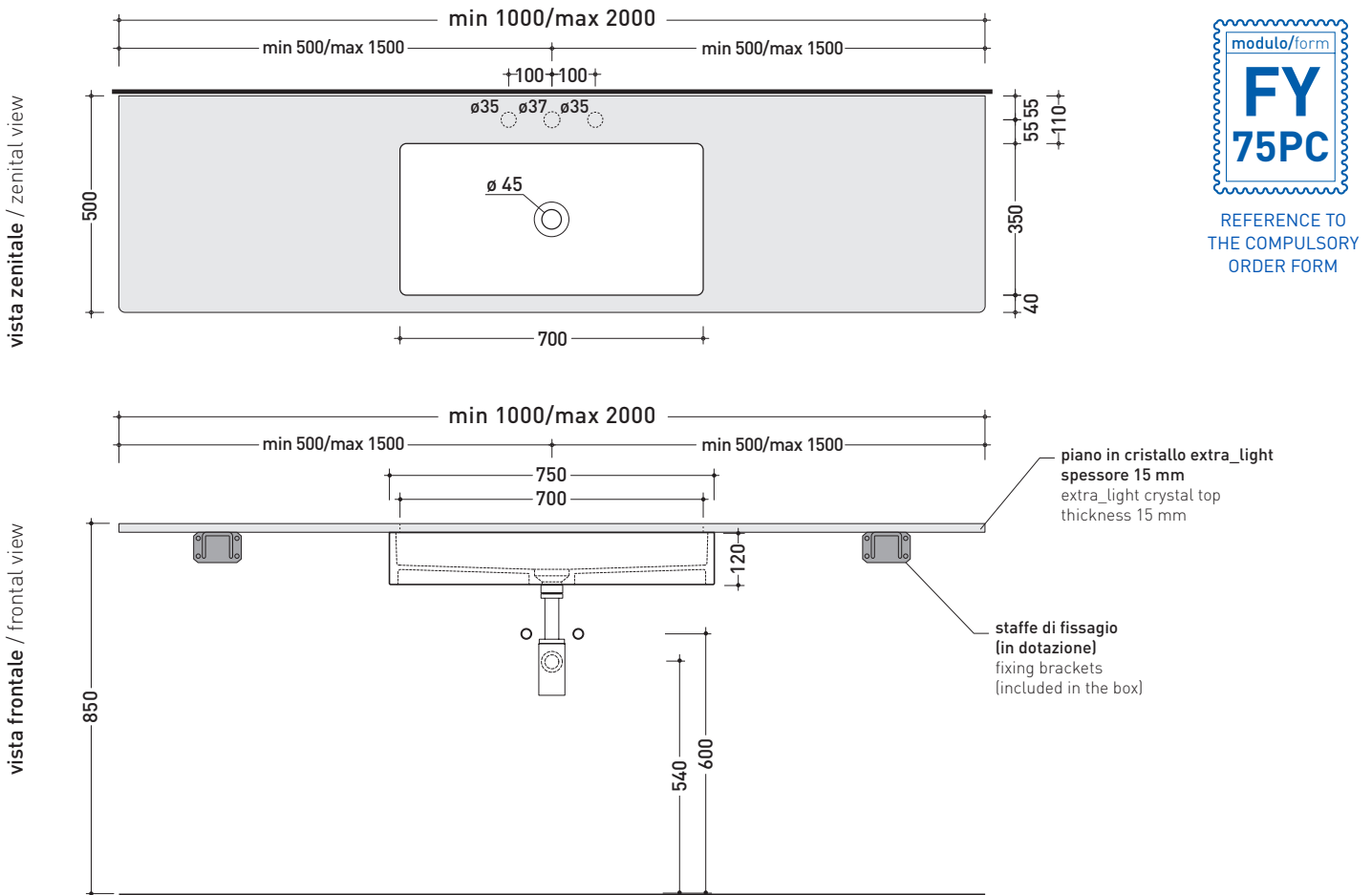
FY75PC + MW75SP

Varnished extra_light crystal top from 100 to 200 cm
suitable for Miniwash 75 under-counter basin (fixing brackets included)

Complements: **Miniwash 75 under-counter basin (MW75SP)**
Make-Up mirrors and lamps
Simple mirrors
Hot/Cold mirror (SPHC)
Left/Right mirror (SPLR)
Line mirrors (BASC20 - BASC30 - BASC40)
Taps basin line: ONE - NOKÈ - FOLD - SI - X1
Accessories line: TWO - HOOP - NOKÈ - FOLD

Technical accessories: **Chrome siphon (SIFL/CR) - Telescopic chrome siphon (SIFL066)**
Stop & Go drain (PLSG)
CERAMIC Stop & Go drain (PLCE)
Two piece set chrome tap filters (RF026)

Package dim. | Weight | Pz. Pallet n° -



REFERENCE TO
THE COMPULSORY
ORDER FORM

sizes in mm

Please consider a 2% tolerance on indicated measurements

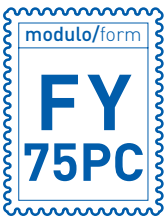
CRYSTAL: glossy finish



white



black



MODULO PER LA REALIZZAZIONE DEI PIANI IN CRISTALLO **FLY** A MISURA PER ART. **MW75SP**
FLY CUSTOMIZED CRYSTAL SHELVES FOR ART. MW75SP FORM

E' obbligatorio fotocopiare questa pagina, compilarla con cura e allegarla all'ordine.
 It is compulsory to photocopy this page, carefully fill in and attach to the order.

➔➔ **1** DETTAGLI ORDINE / ORDER DETAILS

ordinante - buyer _____ cliente - client _____

ordine - order n: _____ data - date: _____ ref.: _____

annotazioni - notes _____

➔➔ **2** SCELTA ARTICOLO / ITEM CHOICE

E' importante consultare prima la scheda tecnica relativa
 It's important to consult before the technical detail

art. **FY75PC**
 mensola / shelf da / from **100 a / to 200 cm**

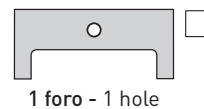
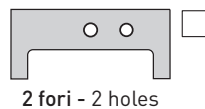
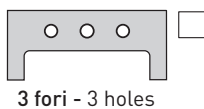
➔➔ **3** SCELTA COLORE / COLOUR SELECTION

CRISTALLO EXTRA_LIGHT
 EXTRA_LIGHT CRYSTAL

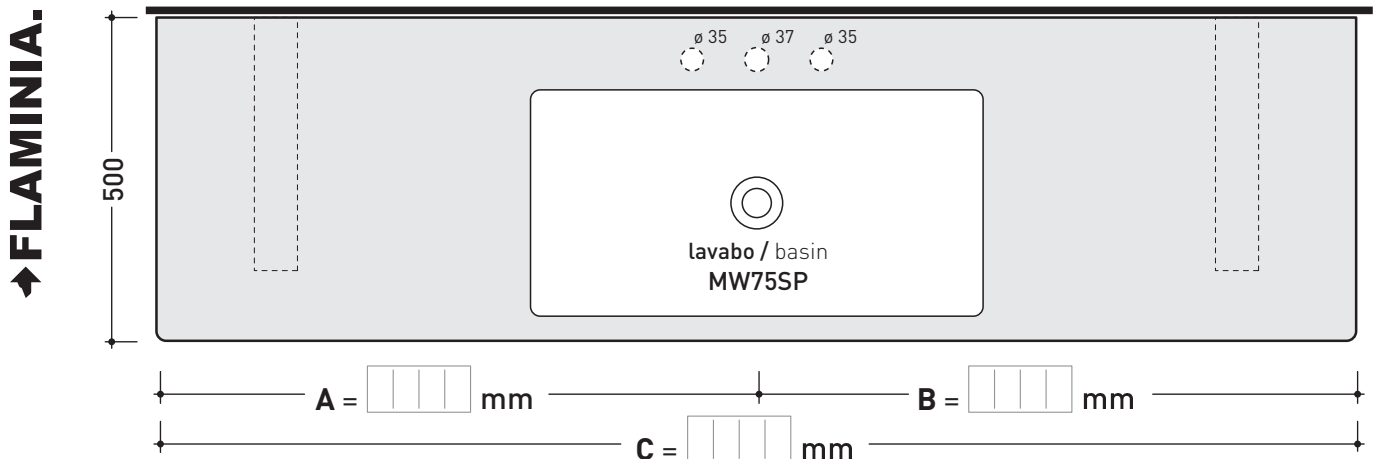
bianco - white nero - black

➔➔ **4** SCELTA DETTAGLI / DETAIL SELECTION

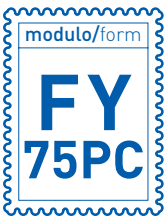
FORI RUBINETTERIA / TAP HOLES



➔➔ **5** SCELTA MISURE / MEASURES



- **A** = misura interasse lavabo da sinistra / left distance of basin.
- **B** = misura interasse lavabo da destra / right distance of basin.
- **C** = misura totale del piano / total length of the shelf.
- verificare sempre che / verify that: **A + B = C**.



MODULO PER LA REALIZZAZIONE DEI PIANI IN CRISTALLO **FLY** A MISURA PER DOPPIO ART. **MW75SP**

FLY CUSTOMIZED CRYSTAL SHELVES FOR DOUBLE ART. **MW75SP** FORM



E' obbligatorio fotocopiare questa pagina, compilarla con cura e allegarla all'ordine.
It is compulsory to photocopy this page, carefully fill in and attach to the order.

➔➔ **1** DETTAGLI ORDINE / ORDER DETAILS

ordinante - buyer _____ cliente - client _____

ordine - order n: _____ data - date: _____ ref.: _____

annotazioni - notes _____

➔➔ **2** SCELTA ARTICOLO / ITEM CHOICE

E' importante consultare prima la scheda tecnica relativa
It's important to consult before the technical detail

art. **FY75PC**
mensola / shelf da / from **190 a** / to **200 cm**

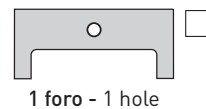
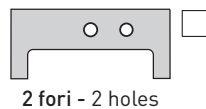
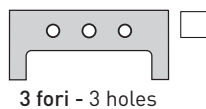
➔➔ **3** SCELTA COLORE / COLOUR SELECTION

CRISTALLO EXTRA_LIGHT
EXTRA_LIGHT CRYSTAL

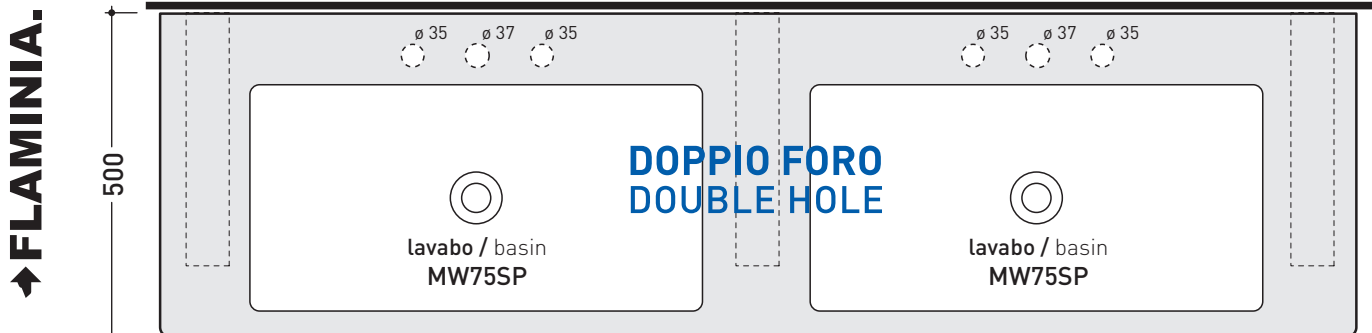
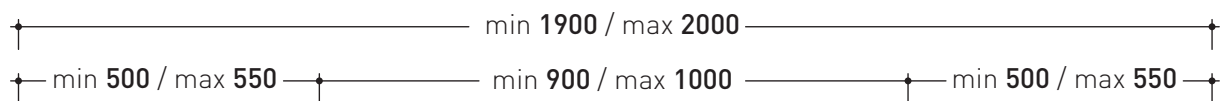
bianco - white nero - black

➔➔ **4** SCELTA DETTAGLI / DETAIL SELECTION

FORI RUBINETTERIA / TAP HOLES



➔➔ **5** SCELTA MISURE / MEASURES



- **A** = misura interasse lavabo da sinistra / left distance of basin.
- **B** = misura interasse lavabi / distance between basins.
- **C** = misura interasse lavabo da destra / right distance of basin.
- **D** = misura totale del piano / total length of the shelf.
- verificare sempre che / verify that: **A + B + C = D.**

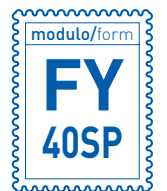
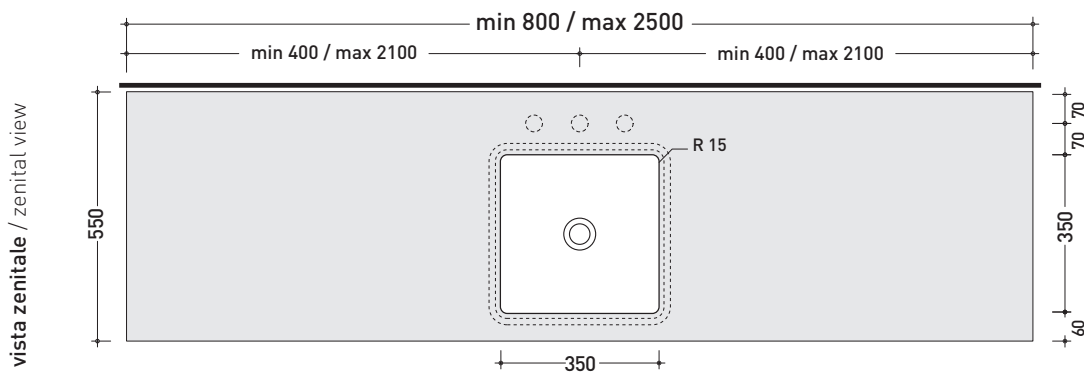
FY40SP+ MW40SP

Pietraluce shelf from 80 to 250 x 55 x h 10 cm
suitable for Miniwash 40 under-counter basin (fixing brackets included)

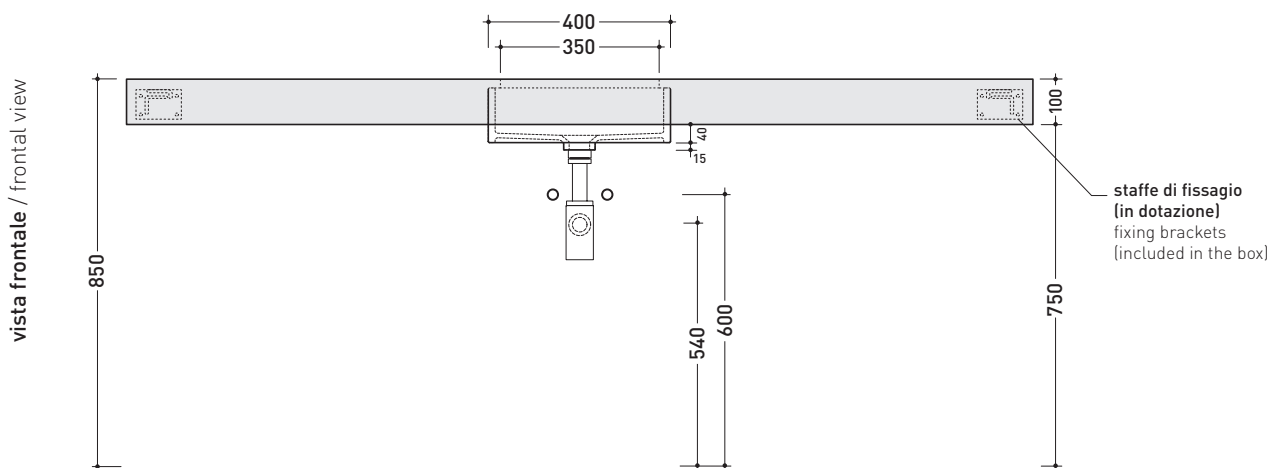
Complements: **Miniwash 40 under-counter basin (MW40SP)**
Make-Up mirrors and lamps
Simple mirrors
Hot/Cold mirror (SPHC)
Left/Right mirror (SPLR)
Line mirrors (BASC20 - BASC30 - BASC40)
Taps basin line: ONE - NOKÉ - FOLD - SI - X1
Accessories line: TWO - HOOP - NOKÉ - FOLD

Technical accessories: **Chrome siphon (SIFL/CR) - Telescopic chrome siphon (SIFL066)**
Stop & Go drain (PLSG)
CERAMIC Stop & Go drain (PLCE)
Two piece set chrome tap filters (RF026)

Package dim. | Weight | Pz. Pallet n° -



REFERENCE TO
THE COMPULSORY
ORDER FORM



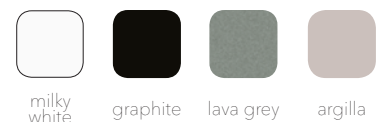
sizes in mm

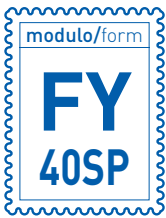
Please consider a 2% tolerance on indicated measurements

PIETRALUCE: glossy finish



matt finish





MODULO PER LA REALIZZAZIONE DELLE MENSOLE **FLYMAX** A MISURA PER ART. **MW40SP**

FLYMAX CUSTOMIZED SHELVES FOR ART. **MW40SP** FORM



E' obbligatorio fotocopiare questa pagina, compilarla con cura e allegarla all'ordine.
It is compulsory to photocopy this page, carefully fill in and attach to the order.

➔➔ 1 DETTAGLI ORDINE / ORDER DETAILS

ordinante - buyer	cliente - client
ordine - order n:	data - date:
ref.:	
annotazioni - notes	

➔➔ 2 SCELTA ARTICOLO / ITEM CHOICE

E' importante consultare prima la scheda tecnica relativa
It's important to consult before the technical detail

art. **FY40SP**
mensola / shelf da / from 142 a / to 250 cm

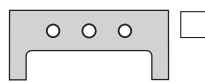
➔➔ 3 SCELTA MATERIALE / MATERIAL SELECTION

PIETRALUCE

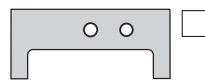
- | | | | |
|---|--|--|---|
| <input type="checkbox"/> bianco - white | <input type="checkbox"/> nero - black | <input type="checkbox"/> blu ultram. - marine blue | <input type="checkbox"/> argilla - argilla |
| <input type="checkbox"/> grigio - grey | <input type="checkbox"/> sabbia - sand | <input type="checkbox"/> grafite - graphite | <input type="checkbox"/> latte - milky white |
| <input type="checkbox"/> beige - beige | <input type="checkbox"/> rosso cuoio - red | | <input type="checkbox"/> gr. lava - lava grey |

➔➔ 4 SCELTA DETTAGLI / DETAIL SELECTION

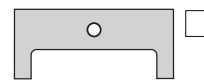
FORI RUBINETTERIA / TAP HOLES



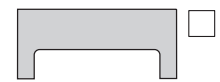
3 fori - 3 holes



2 fori - 2 holes

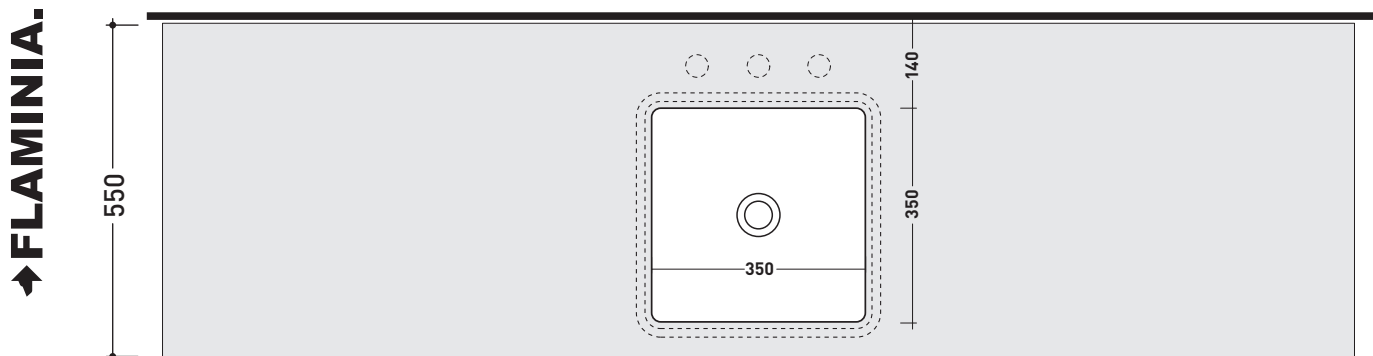


1 foro - 1 hole



NO fori - NO hole

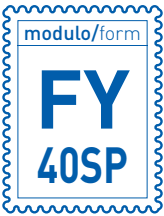
➔➔ 5 SCELTA MISURE / MEASURES



lavabo / basin
MW40SP



- **A** = misura interasse lavabo da sinistra / left distance of basin.
- **B** = misura interasse lavabo da destra / right distance of basin.
- **C** = misura totale della mensola / total length of the shelf.
- verificare sempre che / verify that: **A + B = C**.



MODULO PER LA REALIZZAZIONE DELLE MENSOLE **FLYMAX** A MISURA PER DOPPIO ART. **MW40SP**

FLYMAX CUSTOMIZED SHELVES FOR DOUBLE ART. **MW40SP** FORM



E' obbligatorio fotocopiare questa pagina, compilarla con cura e allegarla all'ordine.
It is compulsory to photocopy this page, carefully fill in and attach to the order.

➔➔ **1**

DETTAGLI ORDINE / ORDER DETAILS

ordinante - buyer _____ cliente - client _____

ordine - order n: _____ data - date: _____ ref.: _____

annotazioni - notes _____

➔➔ **2**

SCelta ARTICOLO / ITEM CHOICE

E' importante consultare prima la scheda tecnica relativa
It's important to consult before the technical detail

art. **FY40SP**
mensola / shelf da / from **148 a / to 250 cm**

➔➔ **3**

SCelta MATERIALE / MATERIAL SELECTION

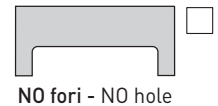
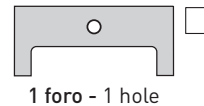
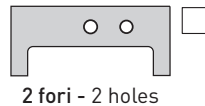
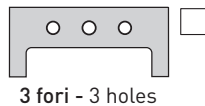
PIETRALUCE

- | | | | |
|---|--|--|---|
| <input type="checkbox"/> bianco - white | <input type="checkbox"/> nero - black | <input type="checkbox"/> blu ultram. - marine blue | <input type="checkbox"/> argilla - argilla |
| <input type="checkbox"/> grigio - grey | <input type="checkbox"/> sabbia - sand | <input type="checkbox"/> grafite - graphite | <input type="checkbox"/> latte - milky white |
| <input type="checkbox"/> beige - beige | <input type="checkbox"/> rosso cuoio - red | | <input type="checkbox"/> gr. lava - lava grey |

➔➔ **4**

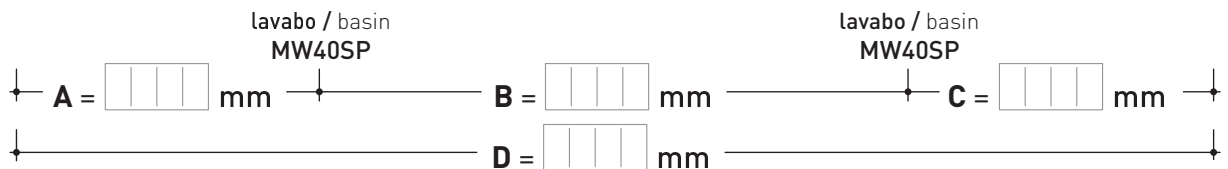
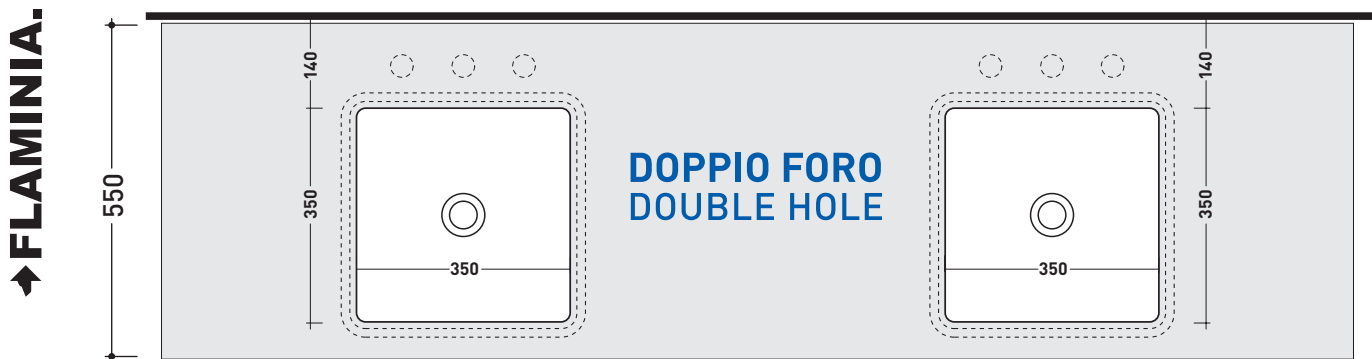
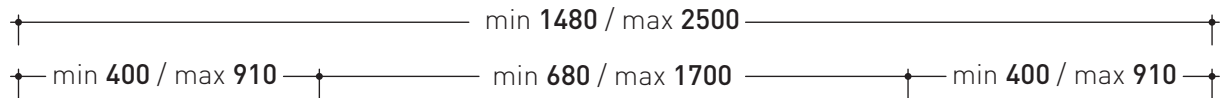
SCelta DETTAGLI / DETAIL SELECTION

FORI RUBINETTERIA / TAP HOLES



➔➔ **5**

SCelta MISURE / MEASURES



- A = misura interasse lavabo da sinistra / left distance of basin.
- B = misura interasse lavabi / distance between basins.
- C = misura interasse lavabo da destra / right distance of basin.
- D = misura totale della mensola / total length of the shelf.
- verificare sempre che / verify that: **A + B + C = D.**

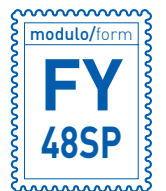
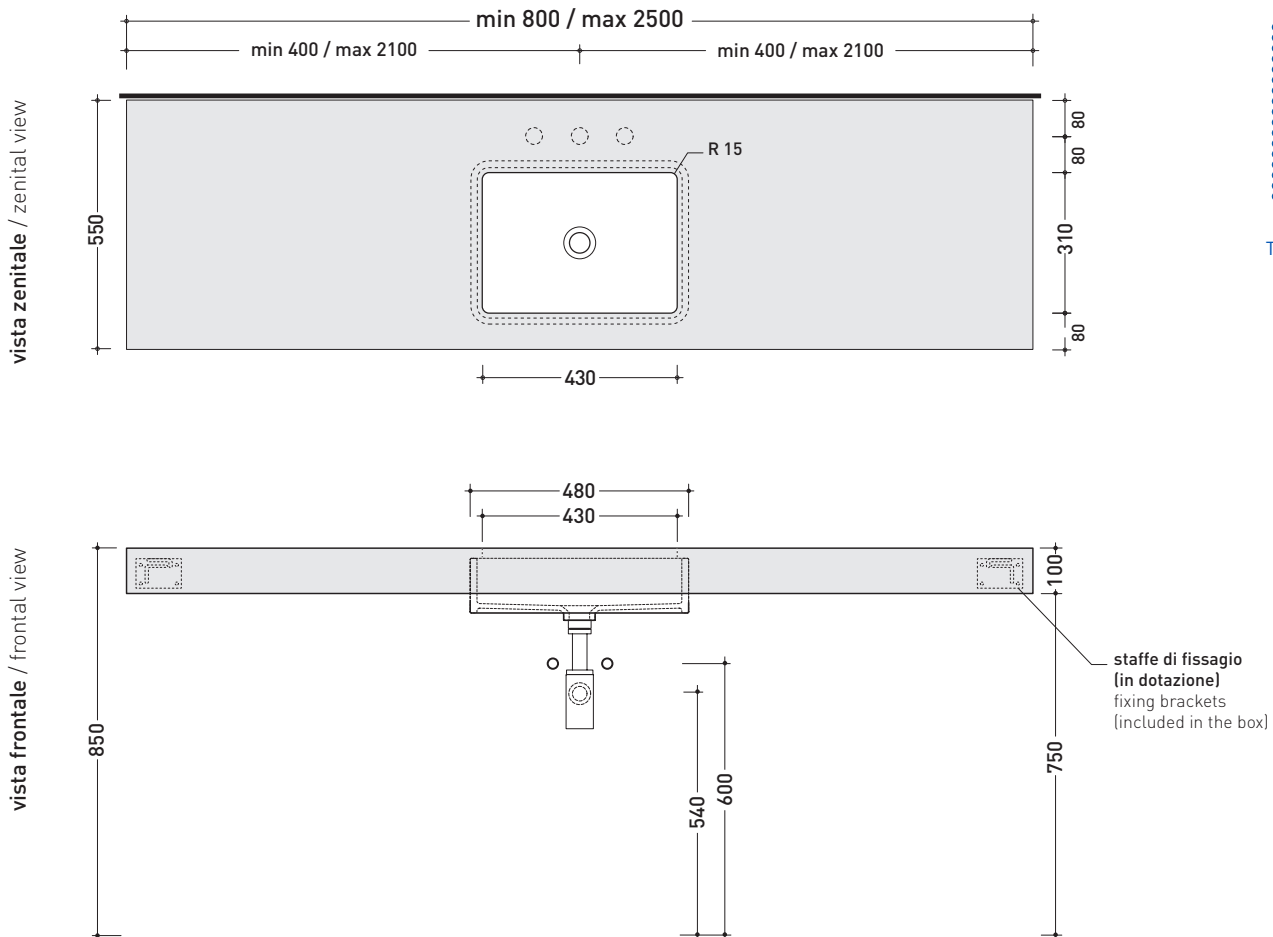
FY48SP + MW48SP

Pietraluce shelf from 80 to 250 x 55 x h 10 cm
suitable for Miniwash 48 under-counter basin (fixing brackets included)

Complements: **Miniwash 48 under-counter basin (MW48SP)**
Make-Up mirrors and lamps
Simple mirrors
Hot/Cold mirror (SPHC)
Left/Right mirror (SPLR)
Line mirrors (BASC20 - BASC30 - BASC40)
Taps basin line: ONE - NOKÉ - FOLD - SI - X1
Accessories line: TWO - HOOP - NOKÉ - FOLD

Technical accessories: **Chrome siphon (SIFL/CR) - Telescopic chrome siphon (SIFL066)**
Stop & Go drain (PLSG)
CERAMIC Stop & Go drain (PLCE)
Two piece set chrome tap filters (RF026)

Package dim. | Weight | Pz. Pallet n° -



REFERENCE TO
THE COMPULSORY
ORDER FORM

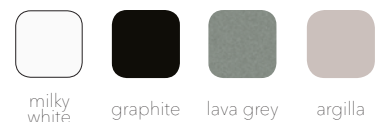
sizes in mm

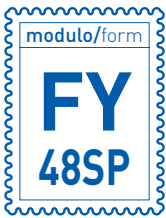
Please consider a 2% tolerance on indicated measurements

PIETRALUCE: glossy finish



matt finish





MODULO PER LA REALIZZAZIONE DELLE MENSOLE **FLYMAX** A MISURA PER ART. **MW48SP**

FLYMAX CUSTOMIZED SHELVES FOR ART. **MW48SP** FORM



E' obbligatorio fotocopiare questa pagina, compilarla con cura e allegarla all'ordine.
It is compulsory to photocopy this page, carefully fill in and attach to the order.

➔➔ **1** DETTAGLI ORDINE / ORDER DETAILS

ordinante - buyer _____ cliente - client _____

ordine - order n: _____ data - date: _____ ref.: _____

annotazioni - notes _____

➔➔ **2** SCELTA ARTICOLO / ITEM CHOICE

E' importante consultare prima la scheda tecnica relativa
It's important to consult before the technical detail

art. **FY48SP**
mensola / shelf da / from **80 a / to 250 cm**

➔➔ **3** SCELTA MATERIALE / MATERIAL SELECTION

PIETRALUCE

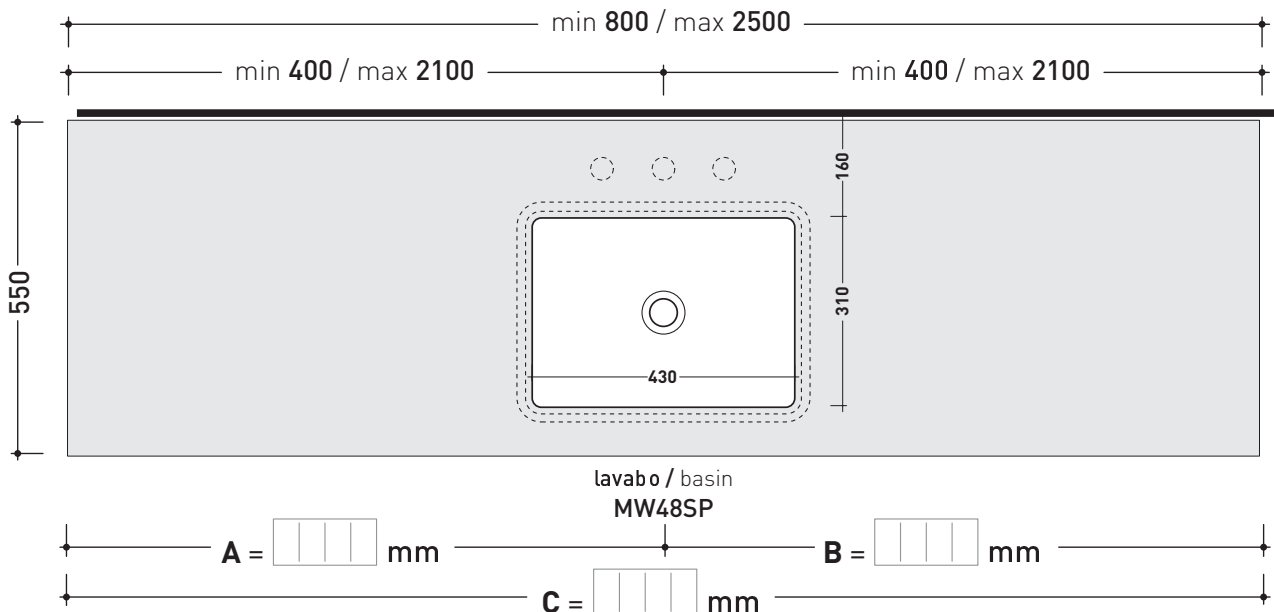
- | | | | |
|---|--|--|---|
| <input type="checkbox"/> bianco - white | <input type="checkbox"/> nero - black | <input type="checkbox"/> blu ultram. - marine blue | <input type="checkbox"/> argilla - argilla |
| <input type="checkbox"/> grigio - grey | <input type="checkbox"/> sabbia - sand | <input type="checkbox"/> grafite - graphite | <input type="checkbox"/> latte - milky white |
| <input type="checkbox"/> beige - beige | <input type="checkbox"/> rosso cuoio - red | | <input type="checkbox"/> gr. lava - lava grey |

➔➔ **4** SCELTA DETTAGLI / DETAIL SELECTION

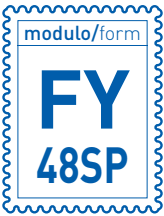
FORI RUBINETTERIA / TAP HOLES



➔➔ **5** SCELTA MISURE / MEASURES



- **A** = misura interasse lavabo da sinistra / left distance of basin.
- **B** = misura interasse lavabo da destra / right distance of basin.
- **C** = misura totale della mensola / total length of the shelf.
- verificare sempre che / verify that: **A + B = C.**



MODULO PER LA REALIZZAZIONE DELLE MENSOLE **FLYMAX** A MISURA PER DOPPIO ART. **MW48SP**

FLYMAX CUSTOMIZED SHELVES FOR DOUBLE ART. **MW48SP** FORM



E' obbligatorio fotocopiare questa pagina, compilarla con cura e allegarla all'ordine.
It is compulsory to photocopy this page, carefully fill in and attach to the order.

➔➔ **1**

DETTAGLI ORDINE / ORDER DETAILS

ordinante - buyer _____ cliente - client _____

ordine - order n: _____ data - date: _____ ref.: _____

annotazioni - notes _____

➔➔ **2**

SCelta ARTICOLO / ITEM CHOICE

E' importante consultare prima la scheda tecnica relativa
It's important to consult before the technical detail

art. **FY48SP**
mensola / shelf da / from **148 a / to 250 cm**

➔➔ **3**

SCelta MATERIALE / MATERIAL SELECTION

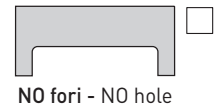
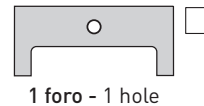
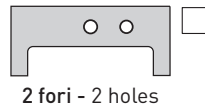
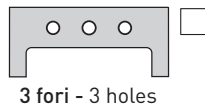
PIETRALUCE

- | | | | |
|---|--|--|---|
| <input type="checkbox"/> bianco - white | <input type="checkbox"/> nero - black | <input type="checkbox"/> blu ultram. - marine blue | <input type="checkbox"/> argilla - argilla |
| <input type="checkbox"/> grigio - grey | <input type="checkbox"/> sabbia - sand | <input type="checkbox"/> grafite - graphite | <input type="checkbox"/> latte - milky white |
| <input type="checkbox"/> beige - beige | <input type="checkbox"/> rosso cuoio - red | | <input type="checkbox"/> gr. lava - lava grey |

➔➔ **4**

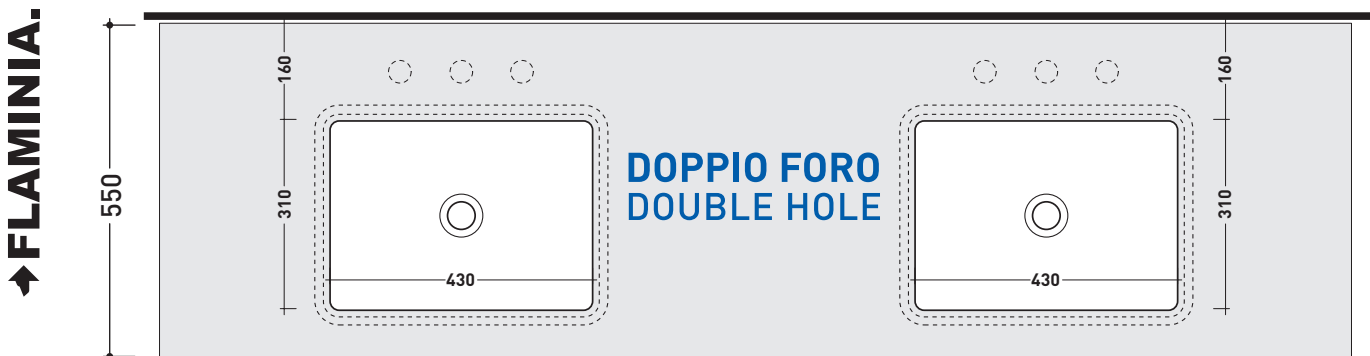
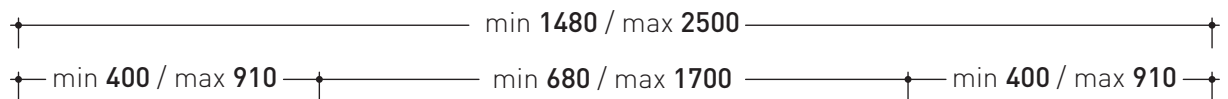
SCelta DETTAGLI / DETAIL SELECTION

FORI RUBINETTERIA / TAP HOLES

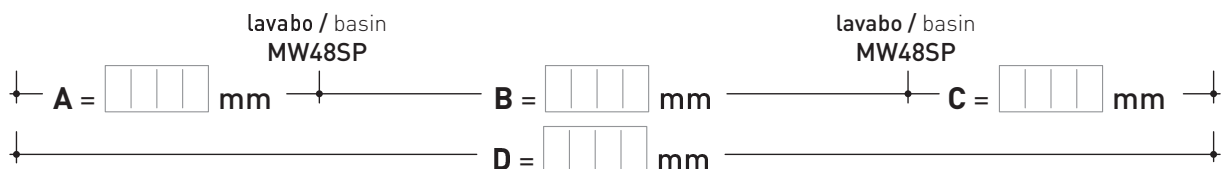


➔➔ **5**

SCelta MISURE / MEASURES



➔ **FLAMINIA.**



- A = misura interasse lavabo da sinistra / left distance of basin.
- B = misura interasse lavabi / distance between basins.
- C = misura interasse lavabo da destra / right distance of basin.
- D = misura totale della mensola / total length of the shelf.
- verificare sempre che / verify that: **A + B + C = D.**

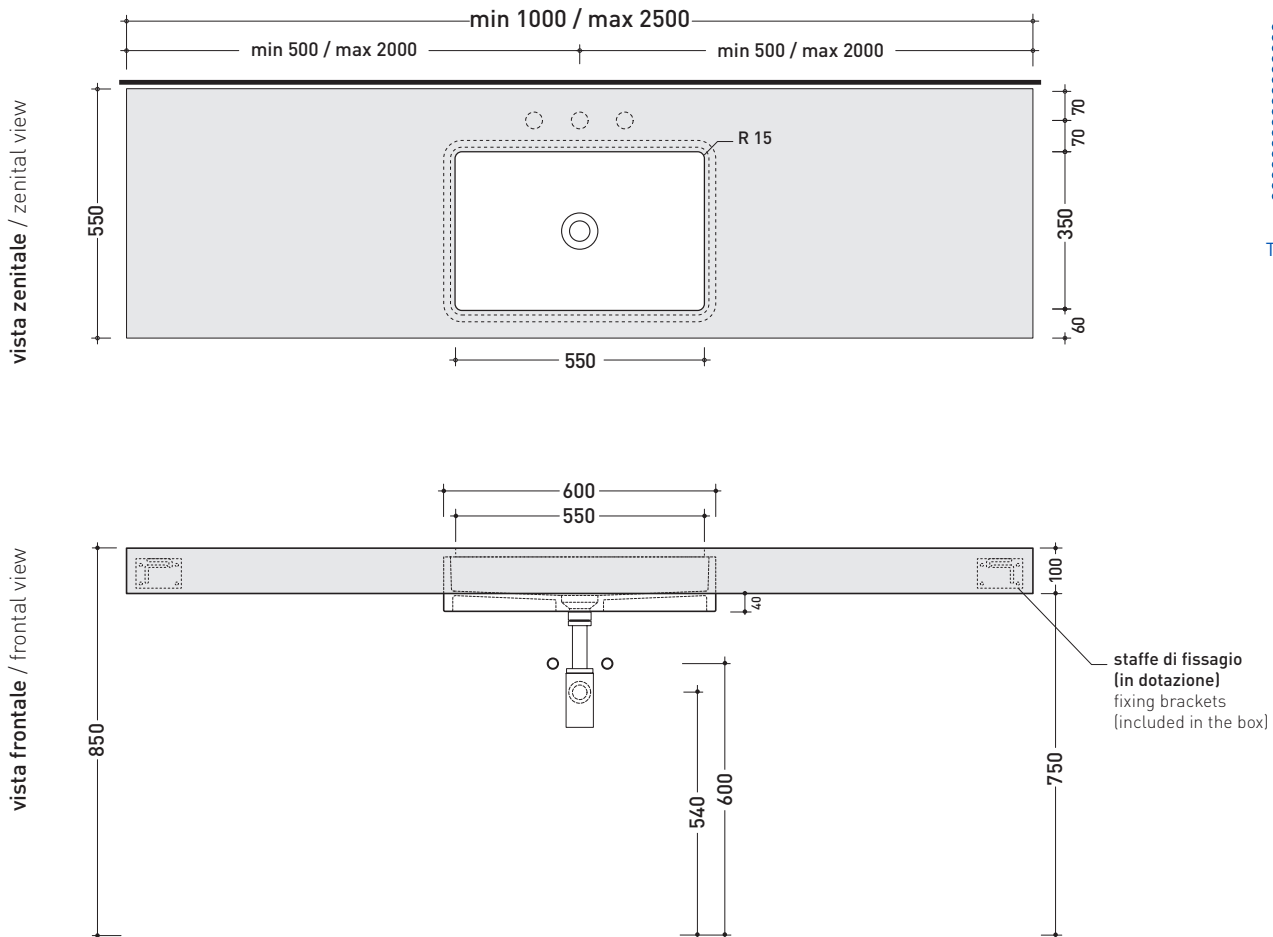
FY60SP + MW60SP

Pietraluce shelf from 100 to 250 x 55 x h 10 cm
suitable for Miniwash 60 under-counter basin (fixing brackets included)

Complements: **Miniwash 60 under-counter basin (MW60SP)**
Make-Up mirrors and lamps
Simple mirrors
Hot/Cold mirror (SPHC)
Left/Right mirror (SPLR)
Line mirrors (BASC20 - BASC30 - BASC40)
Taps basin line: ONE - NOKÉ - FOLD - SI - X1
Accessories line: TWO - HOOP - NOKÉ - FOLD

Technical accessories: **Chrome siphon (SIFL/CR) - Telescopic chrome siphon (SIFL066)**
Stop & Go drain (PLSG)
CERAMIC Stop & Go drain (PLCE)
Two piece set chrome tap filters (RF026)

Package dim. | Weight | Pz. Pallet n° -



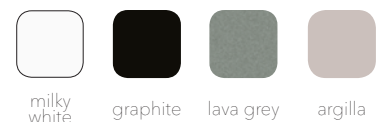
sizes in mm

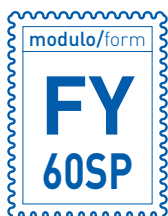
Please consider a 2% tolerance on indicated measurements

PIETRALUCE: glossy finish



matt finish





MODULO PER LA REALIZZAZIONE DELLE MENSOLE **FLYMAX** A MISURA PER ART. **MW60SP**

FLYMAX CUSTOMIZED SHELVES FOR ART. **MW60SP** FORM



E' obbligatorio fotocopiare questa pagina, compilarla con cura e allegarla all'ordine.
It is compulsory to photocopy this page, carefully fill in and attach to the order.

➔➔ 1 DETTAGLI ORDINE / ORDER DETAILS

ordinante - buyer cliente - client

ordine - order n: _____ data - date: _____ ref.: _____

annotazioni - notes _____

➔➔ 2 SCELTA ARTICOLO / ITEM CHOICE

E' importante consultare prima la scheda tecnica relativa
It's important to consult before the technical detail

art. **FY60SP**
mensola / shelf da / from **100 a / to 250 cm**

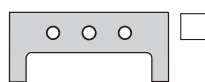
➔➔ 3 SCELTA MATERIALE / MATERIAL SELECTION

PIETRALUCE

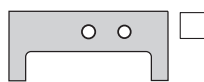
- | | | | |
|---|--|--|---|
| <input type="checkbox"/> bianco - white | <input type="checkbox"/> nero - black | <input type="checkbox"/> blu ultram. - marine blue | <input type="checkbox"/> argilla - argilla |
| <input type="checkbox"/> grigio - grey | <input type="checkbox"/> sabbia - sand | <input type="checkbox"/> grafite - graphite | <input type="checkbox"/> latte - milky white |
| <input type="checkbox"/> beige - beige | <input type="checkbox"/> rosso cuoio - red | | <input type="checkbox"/> gr. lava - lava grey |

➔➔ 4 SCELTA DETTAGLI / DETAIL SELECTION

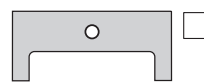
FORI RUBINETTERIA / TAP HOLES



3 fori - 3 holes



2 fori - 2 holes



1 foro - 1 hole

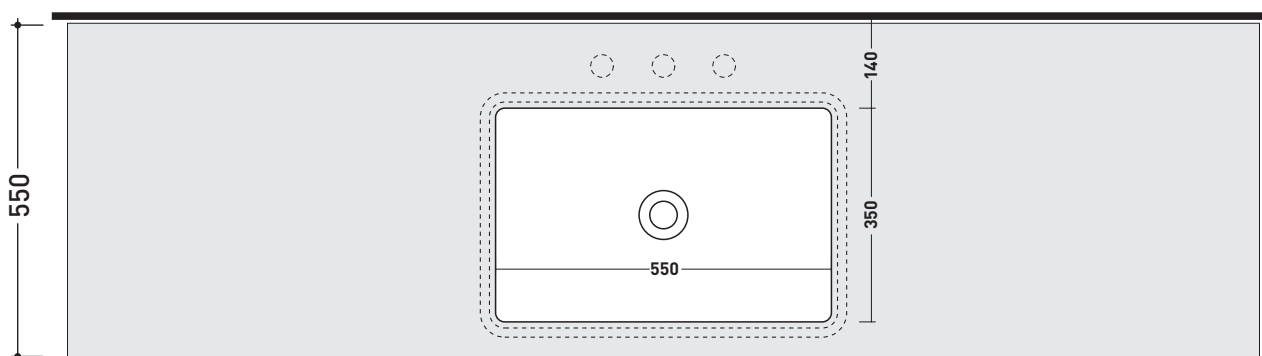


NO fori - NO hole

➔➔ 5 SCELTA MISURE / MEASURES



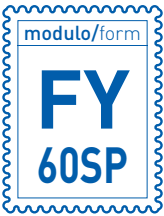
➔ FLAMINIA



lavabo / basin
MW60SP



- **A** = misura interasse lavabo da sinistra / left distance of basin.
- **B** = misura interasse lavabo da destra / right distance of basin.
- **C** = misura totale della mensola / total length of the shelf.
- verificare sempre che / verify that: **A + B = C**.



MODULO PER LA REALIZZAZIONE DELLE MENSOLE **FLYMAX** A MISURA PER DOPPIO ART. **MW60SP**

FLYMAX CUSTOMIZED SHELVES FOR DOUBLE ART. **MW60SP** FORM



E' obbligatorio fotocopiare questa pagina, compilarla con cura e allegarla all'ordine.
It is compulsory to photocopy this page, carefully fill in and attach to the order.

➔➔ **1** DETTAGLI ORDINE / ORDER DETAILS

ordinante - buyer _____ cliente - client _____

ordine - order n: _____ data - date: _____ ref.: _____

annotazioni - notes _____

➔➔ **2** SCELTA ARTICOLO / ITEM CHOICE

E' importante consultare prima la scheda tecnica relativa
It's important to consult before the technical detail

art. **FY60SP**
mensola / shelf da / from **180 a / to 250 cm**

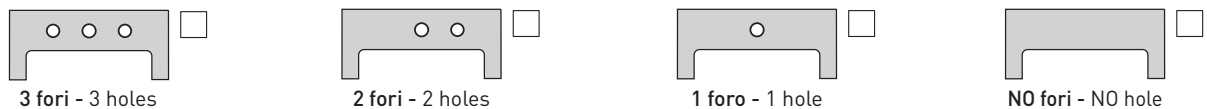
➔➔ **3** SCELTA MATERIALE / MATERIAL SELECTION

PIETRALUCE

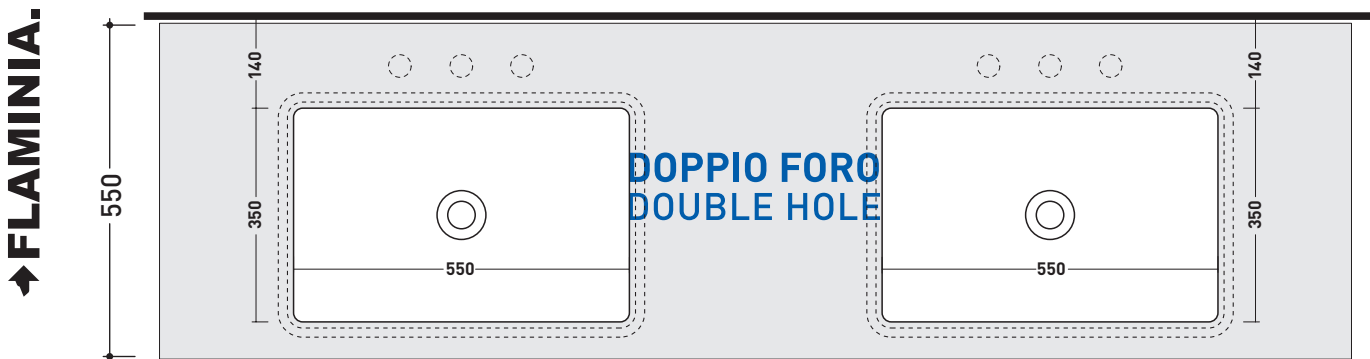
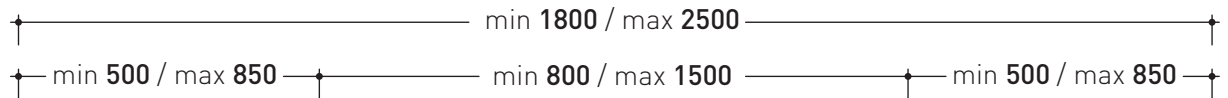
- | | | | |
|---|--|--|---|
| <input type="checkbox"/> bianco - white | <input type="checkbox"/> nero - black | <input type="checkbox"/> blu ultram. - marine blue | <input type="checkbox"/> argilla - argilla |
| <input type="checkbox"/> grigio - grey | <input type="checkbox"/> sabbia - sand | <input type="checkbox"/> grafite - graphite | <input type="checkbox"/> latte - milky white |
| <input type="checkbox"/> beige - beige | <input type="checkbox"/> rosso cuoio - red | | <input type="checkbox"/> gr. lava - lava grey |

➔➔ **4** SCELTA DETTAGLI / DETAIL SELECTION

FORI RUBINETTERIA / TAP HOLES



➔➔ **5** SCELTA MISURE / MEASURES



lavabo / basin MW60SP lavabo / basin MW60SP

A = mm B = mm C = mm

D = mm

- A = misura interasse lavabo da sinistra / left distance of basin.
- B = misura interasse lavabi / distance between basins.
- C = misura interasse lavabo da destra / right distance of basin.
- D = misura totale della mensola / total length of the shelf.
- verificare sempre che / verify that: **A + B + C = D.**

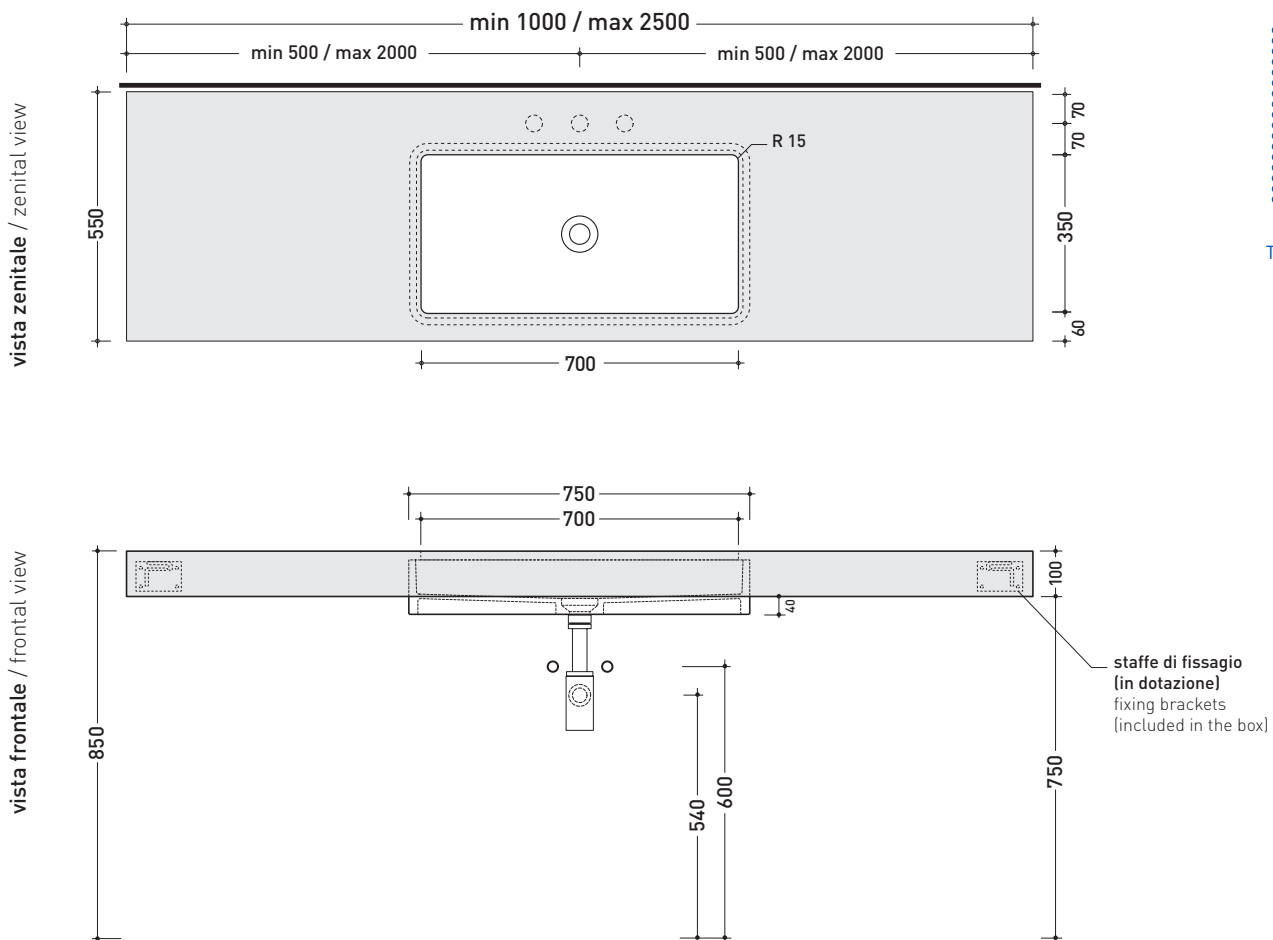
FY75SP + MW75SP

Pietraluce shelf from 100 to 250 x 55 x h 10 cm
suitable for Miniwash 75 under-counter basin (fixing brackets included)

Complements: **Miniwash 75 under-counter basin (MW75SP)**
Make-Up mirrors and lamps
Simple mirrors
Hot/Cold mirror (SPHC)
Left/Right mirror (SPLR)
Line mirrors (BASC20 - BASC30 - BASC40)
Taps basin line: ONE - NOKÉ - FOLD - SI - X1
Accessories line: TWO - HOOP - NOKÉ - FOLD

Technical accessories: **Chrome siphon (SIFL/CR) - Telescopic chrome siphon (SIFL066)**
Stop & Go drain (PLSG)
CERAMIC Stop & Go drain (PLCE)
Two piece set chrome tap filters (RF026)

Package dim. | Weight | Pz. Pallet n° -



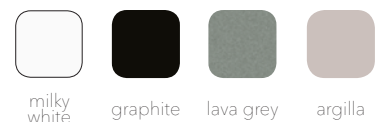
sizes in mm

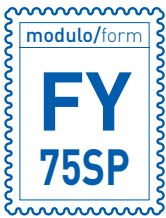
Please consider a 2% tolerance on indicated measurements

PIETRALUCE: glossy finish



matt finish





MODULO PER LA REALIZZAZIONE DELLE MENSOLE **FLYMAX** A MISURA PER ART. **MW75SP**

FLYMAX CUSTOMIZED SHELVES FOR ART. **MW75SP** FORM



E' obbligatorio fotocopiare questa pagina, compilarla con cura e allegarla all'ordine.
It is compulsory to photocopy this page, carefully fill in and attach to the order.

➔➔ **1**

DETTAGLI ORDINE / ORDER DETAILS

ordinante - buyer _____ cliente - client _____

ordine - order n: _____ data - date: _____ ref.: _____

annotazioni - notes _____

➔➔ **2**

SCELTA ARTICOLO / ITEM CHOICE

E' importante consultare prima la scheda tecnica relativa
It's important to consult before the technical detail

art. **FY75SP**
mensola / shelf da / from **100 a / to 250 cm**

➔➔ **3**

SCELTA MATERIALE / MATERIAL SELECTION

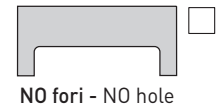
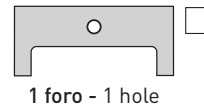
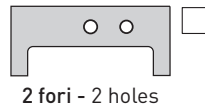
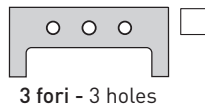
PIETRALUCE

- | | | | |
|---|--|--|---|
| <input type="checkbox"/> bianco - white | <input type="checkbox"/> nero - black | <input type="checkbox"/> blu ultram. - marine blue | <input type="checkbox"/> argilla - argilla |
| <input type="checkbox"/> grigio - grey | <input type="checkbox"/> sabbia - sand | <input type="checkbox"/> grafite - graphite | <input type="checkbox"/> latte - milky white |
| <input type="checkbox"/> beige - beige | <input type="checkbox"/> rosso cuoio - red | | <input type="checkbox"/> gr. lava - lava grey |

➔➔ **4**

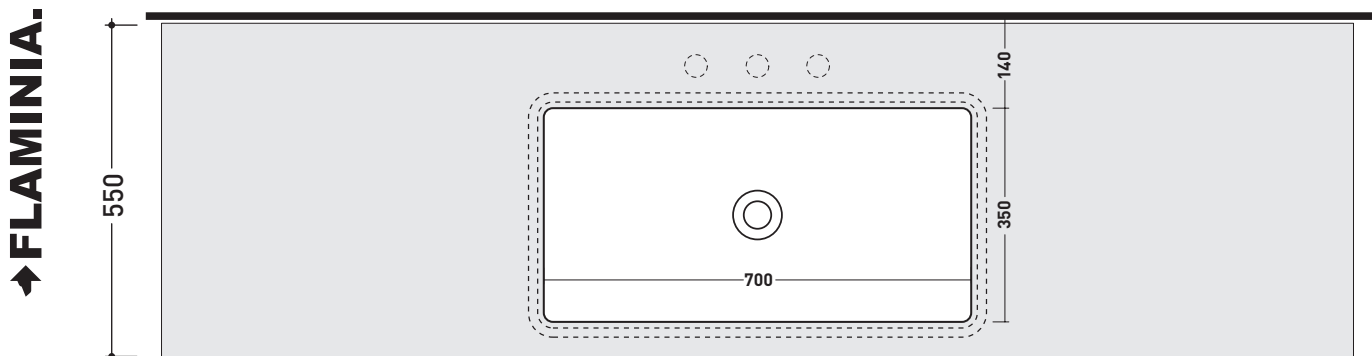
SCELTA DETTAGLI / DETAIL SELECTION

FORI RUBINETTERIA / TAP HOLES

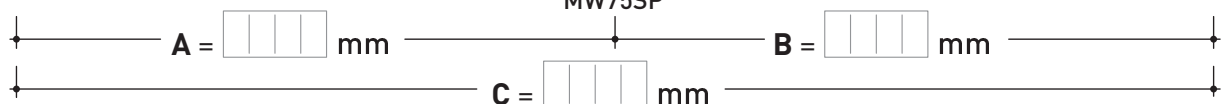


➔➔ **5**

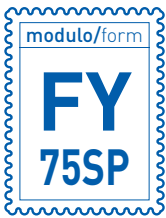
SCELTA MISURE / MEASURES



lavabo / basin
MW75SP



- A = misura interasse lavabo da sinistra / left distance of basin.
- B = misura interasse lavabo da destra / right distance of basin.
- C = misura totale della mensola / total length of the shelf.
- verificare sempre che / verify that: **A + B = C.**



MODULO PER LA REALIZZAZIONE DELLE MENSOLE **FLYMAX** A MISURA PER DOPPIO ART. **MW75SP**

FLYMAX CUSTOMIZED SHELVES FOR DOUBLE ART. **MW75SP** FORM



E' obbligatorio fotocopiare questa pagina, compilarla con cura e allegarla all'ordine.
It is compulsory to photocopy this page, carefully fill in and attach to the order.

➔➔ **1**

DETTAGLI ORDINE / ORDER DETAILS

ordinante - buyer _____ cliente - client _____

ordine - order n: _____ data - date: _____ ref.: _____

annotazioni - notes _____

➔➔ **2**

SCelta ARTICOLO / ITEM CHOICE

E' importante consultare prima la scheda tecnica relativa
It's important to consult before the technical detail

art. **FY75SP**
mensola / shelf da / from **190 a / to 250 cm**

➔➔ **3**

SCelta MATERIALE / MATERIAL SELECTION

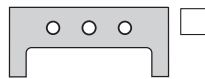
PIETRALUCE

- | | | | |
|---|--|--|---|
| <input type="checkbox"/> bianco - white | <input type="checkbox"/> nero - black | <input type="checkbox"/> blu ultram. - marine blue | <input type="checkbox"/> argilla - argilla |
| <input type="checkbox"/> grigio - grey | <input type="checkbox"/> sabbia - sand | <input type="checkbox"/> grafite - graphite | <input type="checkbox"/> latte - milky white |
| <input type="checkbox"/> beige - beige | <input type="checkbox"/> rosso cuoio - red | | <input type="checkbox"/> gr. lava - lava grey |

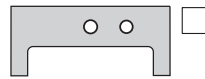
➔➔ **4**

SCelta DETTAGLI / DETAIL SELECTION

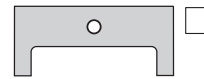
FORI RUBINETTERIA / TAP HOLES



3 fori - 3 holes



2 fori - 2 holes



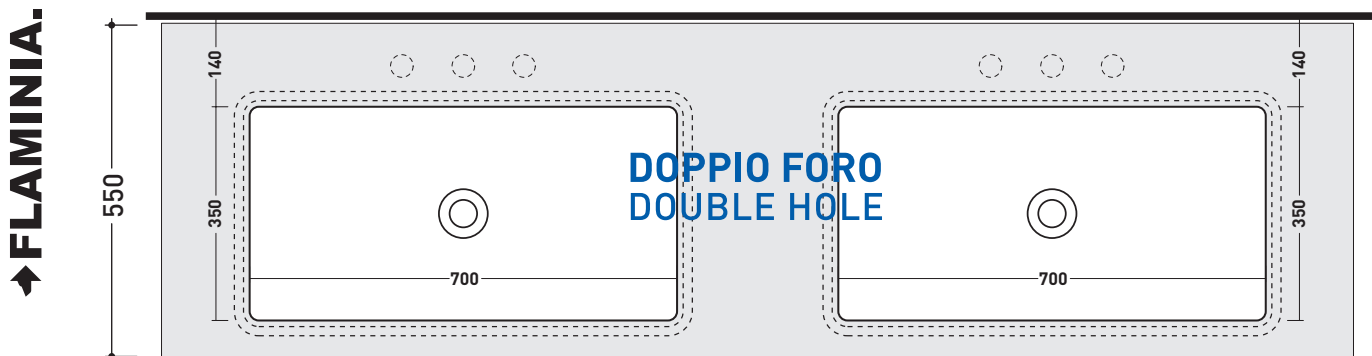
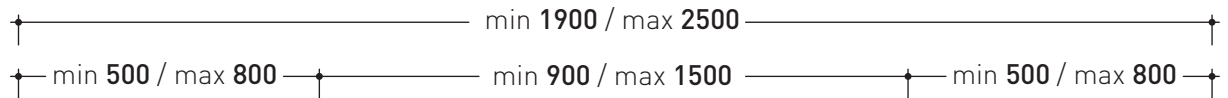
1 foro - 1 hole



NO fori - NO hole

➔➔ **5**

SCelta MISURE / MEASURES



lavabo / basin MW75SP lavabo / basin MW75SP

A = mm B = mm C = mm

D = mm

- A = misura interasse lavabo da sinistra / left distance of basin.
- B = misura interasse lavabi / distance between basins.
- C = misura interasse lavabo da destra / right distance of basin.
- D = misura totale della mensola / total length of the shelf.
- verificare sempre che / verify that: **A + B + C = D.**