

design **FLAMINIA DESIGN TEAM**

2010

## F65058 suitable for Acqualight (5058)

Shelf from 80 to 250 x 46 x h 10 cm suitable for Acqualight basin  
(fixing brackets included)

Complements: **Make-Up mirrors and lamps**

App mirros

Simple mirros

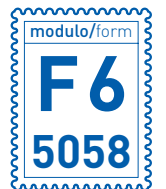
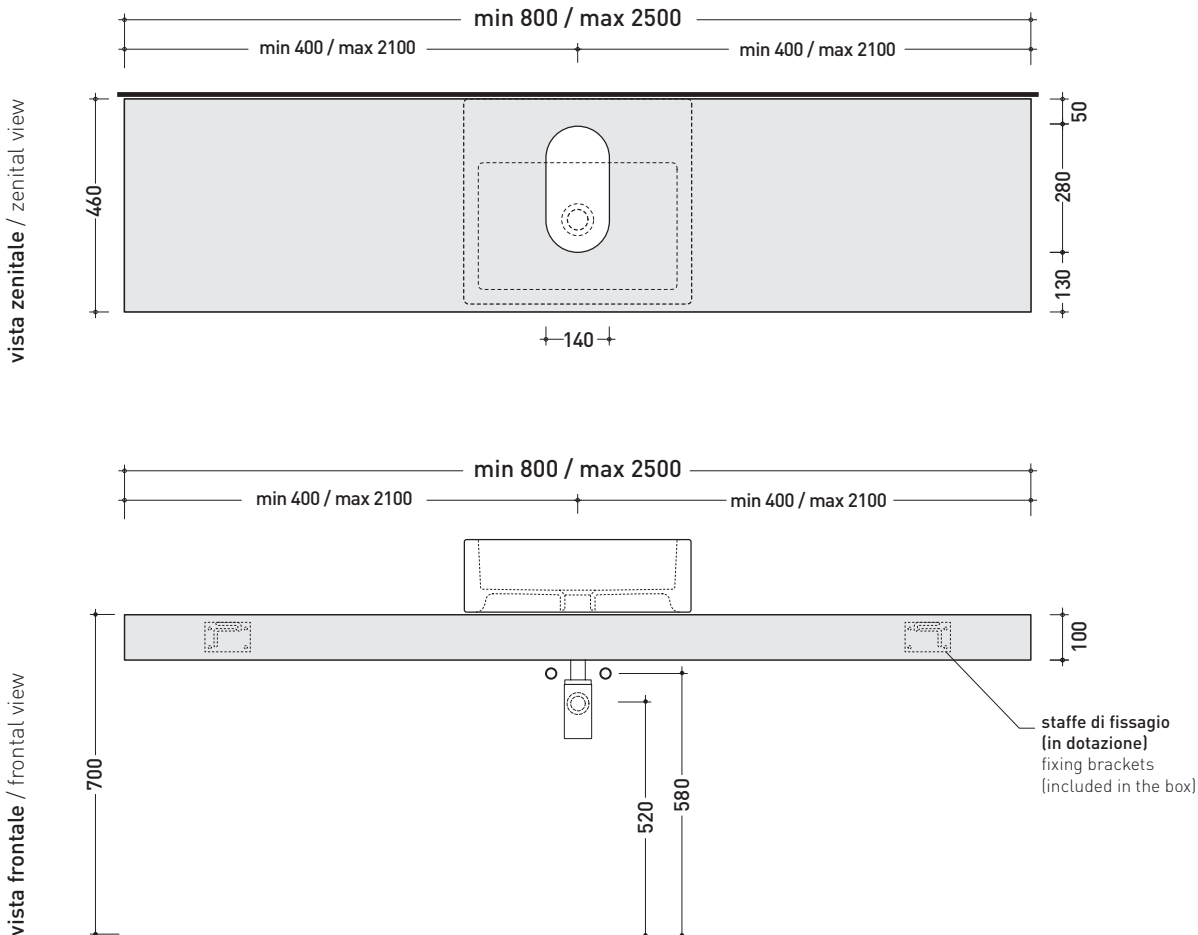
Hot/Cold mirror (SPHC)

Left/Right mirror (SPLR)

Line mirrors (BASC20 - BASC30 - BASC40)



Tap holes are not made on this article by Flaminia



REFERENCE TO  
THE COMPULSORY  
ORDER FORM

sizes in mm

PIETRALUCE: glossy finish



white black marine blue red beige sand grey

matt finish



milky white graphite lava grey argilla

<http://www.ceramicaflaminia.it/en/products/291-forty6>

©ceramicaflaminiaspa - All rights reserved. Unauthorized copying, publication, reproduction as well as partial reproduction are prohibited

april 2019





MODULO PER LA REALIZZAZIONE DELLE MENSOLE **FORTY6** A MISURA PER ART. **5058**  
**FORTY6** CUSTOMIZED SHELVES FOR ART. **5058** FORM



**E' obbligatorio fotocopiare questa pagina, compilarla con cura e allegarla all'ordine.**  
 It is compulsory to photocopy this page, carefully fill in and attach to the order.

## ➔➔ 1 DETTAGLI ORDINE / ORDER DETAILS

ordinante - buyer	cliente - client
ordine - order n:	data - date:                     ref.:
annotazioni - notes	

## ➔➔ 2 SCELTA ARTICOLO / ITEM CHOICE

E' importante consultare prima la scheda tecnica relativa  
 It's important to consult before the technical detail

art. **F65058**  
 mensola / shelf da / from 80 a / to 250 cm

## ➔➔ 3 SCELTA MATERIALE / MATERIAL SELECTION

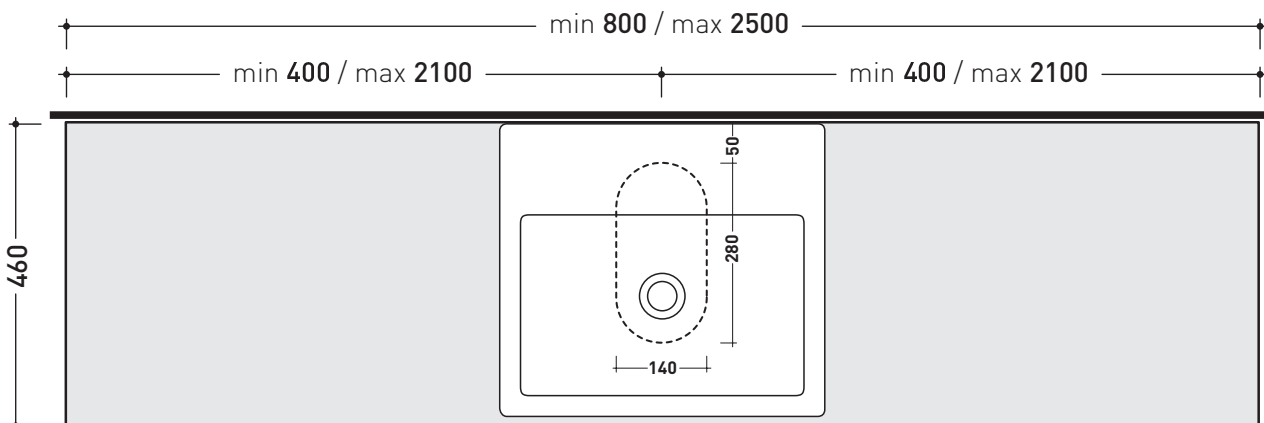
**PIETRALUCE** lucida / glossy

- |  |  |
|--|--|
| <input type="checkbox"/> bianco - white            | <input type="checkbox"/> sabbia - sand     |
| <input type="checkbox"/> grigio - grey             | <input type="checkbox"/> nero - black      |
| <input type="checkbox"/> beige - beige             | <input type="checkbox"/> rosso cuoio - red |
| <input type="checkbox"/> blu ultram. - marine blue |  |

**PIETRALUCE** opaco / mat

- |  |   |
|--|---|
| <input type="checkbox"/> argilla - argilla   | <input type="checkbox"/> gr. lava - lava grey |
| <input type="checkbox"/> latte - milky white | <input type="checkbox"/> grafite - graphite   |

## ➔➔ 4 SCELTA MISURE / MEASURES



lavabo / basin  
5058

A = <input type="text"/> mm	B = <input type="text"/> mm
C = <input type="text"/> mm	

• **A** = misura interasse lavabo da sinistra / left distance of basin. • **C** = misura totale della mensola / total length of the shelf.  
 • **B** = misura interasse lavabo da destra / right distance of basin. • verificare sempre che / verify that: **A + B = C**.



MODULO PER LA REALIZZAZIONE DELLE MENSOLE **FORTY6** A MISURA PER DOPPIO ART. **5058**

**FORTY6** CUSTOMIZED SHELVES FOR DOUBLE ART. **5058** FORM



**E' obbligatorio fotocopiare questa pagina, compilarla con cura e allegarla all'ordine.**  
It is compulsory to photocopy this page, carefully fill in and attach to the order.

➔➔ **1**

**DETTAGLI ORDINE / ORDER DETAILS**

ordinante - buyer		cliente - client	
ordine - order n:	data - date:	ref.:	
annotazioni - notes			

➔➔ **2**

**SCELTA ARTICOLO / ITEM CHOICE**

E' importante consultare prima la scheda tecnica relativa  
It's important to consult before the technical detail

art. **F65058**  
mensola / shelf da / from **150 a / to 250 cm**

➔➔ **3**

**SCELTA MATERIALE / MATERIAL SELECTION**

**PIETRALUCE** lucida / glossy

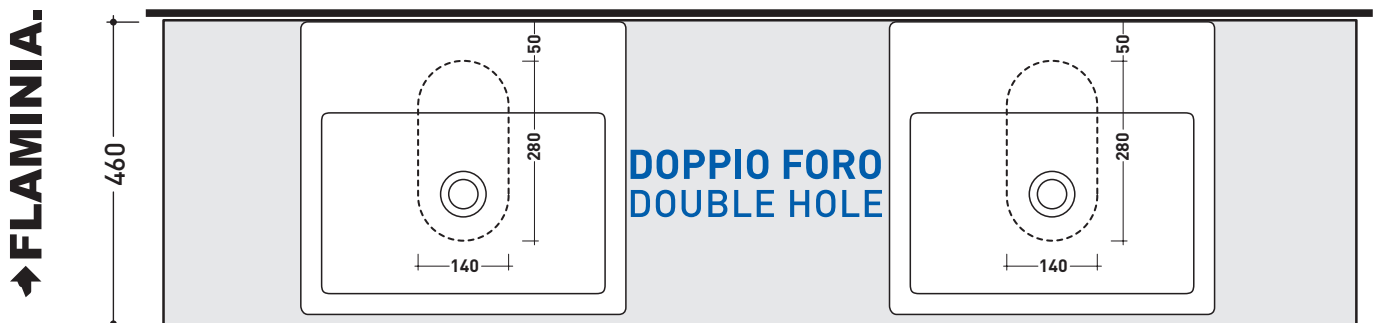
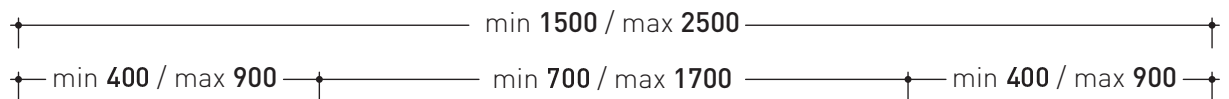
- |  |  |
|--|--|
| <input type="checkbox"/> bianco - white            | <input type="checkbox"/> sabbia - sand     |
| <input type="checkbox"/> grigio - grey             | <input type="checkbox"/> nero - black      |
| <input type="checkbox"/> beige - beige             | <input type="checkbox"/> rosso cuoio - red |
| <input type="checkbox"/> blu ultram. - marine blue |  |

**PIETRALUCE** opaco / mat

- |  |   |
|--|---|
| <input type="checkbox"/> argilla - argilla   | <input type="checkbox"/> gr. lava - lava grey |
| <input type="checkbox"/> latte - milky white | <input type="checkbox"/> grafite - graphite   |

➔➔ **4**

**SCELTA MISURE / MEASURES**



lavabo / basin  
5058

lavabo / basin  
5058



- **A** = misura interasse lavabo da sinistra / left distance of basin.
- **B** = misura interasse lavabi / distance between basins.
- **C** = misura interasse lavabo da destra / right distance of basin.

- **D** = misura totale della mensola / total length of the shelf.
- verificare sempre che / verify that: **A + B + C = D.**

## F65054 suitable for Twin Set 52 (5054)

Shelf from 80 to 250 x 40 x h 20 cm

suitable for Twin Set 52 semi-inset basin (fixing brackets included)

Complements: **Make-Up mirrors and lamps**

App mirros

Simple mirros

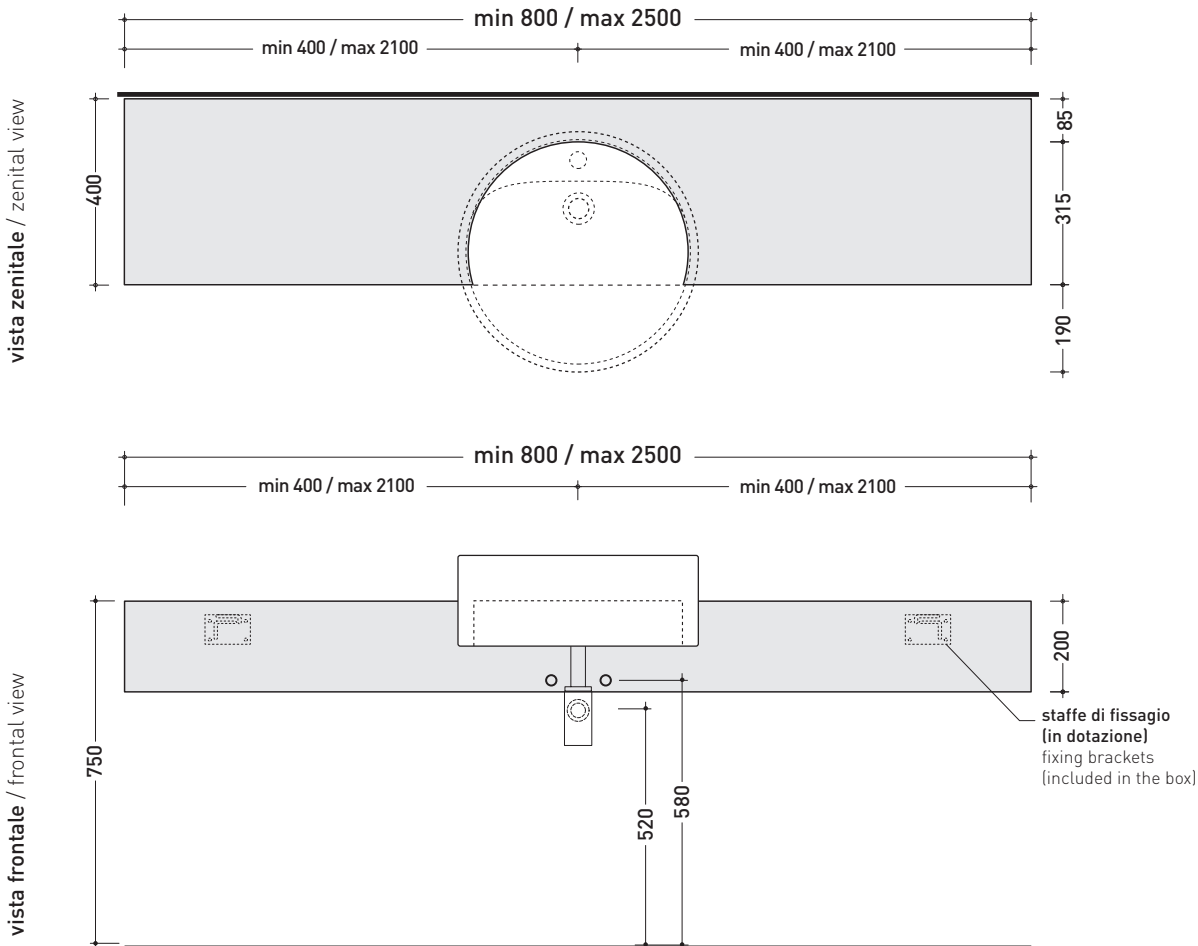
Hot/Cold mirror (SPHC)

Left/Right mirror (SPLR)

Line mirrors (BASC20 - BASC30 - BASC40)



Tap holes are not made on this article by Flaminia



REFERENCE TO THE COMPULSORY ORDER FORM

sizes in mm

**PIETRALUCE:** glossy finish



white black marine blue red beige sand grey

**matt finish**



milky white graphite lava grey argilla



MODULO PER LA REALIZZAZIONE DELLE MENSOLE **FORTY6** A MISURA PER ART. **5054**

**FORTY6** CUSTOMIZED SHELVES FOR ART. **5054** FORM



**E' obbligatorio fotocopiare questa pagina, compilarla con cura e allegarla all'ordine.**  
It is compulsory to photocopy this page, carefully fill in and attach to the order.

➔➔ **1** DETTAGLI ORDINE / ORDER DETAILS

ordinante - buyer		cliente - client	
ordine - order n:	data - date:	ref.:	
annotazioni - notes			

➔➔ **2** SCELTA ARTICOLO / ITEM CHOICE

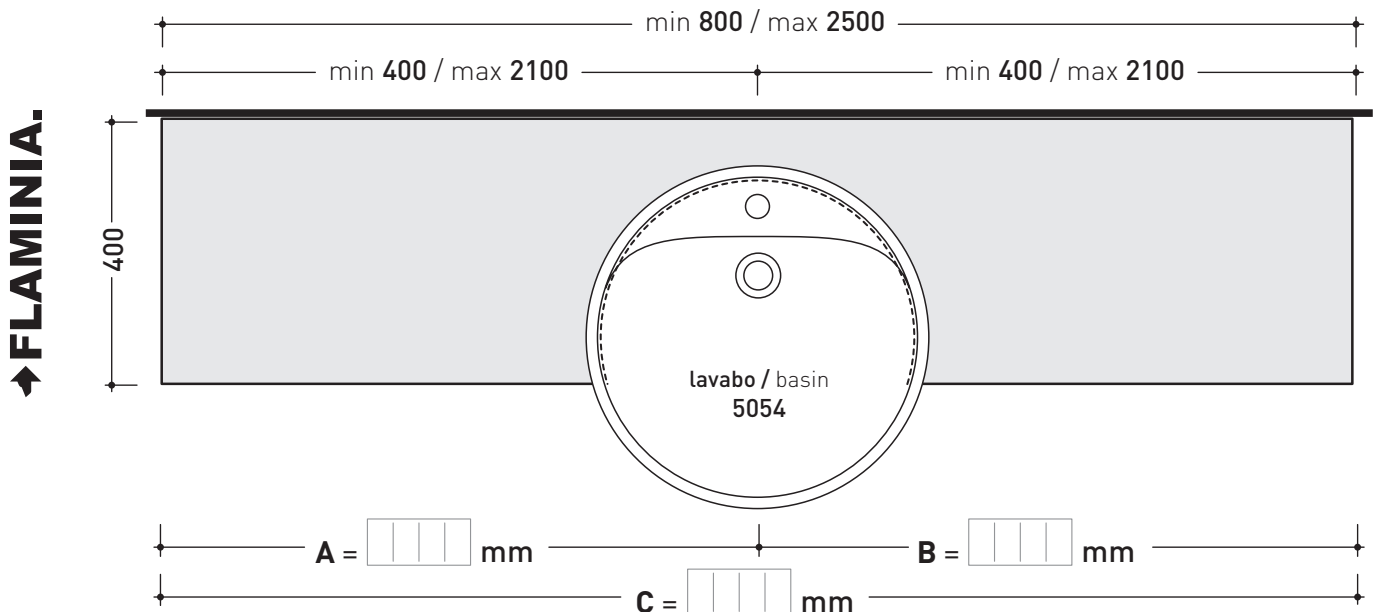
E' importante consultare prima la scheda tecnica relativa  
It's important to consult before the technical detail

art. **F65054**  
mensola / shelf da / from **80 a / to 250 cm**

➔➔ **3** SCELTA MATERIALE / MATERIAL SELECTION

<b>PIETRALUCE</b> lucida / glossy		<b>PIETRALUCE</b> opaco / mat	
<input type="checkbox"/> bianco - white	<input type="checkbox"/> sabbia - sand	<input type="checkbox"/> argilla - argilla	<input type="checkbox"/> gr. lava - lava grey
<input type="checkbox"/> grigio - grey	<input type="checkbox"/> nero - black	<input type="checkbox"/> latte - milky white	<input type="checkbox"/> grafite - graphite
<input type="checkbox"/> beige - beige	<input type="checkbox"/> rosso cuoio - red		
<input type="checkbox"/> blu ultram. - marine blue			

➔➔ **4** SCELTA MISURE / MEASURES




• **A** = misura interasse lavabo da sinistra / left distance of basin. • **C** = misura totale della mensola / total length of the shelf.  
• **B** = misura interasse lavabo da destra / right distance of basin. • verificare sempre che / verify that: **A + B = C**.



MODULO PER LA REALIZZAZIONE DELLE MENSOLE **FORTY6** A MISURA PER DOPPIO ART. **5054**

**FORTY6** CUSTOMIZED SHELVES FOR DOUBLE ART. **5054** FORM

 **E' obbligatorio fotocopiare questa pagina, compilarla con cura e allegarla all'ordine.**  
It is compulsory to photocopy this page, carefully fill in and attach to the order.

➔➔ **1** DETTAGLI ORDINE / ORDER DETAILS

ordinante - buyer		cliente - client	
ordine - order n:	data - date:	ref.:	
annotazioni - notes			

➔➔ **2** SCELTA ARTICOLO / ITEM CHOICE

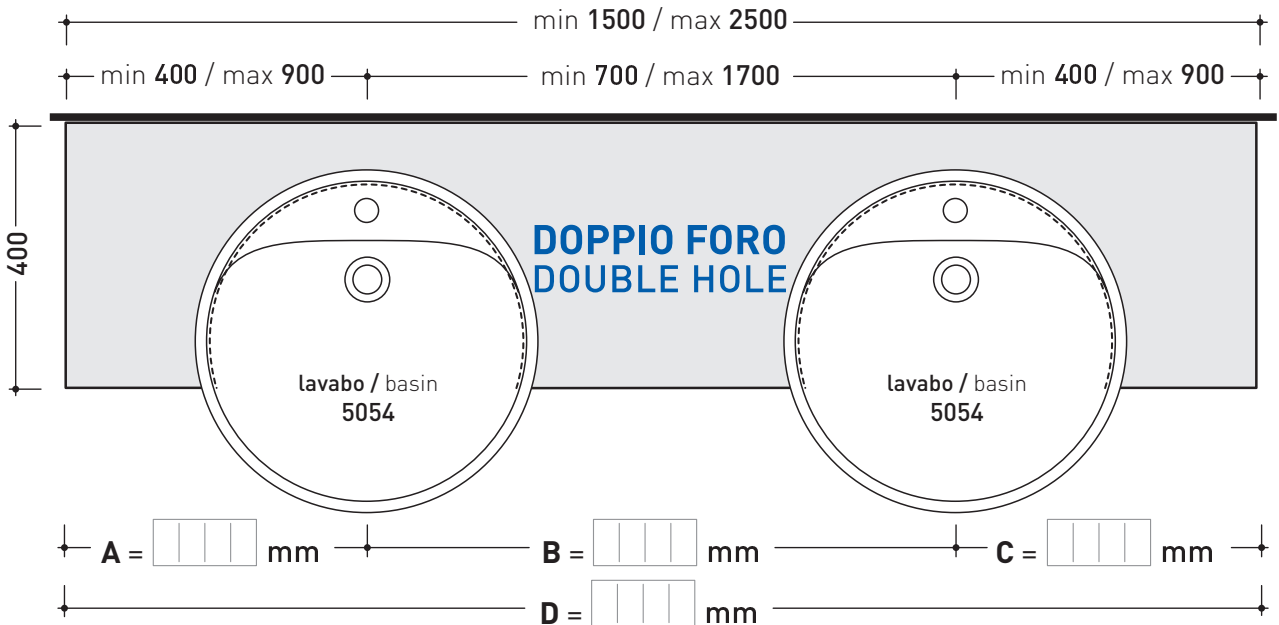
E' importante consultare prima la scheda tecnica relativa  
It's important to consult before the technical detail

art. **F65054**  
mensola / shelf da / from **150 a / to 250 cm**

➔➔ **3** SCELTA MATERIALE / MATERIAL SELECTION

PIETRALUCE lucida / glossy		PIETRALUCE opaco / mat	
<input type="checkbox"/> bianco - white	<input type="checkbox"/> sabbia - sand	<input type="checkbox"/> argilla - argilla	<input type="checkbox"/> gr. lava - lava grey
<input type="checkbox"/> grigio - grey	<input type="checkbox"/> nero - black	<input type="checkbox"/> latte - milky white	<input type="checkbox"/> grafite - graphite
<input type="checkbox"/> beige - beige	<input type="checkbox"/> rosso cuoio - red		
<input type="checkbox"/> blu ultram. - marine blue			

➔➔ **4** SCELTA MISURE / MEASURES



- A = misura interasse lavabo da sinistra / left distance of basin.
- B = misura interasse lavabi / distance between basins.
- C = misura interasse lavabo da destra / right distance of basin.

- D = misura totale della mensola / total length of the shelf.
- verificare sempre che / verify that: **A + B + C = D.**

design **FLAMINIA DESIGN TEAM**

2010

## F65054/42 suitable for Twin Set 42 (5054/42)

Shelf from 80 to 250 x 40 x h 20 cm

suitable for Twin Set 42 semi-inset basin (fixing brackets included)

Complements: **Make-Up mirrors and lamps**

App mirros

Simple mirros

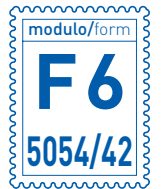
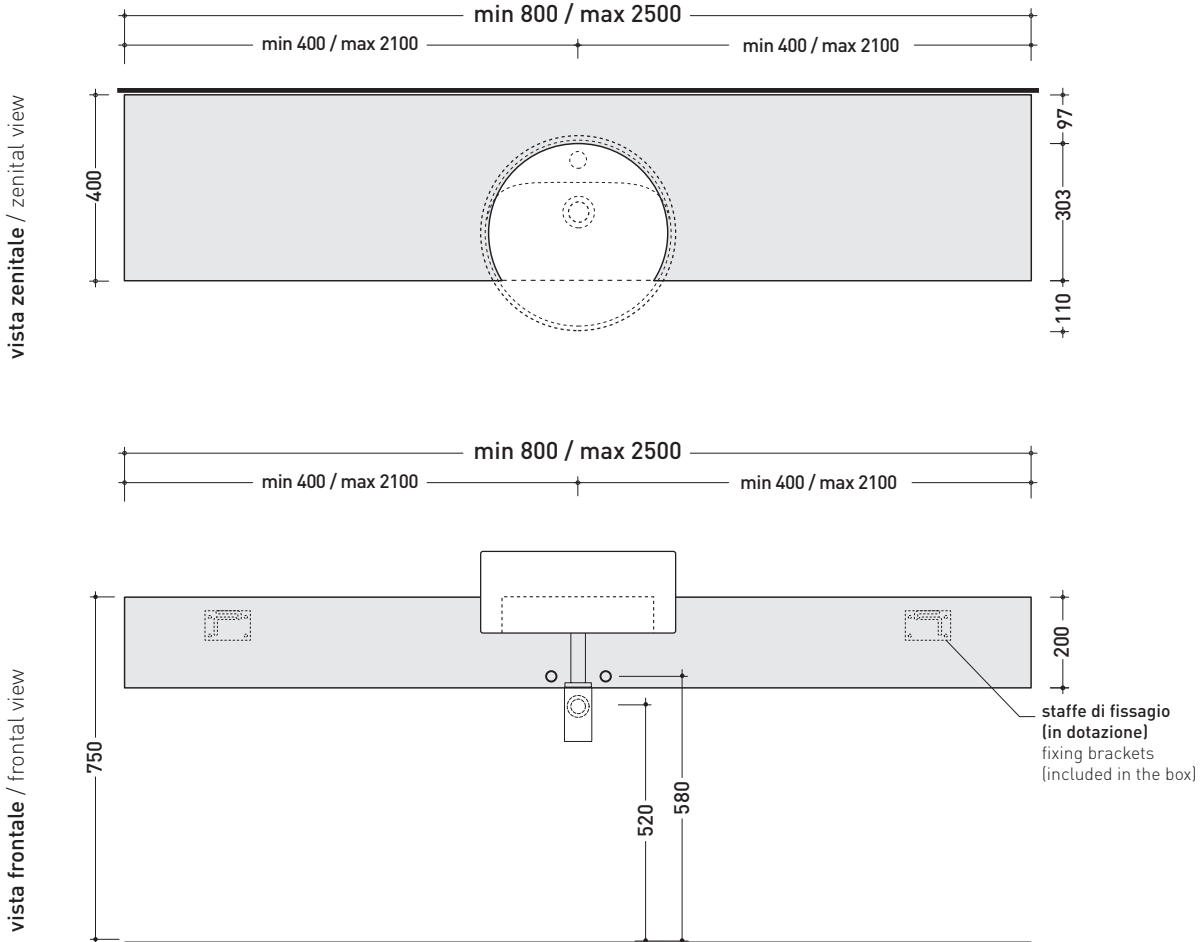
Hot/Cold mirror (SPHC)

Left/Right mirror (SPLR)

Line mirrors (BASC20 - BASC30 - BASC40)



Tap holes are not made on this article by Flaminia



REFERENCE TO THE COMPULSORY ORDER FORM

sizes in mm

**PIETRALUCE:** glossy finish

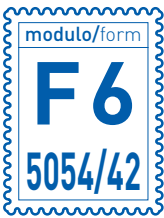


white black marine blue red beige sand grey

**matt finish**



milky white graphite lava grey argilla



MODULO PER LA REALIZZAZIONE DELLE MENSOLE **FORTY6** A MISURA PER ART. **5054/42**

**FORTY6** CUSTOMIZED SHELVES FOR ART. **5054/42** FORM



**E' obbligatorio fotocopiare questa pagina, compilarla con cura e allegarla all'ordine.**  
It is compulsory to photocopy this page, carefully fill in and attach to the order.

➔➔ **1**

**DETTAGLI ORDINE / ORDER DETAILS**

ordinante - buyer		cliente - client	
ordine - order n:	data - date:	ref.:	
annotazioni - notes			

➔➔ **2**

**SCELTA ARTICOLO / ITEM CHOICE**

E' importante consultare prima la scheda tecnica relativa  
It's important to consult before the technical detail

art. **F65054/42**  
mensola / shelf da / from 80 a / to 250 cm

➔➔ **3**

**SCELTA MATERIALE / MATERIAL SELECTION**

**PIETRALUCE** lucida / glossy

- bianco - white
- grigio - grey
- beige - beige
- blu ultram. - marine blue

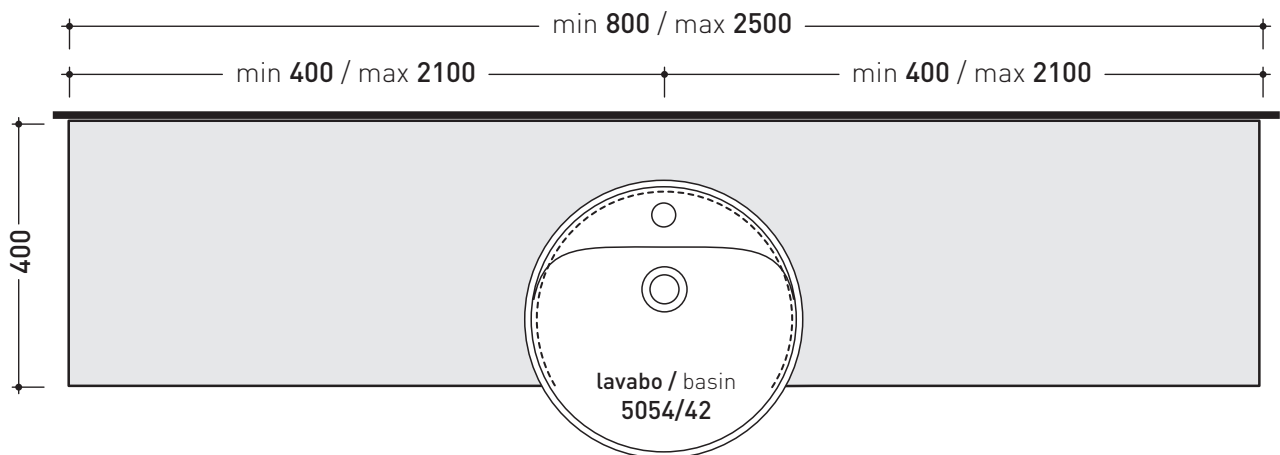
- sabbia - sand
- nero - black
- rosso cuoio - red

**PIETRALUCE** opaco / mat

- argilla - argilla
- latte - milky white
- gr. lava - lava grey
- grafite - graphite

➔➔ **4**

**SCELTA MISURE / MEASURES**



A =  mm      B =  mm

C =  mm

• **A** = misura interasse lavabo da sinistra / left distance of basin.      • **C** = misura totale della mensola / total length of the shelf.  
• **B** = misura interasse lavabo da destra / right distance of basin.      • verificare sempre che / verify that: **A + B = C**.





MODULO PER LA REALIZZAZIONE DELLE MENSOLE **FORTY6** A MISURA PER DOPPIO ART. **5054/42**

**FORTY6** CUSTOMIZED SHELVES FOR DOUBLE ART. **5054/42** FORM



**E' obbligatorio fotocopiare questa pagina, compilarla con cura e allegarla all'ordine.**  
It is compulsory to photocopy this page, carefully fill in and attach to the order.

➔➔ **1**

**DETTAGLI ORDINE / ORDER DETAILS**

ordinante - buyer		cliente - client	
ordine - order n:	data - date:	ref.:	
annotazioni - notes			

➔➔ **2**

**SCELTA ARTICOLO / ITEM CHOICE**

E' importante consultare prima la scheda tecnica relativa  
It's important to consult before the technical detail

art. **F65054/42**  
mensola / shelf da / from 145 a / to 250 cm

➔➔ **3**

**SCELTA MATERIALE / MATERIAL SELECTION**

**PIETRALUCE** lucida / glossy

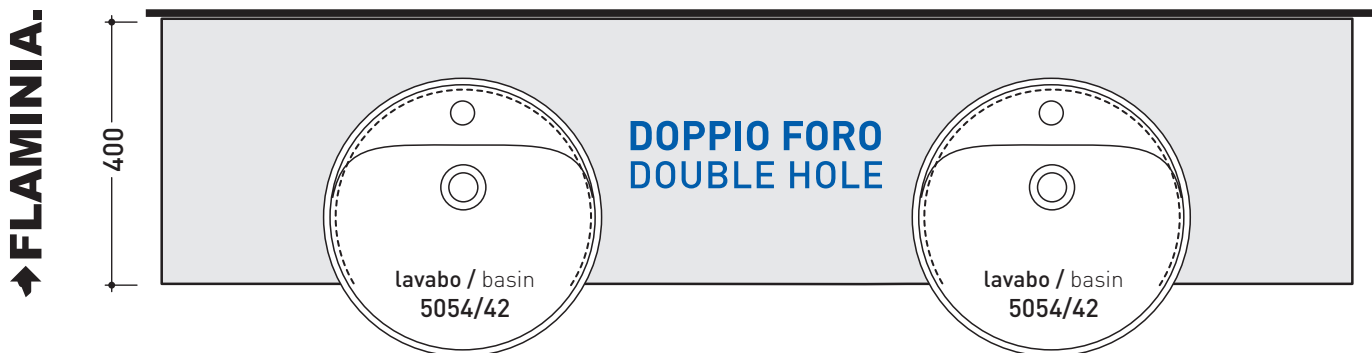
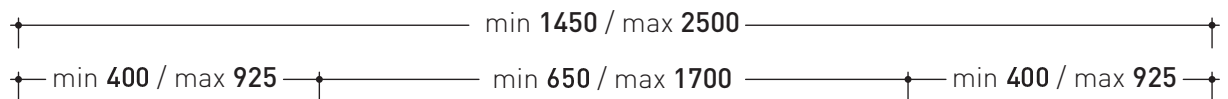
- |  |  |
|--|--|
| <input type="checkbox"/> bianco - white            | <input type="checkbox"/> sabbia - sand     |
| <input type="checkbox"/> grigio - grey             | <input type="checkbox"/> nero - black      |
| <input type="checkbox"/> beige - beige             | <input type="checkbox"/> rosso cuoio - red |
| <input type="checkbox"/> blu ultram. - marine blue |  |

**PIETRALUCE** opaco / mat

- |  |   |
|--|---|
| <input type="checkbox"/> argilla - argilla   | <input type="checkbox"/> gr. lava - lava grey |
| <input type="checkbox"/> latte - milky white | <input type="checkbox"/> grafite - graphite   |

➔➔ **4**

**SCELTA MISURE / MEASURES**



- **A** = misura interasse lavabo da sinistra / left distance of basin.
- **B** = misura interasse lavabi / distance between basins.
- **C** = misura interasse lavabo da destra / right distance of basin.

- **D** = misura totale della mensola / total length of the shelf.
- verificare sempre che / verify that: **A + B + C = D.**

design **FLAMINIA DESIGN TEAM**

2010

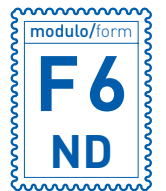
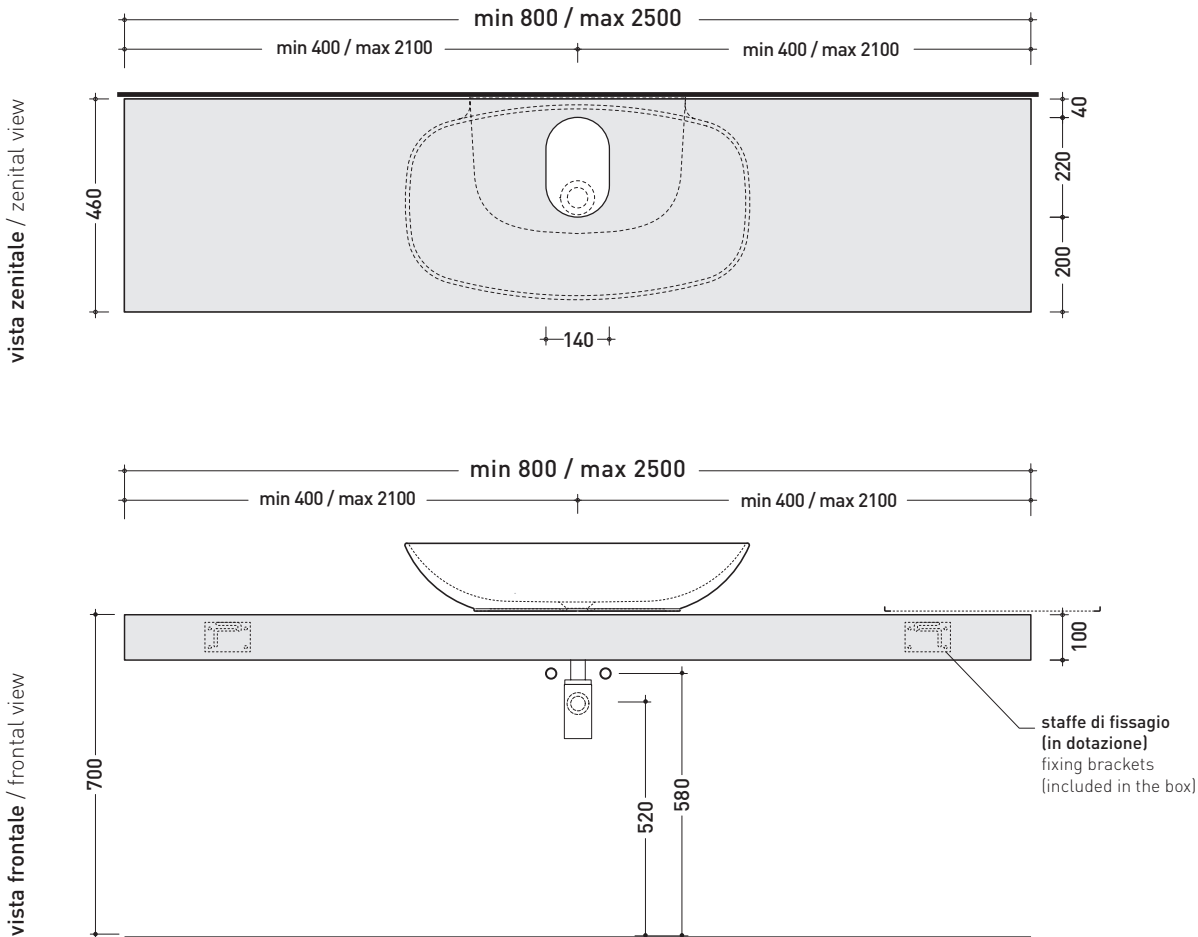
## F6ND suitable for NudaSlim 60/75 (ND60A - ND75A) Pass 39 (PS39LM) - Monò 54 (MN54L)

Shelf from 80 to 250 x 46 x h 10 cm suitable for NudaSlim 60/75,  
Pass 39 e Monò 54 basins (fixing brackets included)

Complements: **Make-Up mirrors and lamps**  
App mirros  
Simple mirros  
Hot/Cold mirror (SPHC)  
Left/Right mirror (SPLR)  
Line mirrors (BASC20 - BASC30 - BASC40)



Tap holes are not made on this article by Flaminia



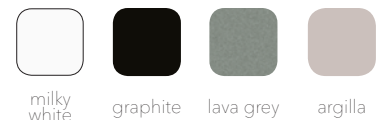
REFERENCE TO  
THE COMPULSORY  
ORDER FORM

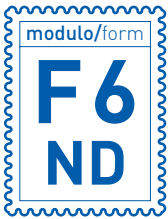
sizes in mm

PIETRALUCE: glossy finish



matt finish





MODULO PER LA REALIZZAZIONE DELLE MENSOLE **FORTY6** A MISURA  
 PER ART. ND75L - ND75PR - ND60L - ND60PR - PS39LM - MN54L  
 FORTY6 CUSTOMIZED SHELVES FOR ART. ND75L - ND75PR - ND60L - ND60PR - PS39LM - MN54L FORM



**E' obbligatorio fotocopiare questa pagina, compilarla con cura e allegarla all'ordine.**  
 It is compulsory to photocopy this page, carefully fill in and attach to the order.

➔➔ **1**

**DETTAGLI ORDINE / ORDER DETAILS**

ordinante - buyer		cliente - client	
ordine - order n:	data - date:	ref.:	
annotazioni - notes			

➔➔ **2**

**SCELTA ARTICOLO / ITEM CHOICE**

art. **F6ND**  
 mensola / shelf da / from **80 a / to 250 cm**

E' importante consultare prima la scheda tecnica relativa  
 It's important to consult before the technical detail

➔➔ **3**

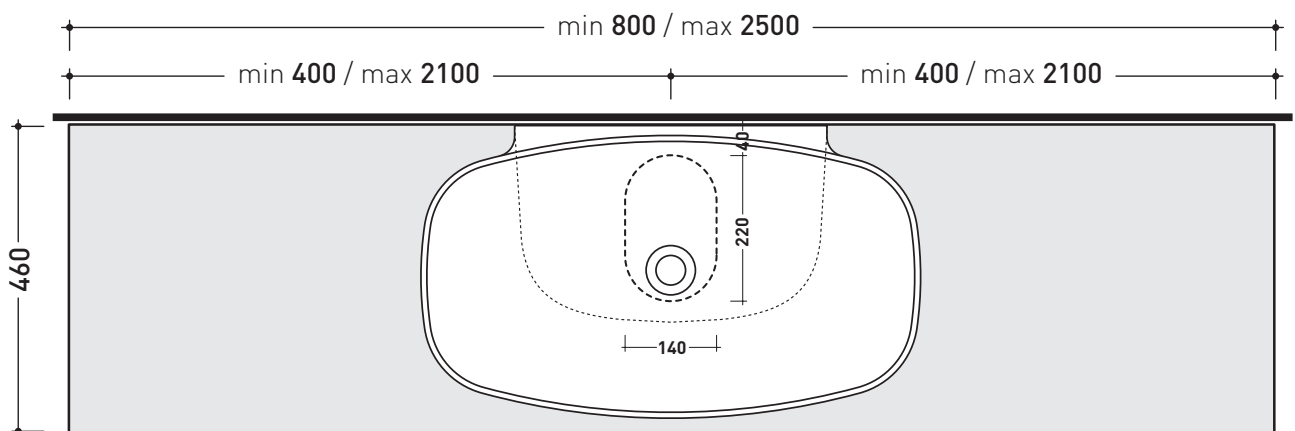
**SCELTA MATERIALE / MATERIAL SELECTION**

PIETRALUCE lucida / glossy		PIETRALUCE opaco / mat	
<input type="checkbox"/> bianco - white	<input type="checkbox"/> sabbia - sand	<input type="checkbox"/> argilla - argilla	<input type="checkbox"/> gr. lava - lava grey
<input type="checkbox"/> grigio - grey	<input type="checkbox"/> nero - black	<input type="checkbox"/> latte - milky white	<input type="checkbox"/> grafite - graphite
<input type="checkbox"/> beige - beige	<input type="checkbox"/> rosso cuoio - red		
<input type="checkbox"/> blu ultram. - marine blue			

➔➔ **4**

**SCELTA MISURE / MEASURES**

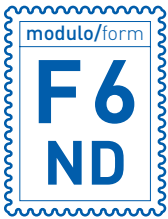
➔ **FLAMINIA.**



lavabi / basins  
 ND75L - ND75PR - ND60L - ND60PR - PS39LM - MN54L

A =  mm      B =  mm  
 C =  mm

• A = misura interasse lavabo da sinistra / left distance of basin.    • C = misura totale della mensola / total length of the shelf.  
 • B = misura interasse lavabo da destra / right distance of basin.    • verificare sempre che / verify that: **A + B = C.**



MODULO PER LA REALIZZAZIONE DELLE MENSOLE **FORTY6** A MISURA  
 PER ART. ND75L - ND75PR - ND60L - ND60PR - PS39LM - MN54L  
 FORTY6 CUSTOMIZED SHELVES FOR ART. ND75L - ND75PR - ND60L - ND60PR - PS39LM - MN54L FORM



**E' obbligatorio fotocopiare questa pagina, compilarla con cura e allegarla all'ordine.**  
 It is compulsory to photocopy this page, carefully fill in and attach to the order.

➔➔ **1**

**DETTAGLI ORDINE / ORDER DETAILS**

ordinante - buyer		cliente - client	
ordine - order n:	data - date:	ref.:	
annotazioni - notes			

➔➔ **2**

**SCELTA ARTICOLO / ITEM CHOICE**

E' importante consultare prima la scheda tecnica relativa  
 It's important to consult before the technical detail

art. **F6ND**  
 mensola / shelf da / from 210 a / to 250 cm

➔➔ **3**

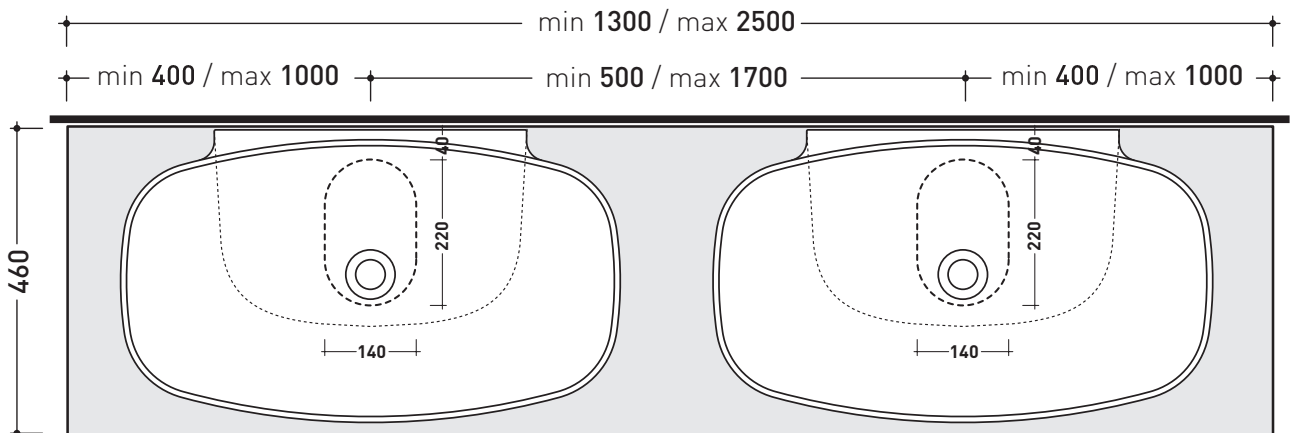
**SCELTA MATERIALE / MATERIAL SELECTION**

PIETRALUCE lucida / glossy		PIETRALUCE opaco / mat	
<input type="checkbox"/> bianco - white	<input type="checkbox"/> sabbia - sand	<input type="checkbox"/> argilla - argilla	<input type="checkbox"/> gr. lava - lava grey
<input type="checkbox"/> grigio - grey	<input type="checkbox"/> nero - black	<input type="checkbox"/> latte - milky white	<input type="checkbox"/> grafite - graphite
<input type="checkbox"/> beige - beige	<input type="checkbox"/> rosso cuoio - red		
<input type="checkbox"/> blu ultram. - marine blue			

➔➔ **4**

**SCELTA MISURE / MEASURES**

➔ **FLAMINIA.**



lavabi / basins ND75L - ND75PR - ND60L - ND60PR PS39LM - MN54L		lavabi / basins ND75L - ND75PR - ND60L - ND60PR PS39LM - MN54L	
A = <input type="text"/> mm	B = <input type="text"/> mm	C = <input type="text"/> mm	D = <input type="text"/> mm

- A = misura interasse lavabo da sinistra / left distance of basin.
- B = misura interasse lavabi / distance between basins.
- C = misura interasse lavabo da destra / right distance of basin.
- D = misura totale della mensola / total length of the shelf.
- verificare sempre che / verify that: **A + B + C = D.**

design **FLAMINIA DESIGN TEAM**

2010

## F68081 suitable for Nuda 85 (5080 - 5081)

Shelf from 110 to 250 x 46 x h 10 cm suitable for Nuda 85 basins  
(fixing brackets included)

Complements: **Make-Up mirrors and lamps**

App mirros

Simple mirros

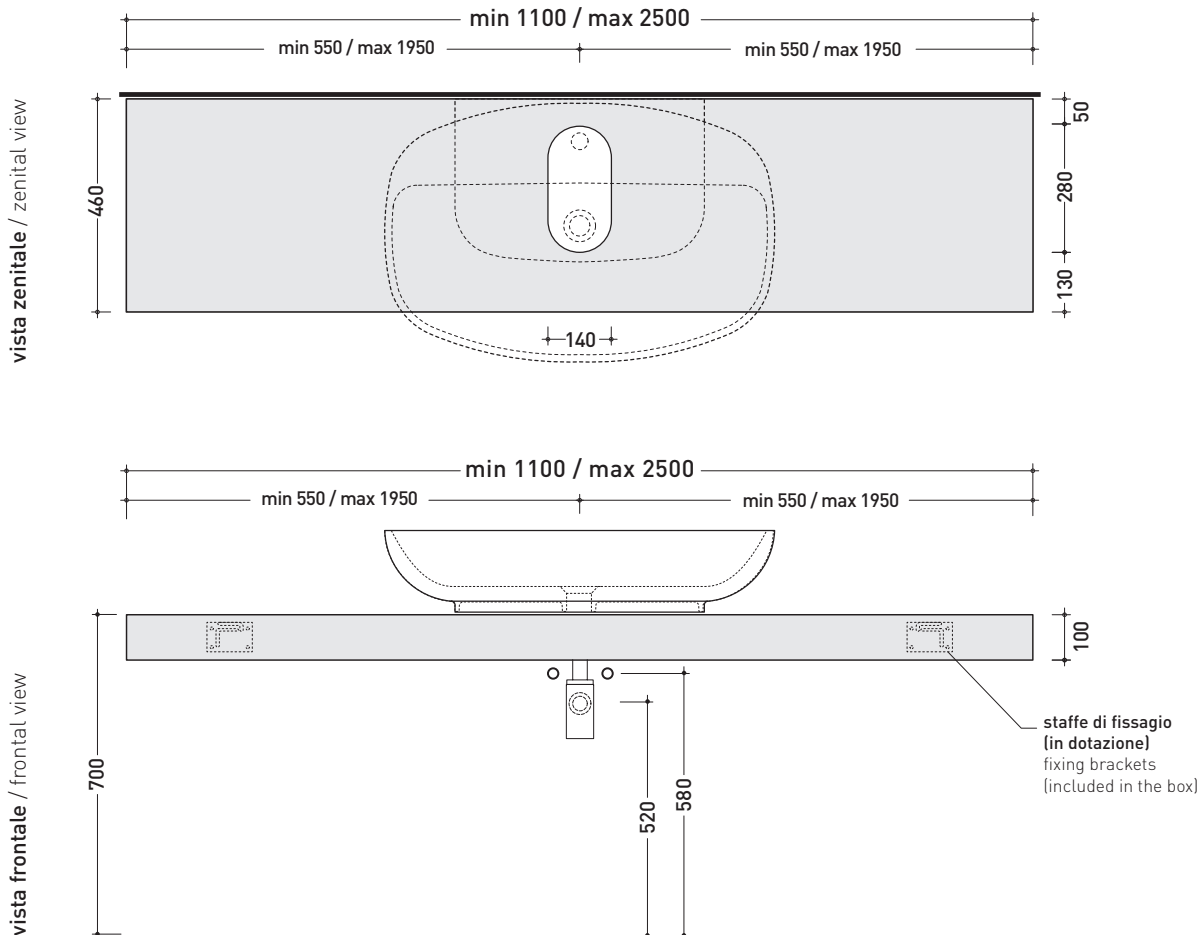
Hot/Cold mirror (SPHC)

Left/Right mirror (SPLR)

Line mirrors (BASC20 - BASC30 - BASC40)



Tap holes are not made on this article by Flaminia



REFERENCE TO  
THE COMPULSORY  
ORDER FORM

sizes in mm

**PIETRALUCE:** glossy finish



white black marine blue red beige sand grey

**matt finish**



milky white graphite lava grey argilla

<http://www.ceramicaflaminia.it/en/products/291-forty6>

©ceramicaflaminiaspa - All rights reserved. Unauthorized copying, publication, reproduction as well as partial reproduction are prohibited

april 2019





MODULO PER LA REALIZZAZIONE DELLE MENSOLE **FORTY6** A MISURA PER ART. **5080 / 5081**

**FORTY6** CUSTOMIZED SHELVES FOR ART. **5080 / 5081** FORM



**E' obbligatorio fotocopiare questa pagina, compilarla con cura e allegarla all'ordine.**  
It is compulsory to photocopy this page, carefully fill in and attach to the order.

➔➔ **1**

**DETTAGLI ORDINE / ORDER DETAILS**

ordinante - buyer		cliente - client	
ordine - order n:	data - date:	ref.:	
annotazioni - notes			

➔➔ **2**

**SCELTA ARTICOLO / ITEM CHOICE**

E' importante consultare prima la scheda tecnica relativa  
It's important to consult before the technical detail

**art. F68081**  
mensola / shelf da / from 110 a / to 250 cm

➔➔ **3**

**SCELTA MATERIALE / MATERIAL SELECTION**

**PIETRALUCE** lucida / glossy

- bianco - white
- grigio - grey
- beige - beige
- blu ultram. - marine blue

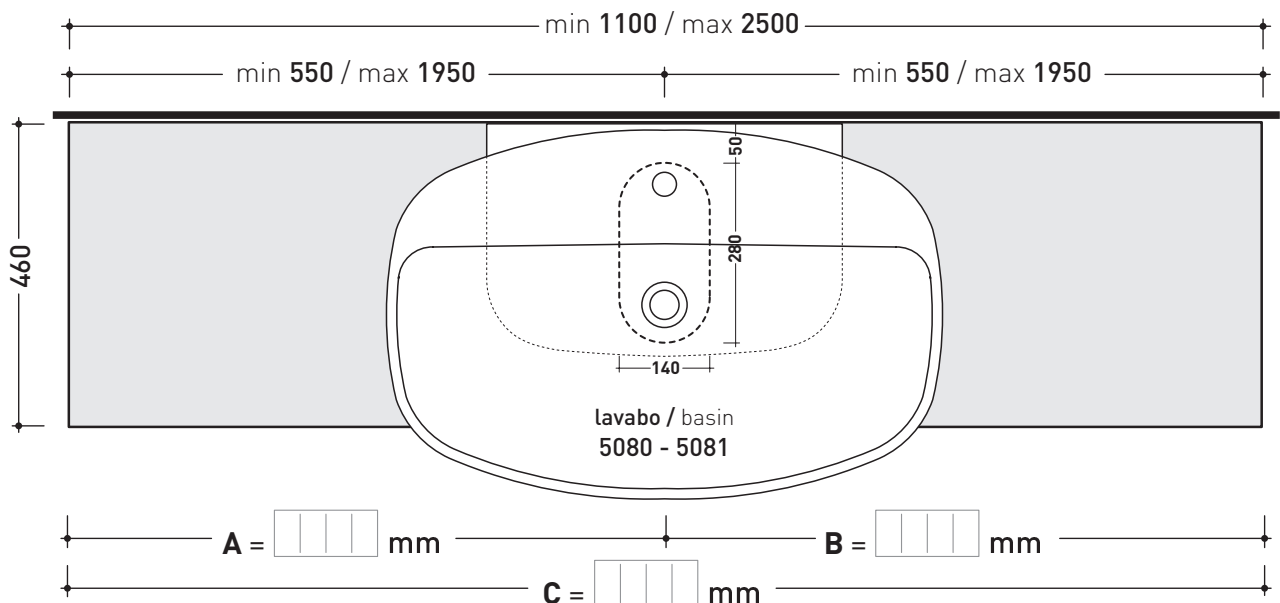
- sabbia - sand
- nero - black
- rosso cuoio - red

**PIETRALUCE** opaco / mat

- argilla - argilla
- latte - milky white
- gr. lava - lava grey
- grafite - graphite

➔➔ **4**

**SCELTA MISURE / MEASURES**



➔ **FLAMINIA.**

• **A** = misura interasse lavabo da sinistra / left distance of basin. • **C** = misura totale della mensola / total length of the shelf.  
• **B** = misura interasse lavabo da destra / right distance of basin. • verificare sempre che / verify that: **A + B = C**.



MODULO PER LA REALIZZAZIONE DELLE MENSOLE **FORTY6** A MISURA PER DOPPIO ART. **5080 / 5081**

**FORTY6** CUSTOMIZED SHELVES FOR DOUBLE ART. **5080 / 5081** FORM



**E' obbligatorio fotocopiare questa pagina, compilarla con cura e allegarla all'ordine.**  
It is compulsory to photocopy this page, carefully fill in and attach to the order.

➔➔ **1**

**DETTAGLI ORDINE / ORDER DETAILS**

ordinante - buyer		cliente - client	
ordine - order n:	data - date:	ref.:	
annotazioni - notes			

➔➔ **2**

**SCELTA ARTICOLO / ITEM CHOICE**

E' importante consultare prima la scheda tecnica relativa  
It's important to consult before the technical detail

art. **F68081**  
mensola / shelf da / from 210 a / to 250 cm

➔➔ **3**

**SCELTA MATERIALE / MATERIAL SELECTION**

**PIETRALUCE** lucida / glossy

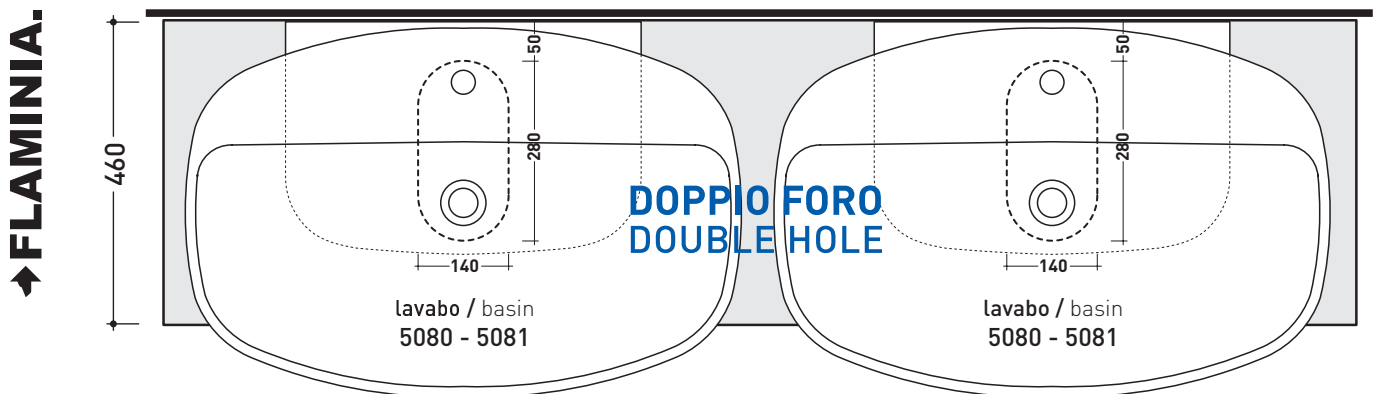
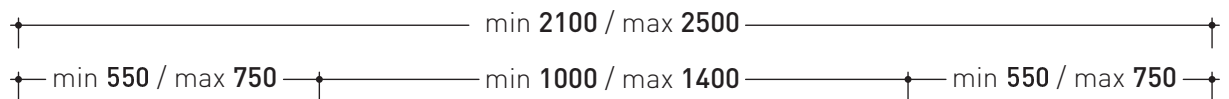
- |  |  |
|--|--|
| <input type="checkbox"/> bianco - white            | <input type="checkbox"/> sabbia - sand     |
| <input type="checkbox"/> grigio - grey             | <input type="checkbox"/> nero - black      |
| <input type="checkbox"/> beige - beige             | <input type="checkbox"/> rosso cuoio - red |
| <input type="checkbox"/> blu ultram. - marine blue |  |

**PIETRALUCE** opaco / mat

- |  |   |
|--|---|
| <input type="checkbox"/> argilla - argilla   | <input type="checkbox"/> gr. lava - lava grey |
| <input type="checkbox"/> latte - milky white | <input type="checkbox"/> grafite - graphite   |

➔➔ **4**

**SCELTA MISURE / MEASURES**



- A = misura interasse lavabo da sinistra / left distance of basin.
- B = misura interasse lavabi / distance between basins.
- C = misura interasse lavabo da destra / right distance of basin.
- D = misura totale della mensola / total length of the shelf.
- verificare sempre che / verify that: **A + B + C = D.**

design **FLAMINIA DESIGN TEAM**

2010

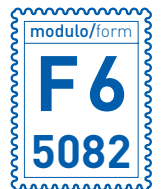
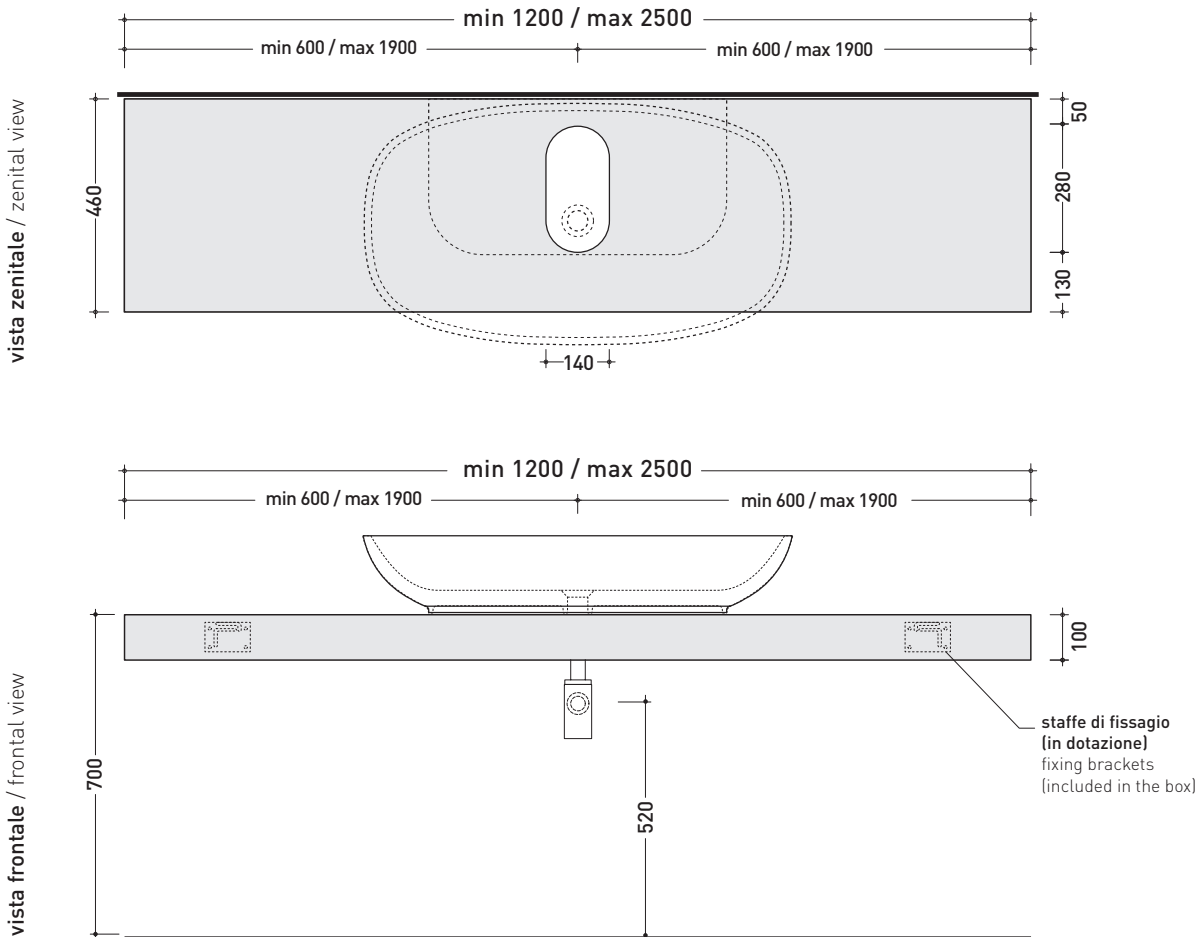
## F65082 suitable for Nuda 95 (5082)

Shelf from 120 to 250 x 46 x h 10 cm suitable for Nuda 95 basin  
(fixing brackets included)

- Complements:
- Make-Up mirrors and lamps
  - App mirros
  - Simple mirros
  - Hot/Cold mirror (SPHC)
  - Left/Right mirror (SPLR)
  - Line mirrors (BASC20 - BASC30 - BASC40)



Tap holes are not made on this article by Flaminia



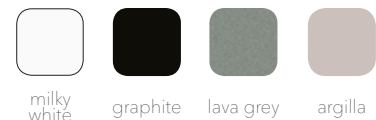
REFERENCE TO  
THE COMPULSORY  
ORDER FORM

sizes in mm

PIETRALUCE: glossy finish



matt finish



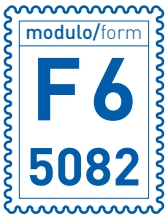
<http://www.ceramicaflaminia.it/en/products/291-forty6>

©ceramicaflaminiaspa - All rights reserved. Unauthorized copying, publication, reproduction as well as partial reproduction are prohibited

april 2019







MODULO PER LA REALIZZAZIONE DELLE MENSOLE **FORTY6** A MISURA PER ART. **5082**

**FORTY6** CUSTOMIZED SHELVES FOR ART. **5082** FORM



**E' obbligatorio fotocopiare questa pagina, compilarla con cura e allegarla all'ordine.**  
It is compulsory to photocopy this page, carefully fill in and attach to the order.

➔➔ **1**

**DETTAGLI ORDINE / ORDER DETAILS**

ordinante - buyer	cliente - client
ordine - order n: _____	data - date: _____
ref.: _____	
annotazioni - notes	

➔➔ **2**

**SCelta ARTICOLO / ITEM CHOICE**

E' importante consultare prima la scheda tecnica relativa  
It's important to consult before the technical detail

art. **F65082**  
mensola / shelf da / from 120 a / to 250 cm

➔➔ **3**

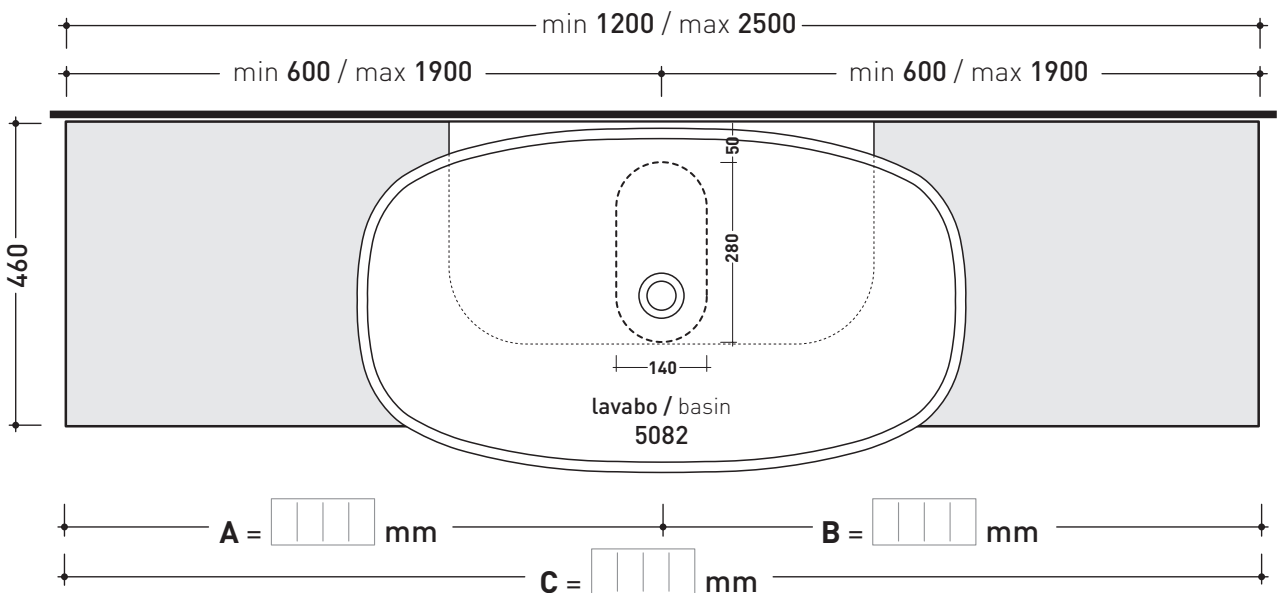
**SCelta MATERIALE / MATERIAL SELECTION**

<b>PIETRALUCE</b> lucida / glossy	<b>PIETRALUCE</b> opaco / mat
<input type="checkbox"/> bianco - white	<input type="checkbox"/> argilla - argilla
<input type="checkbox"/> grigio - grey	<input type="checkbox"/> latte - milky white
<input type="checkbox"/> beige - beige	<input type="checkbox"/> gr. lava - lava grey
<input type="checkbox"/> blu ultram. - marine blue	<input type="checkbox"/> grafite - graphite
<input type="checkbox"/> sabbia - sand	<input type="checkbox"/> rosso cuoio - red
<input type="checkbox"/> nero - black	

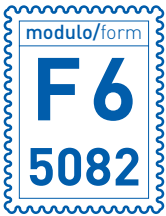
➔➔ **4**

**SCelta MISURE / MEASURES**

**➔ FLAMINIA.**



• **A** = misura interasse lavabo da sinistra / left distance of basin.    • **C** = misura totale della mensola / total length of the shelf.  
• **B** = misura interasse lavabo da destra / right distance of basin.    • verificare sempre che / verify that: **A + B = C.**



MODULO PER LA REALIZZAZIONE DELLE MENSOLE **FORTY6** A MISURA PER DOPPIO ART. **5082**

**FORTY6** CUSTOMIZED SHELVES FOR DOUBLE ART. **5082** FORM



**E' obbligatorio fotocopiare questa pagina, compilarla con cura e allegarla all'ordine.**  
It is compulsory to photocopy this page, carefully fill in and attach to the order.

➔➔ **1**

**DETTAGLI ORDINE / ORDER DETAILS**

ordinante - buyer		cliente - client	
ordine - order n:	data - date:	ref.:	
annotazioni - notes			

➔➔ **2**

**SCELTA ARTICOLO / ITEM CHOICE**

E' importante consultare prima la scheda tecnica relativa  
It's important to consult before the technical detail

art. **F65082**  
mensola / shelf da / from 230 a / to 250 cm

➔➔ **3**

**SCELTA MATERIALE / MATERIAL SELECTION**

**PIETRALUCE** lucida / glossy

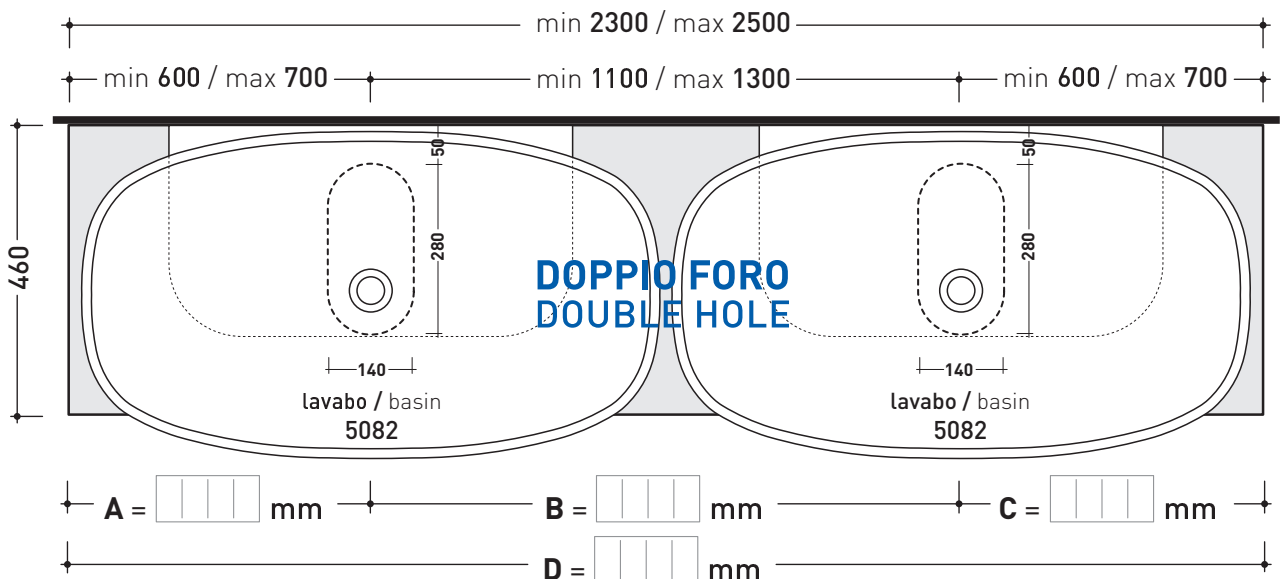
- |  |  |
|--|--|
| <input type="checkbox"/> bianco - white            | <input type="checkbox"/> sabbia - sand     |
| <input type="checkbox"/> grigio - grey             | <input type="checkbox"/> nero - black      |
| <input type="checkbox"/> beige - beige             | <input type="checkbox"/> rosso cuoio - red |
| <input type="checkbox"/> blu ultram. - marine blue |  |

**PIETRALUCE** opaco / mat

- |  |   |
|--|---|
| <input type="checkbox"/> argilla - argilla   | <input type="checkbox"/> gr. lava - lava grey |
| <input type="checkbox"/> latte - milky white | <input type="checkbox"/> grafite - graphite   |

➔➔ **4**

**SCELTA MISURE / MEASURES**



- A = misura interasse lavabo da sinistra / left distance of basin.
- B = misura interasse lavabi / distance between basins.
- C = misura interasse lavabo da destra / right distance of basin.

- D = misura totale della mensola / total length of the shelf.
- verificare sempre che / verify that: **A + B + C = D.**

design **FLAMINIA DESIGN TEAM**

2010

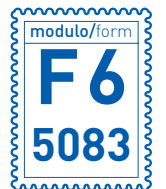
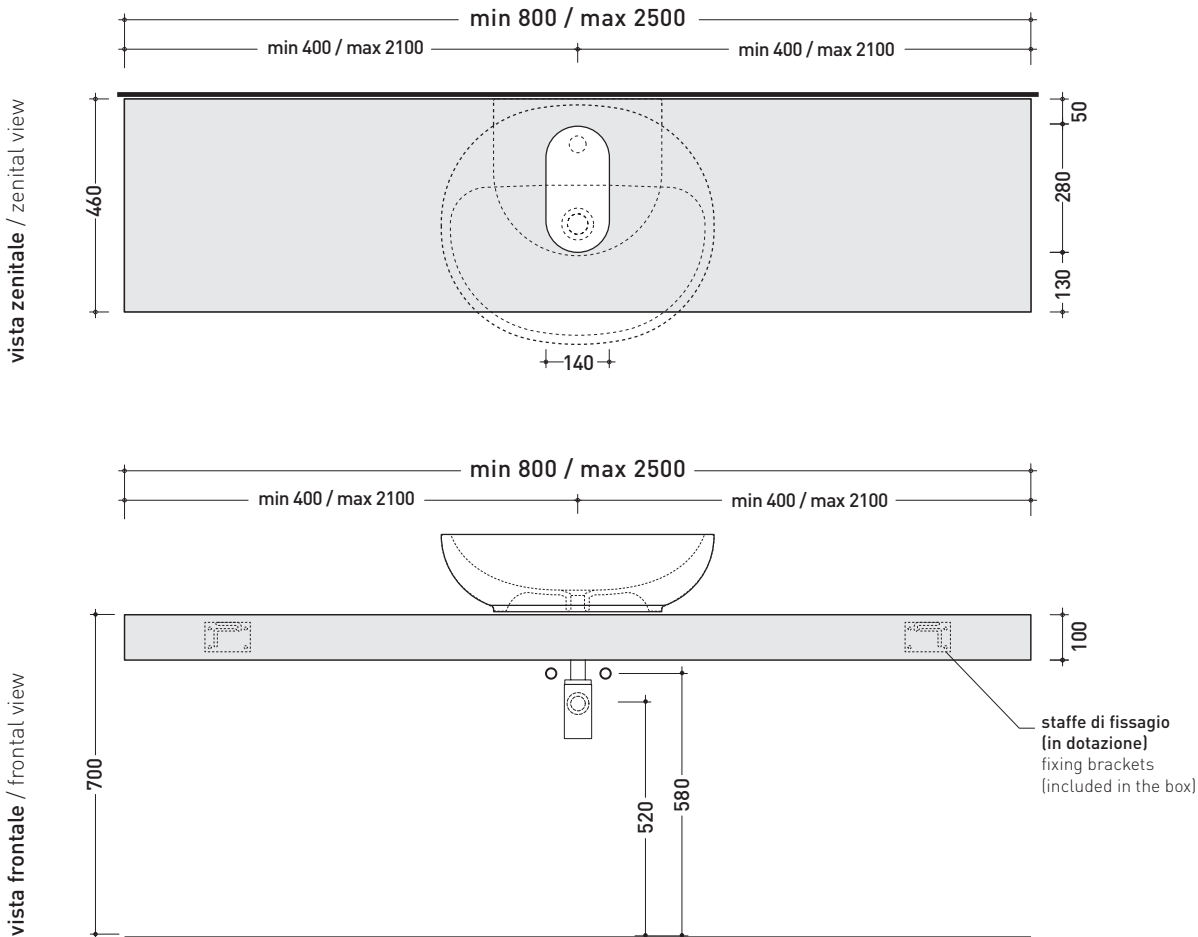
## F65083 suitable for Nuda 60 (5083)

Shelf from 80 to 250 x 46 x h 10 cm suitable for Nuda 60 basin  
(fixing brackets included)

Complements: **Make-Up mirrors and lamps**  
**App mirros**  
**Simple mirros**  
**Hot/Cold mirror (SPHC)**  
**Left/Right mirror (SPLR)**  
**Line mirrors (BASC20 - BASC30 - BASC40)**



Tap holes are not made on this article by Flaminia



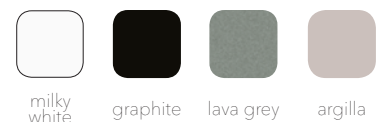
REFERENCE TO THE COMPULSORY ORDER FORM

sizes in mm

**PIETRALUCE:** glossy finish



**matt finish**





MODULO PER LA REALIZZAZIONE DELLE MENSOLE **FORTY6** A MISURA PER ART. **5083**

**FORTY6** CUSTOMIZED SHELVES FOR ART. **5083** FORM



**E' obbligatorio fotocopiare questa pagina, compilarla con cura e allegarla all'ordine.**  
It is compulsory to photocopy this page, carefully fill in and attach to the order.

➔➔ **1**

**DETTAGLI ORDINE / ORDER DETAILS**

ordinante - buyer		cliente - client	
ordine - order n:	data - date:	ref.:	
annotazioni - notes			

➔➔ **2**

**SCELTA ARTICOLO / ITEM CHOICE**

E' importante consultare prima la scheda tecnica relativa  
It's important to consult before the technical detail

art. **F65083**  
mensola / shelf da / from **80 a / to 250 cm**

➔➔ **3**

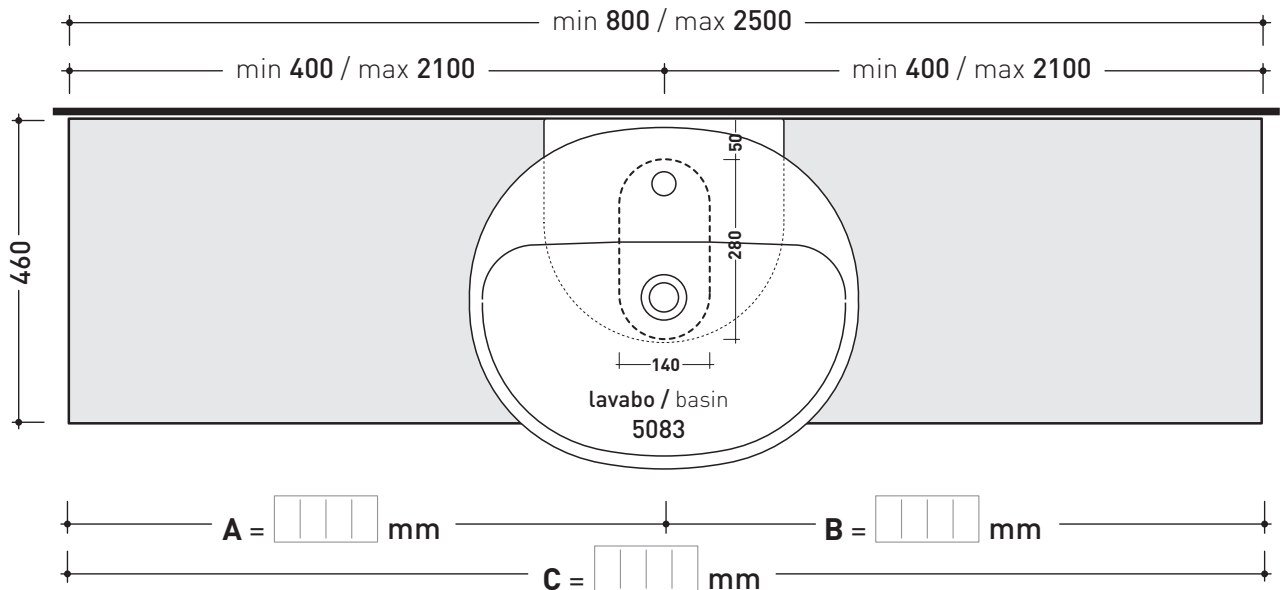
**SCELTA MATERIALE / MATERIAL SELECTION**

PIETRALUCE lucida / glossy		PIETRALUCE opaco / mat	
<input type="checkbox"/> bianco - white	<input type="checkbox"/> sabbia - sand	<input type="checkbox"/> argilla - argilla	<input type="checkbox"/> gr. lava - lava grey
<input type="checkbox"/> grigio - grey	<input type="checkbox"/> nero - black	<input type="checkbox"/> latte - milky white	<input type="checkbox"/> grafite - graphite
<input type="checkbox"/> beige - beige	<input type="checkbox"/> rosso cuoio - red		
<input type="checkbox"/> blu ultram. - marine blue			

➔➔ **4**

**SCELTA MISURE / MEASURES**

➔ **FLAMINIA.**



• **A** = misura interasse lavabo da sinistra / left distance of basin.      • **C** = misura totale della mensola / total length of the shelf.  
• **B** = misura interasse lavabo da destra / right distance of basin.      • verificare sempre che / verify that: **A + B = C.**



MODULO PER LA REALIZZAZIONE DELLE MENSOLE **FORTY6** A MISURA PER DOPPIO ART. **5083**

**FORTY6** CUSTOMIZED SHELVES FOR DOUBLE ART. **5083** FORM



**E' obbligatorio fotocopiare questa pagina, compilarla con cura e allegarla all'ordine.**  
It is compulsory to photocopy this page, carefully fill in and attach to the order.

➔➔ **1**

**DETTAGLI ORDINE / ORDER DETAILS**

ordinante - buyer		cliente - client	
ordine - order n:	data - date:	ref.:	
annotazioni - notes			

➔➔ **2**

**SCELTA ARTICOLO / ITEM CHOICE**

E' importante consultare prima la scheda tecnica relativa  
It's important to consult before the technical detail

art. **F65083**  
mensola / shelf da / from 170 a / to 250 cm

➔➔ **3**

**SCELTA MATERIALE / MATERIAL SELECTION**

**PIETRALUCE** lucida / glossy

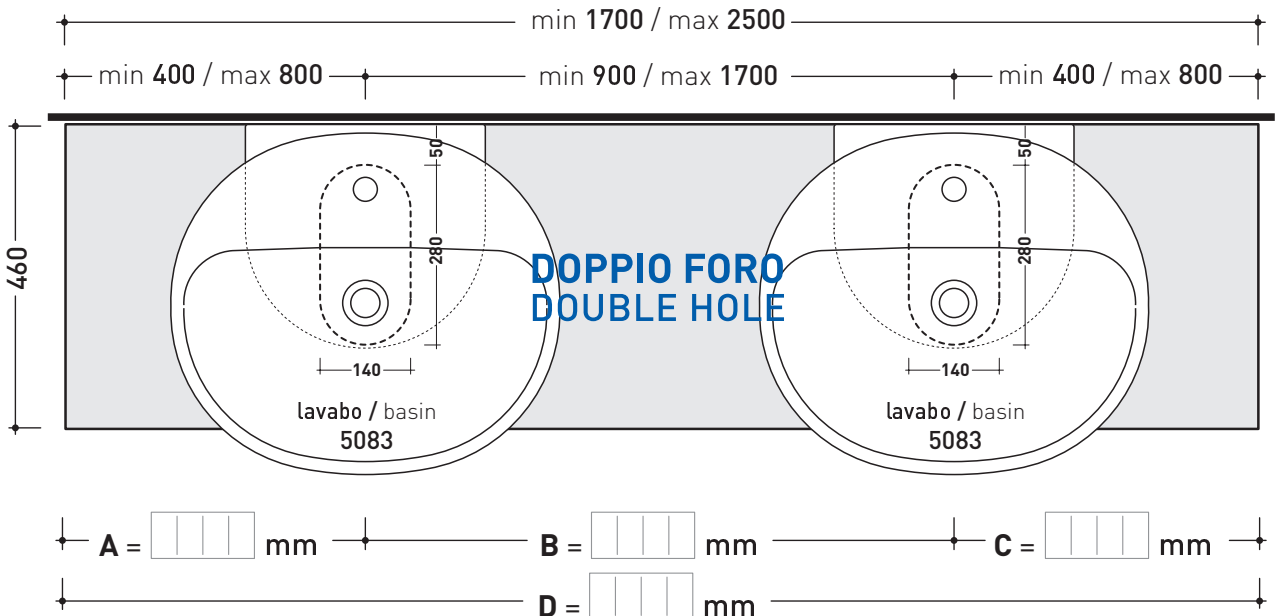
- |  |  |
|--|--|
| <input type="checkbox"/> bianco - white            | <input type="checkbox"/> sabbia - sand     |
| <input type="checkbox"/> grigio - grey             | <input type="checkbox"/> nero - black      |
| <input type="checkbox"/> beige - beige             | <input type="checkbox"/> rosso cuoio - red |
| <input type="checkbox"/> blu ultram. - marine blue |  |

**PIETRALUCE** opaco / mat

- |  |   |
|--|---|
| <input type="checkbox"/> argilla - argilla   | <input type="checkbox"/> gr. lava - lava grey |
| <input type="checkbox"/> latte - milky white | <input type="checkbox"/> grafite - graphite   |

➔➔ **4**

**SCELTA MISURE / MEASURES**



➔ **FLAMINIA.**

- **A** = misura interasse lavabo da sinistra / left distance of basin.
- **B** = misura interasse lavabi / distance between basins.
- **C** = misura interasse lavabo da destra / right distance of basin.

- **D** = misura totale della mensola / total length of the shelf.
- verificare sempre che / verify that: **A + B + C = D.**

design **FLAMINIA DESIGN TEAM**

2010

## F6BL to suit Boll (BL42L - BL56L)

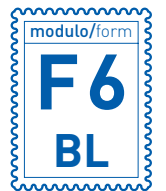
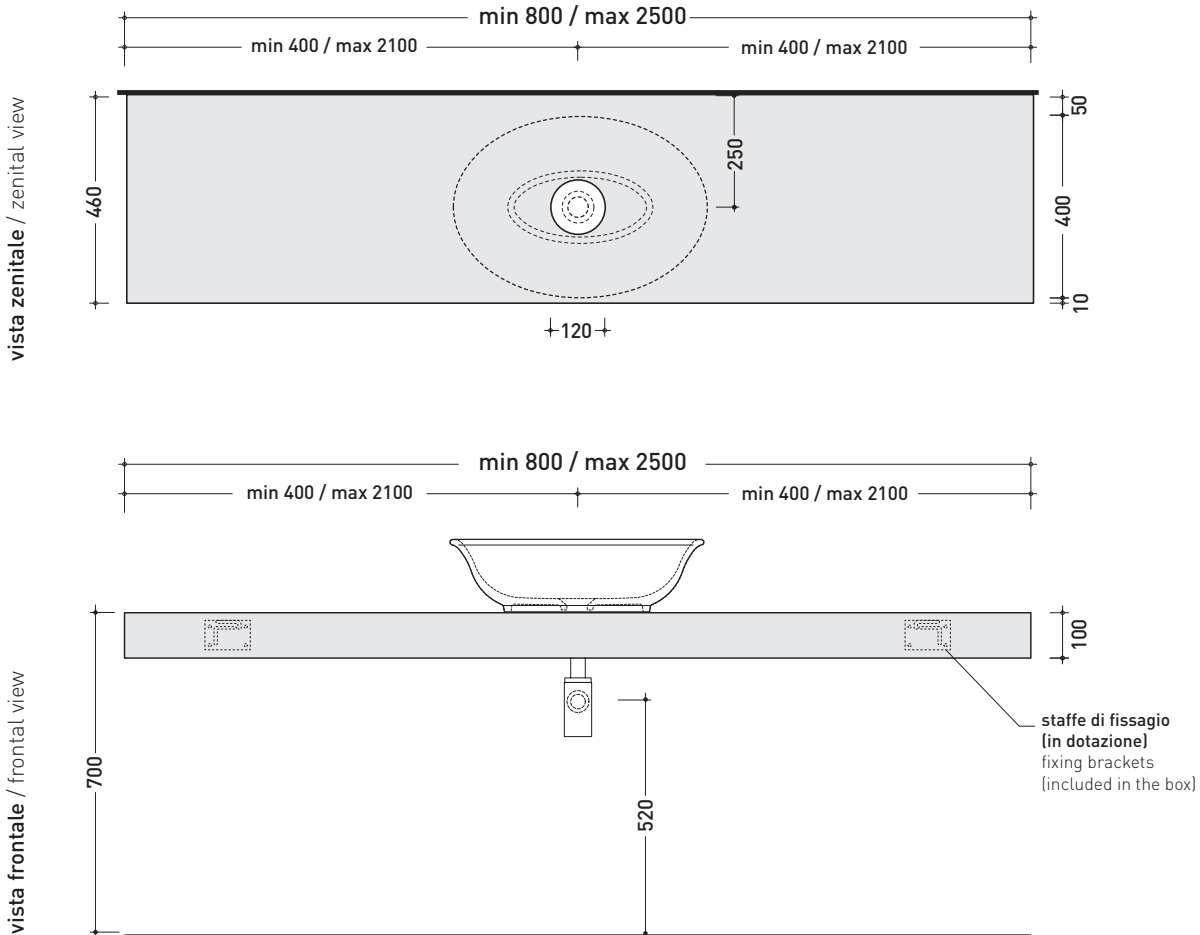
Shelf from 80 to 250 x 46 x h 10 cm suitable for Boll basins  
(fixing brackets included)

Complements: **Make-Up mirrors and lamps**

- App mirros
- Simple mirros
- Hot/Cold mirror (SPHC)
- Left/Right mirror (SPLR)
- Line mirrors (BASC20 - BASC30 - BASC40)



Tap holes are not made on this article by Flaminia



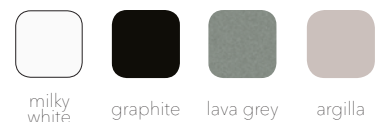
REFERENCE TO THE COMPULSORY ORDER FORM

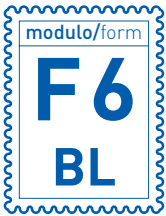
sizes in mm

PIETRALUCE: glossy finish



matt finish





MODULO PER LA REALIZZAZIONE DELLE MENSOLE **FORTY6** A MISURA PER ART. **BL42L/BL56L**

**FORTY6** CUSTOMIZED SHELVES FOR ART. **BL42L/BL56L** FORM



**E' obbligatorio fotocopiare questa pagina, compilarla con cura e allegarla all'ordine.**  
It is compulsory to photocopy this page, carefully fill in and attach to the order.

➔➔ **1**

**DETTAGLI ORDINE / ORDER DETAILS**

ordinante - buyer		cliente - client	
ordine - order n:	data - date:	ref.:	
annotazioni - notes			

➔➔ **2**

**SCELTA ARTICOLO / ITEM CHOICE**

E' importante consultare prima la scheda tecnica relativa  
It's important to consult before the technical detail

art. **F6BL**  
mensola / shelf da / from 80 a / to 250 cm

➔➔ **3**

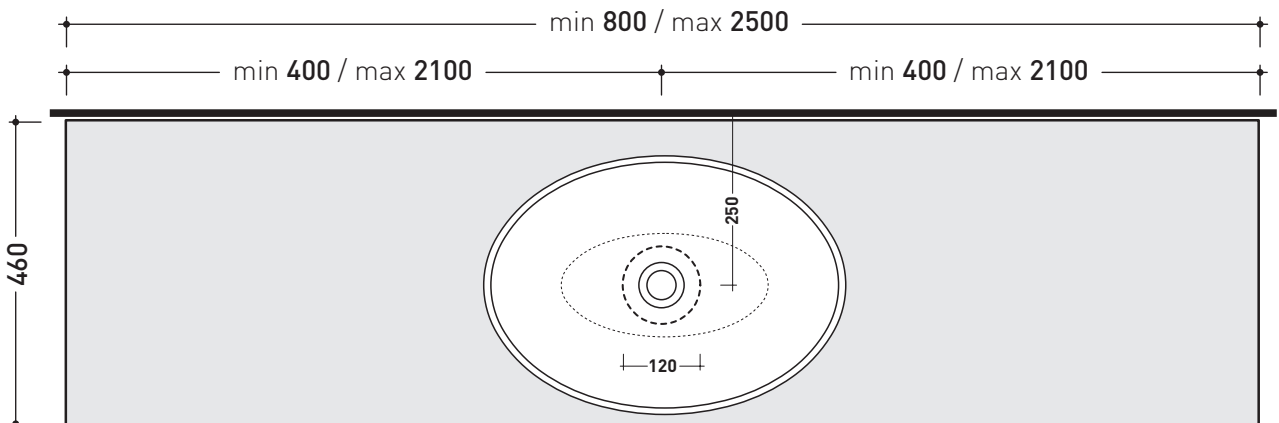
**SCELTA MATERIALE / MATERIAL SELECTION**

<b>PIETRALUCE</b> lucida / glossy		<b>PIETRALUCE</b> opaco / mat	
<input type="checkbox"/> bianco - white	<input type="checkbox"/> sabbia - sand	<input type="checkbox"/> argilla - argilla	<input type="checkbox"/> gr. lava - lava grey
<input type="checkbox"/> grigio - grey	<input type="checkbox"/> nero - black	<input type="checkbox"/> latte - milky white	<input type="checkbox"/> grafite - graphite
<input type="checkbox"/> beige - beige	<input type="checkbox"/> rosso cuoio - red		
<input type="checkbox"/> blu ultram. - marine blue			

➔➔ **4**

**SCELTA MISURE / MEASURES**

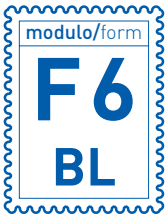
➔ **FLAMINIA.**



lavabo / basin  
**BL42L - BL56L**

A =	<input type="text"/>	mm	B =	<input type="text"/>	mm
C =		<input type="text"/>	mm		

• **A** = misura interasse lavabo da sinistra / left distance of basin. • **C** = misura totale della mensola / total length of the shelf.  
• **B** = misura interasse lavabo da destra / right distance of basin. • verificare sempre che / verify that: **A + B = C.**



MODULO PER LA REALIZZAZIONE DELLE MENSOLE **FORTY6** A MISURA PER DOPPIO ART. **BL42L/BL56L**

**FORTY6** CUSTOMIZED SHELVES FOR DOUBLE ART. **BL42L/BL56L** FORM



**E' obbligatorio fotocopiare questa pagina, compilarla con cura e allegarla all'ordine.**  
It is compulsory to photocopy this page, carefully fill in and attach to the order.

➔➔ **1**

**DETTAGLI ORDINE / ORDER DETAILS**

ordinante - buyer		cliente - client	
ordine - order n:	data - date:	ref.:	
annotazioni - notes			

➔➔ **2**

**SCELTA ARTICOLO / ITEM CHOICE**

E' importante consultare prima la scheda tecnica relativa  
It's important to consult before the technical detail

art. **F6BL**  
mensola / shelf da / from **166 a / to 250 cm**

➔➔ **3**

**SCELTA MATERIALE / MATERIAL SELECTION**

**PIETRALUCE** lucida / glossy

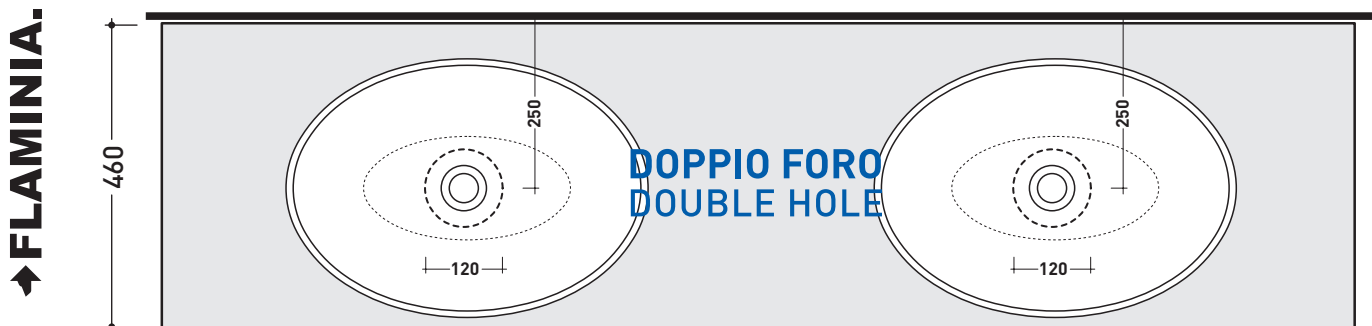
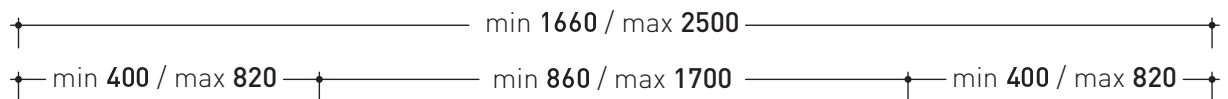
- |  |  |
|--|--|
| <input type="checkbox"/> bianco - white            | <input type="checkbox"/> sabbia - sand     |
| <input type="checkbox"/> grigio - grey             | <input type="checkbox"/> nero - black      |
| <input type="checkbox"/> beige - beige             | <input type="checkbox"/> rosso cuoio - red |
| <input type="checkbox"/> blu ultram. - marine blue |  |

**PIETRALUCE** opaco / mat

- |  |   |
|--|---|
| <input type="checkbox"/> argilla - argilla   | <input type="checkbox"/> gr. lava - lava grey |
| <input type="checkbox"/> latte - milky white | <input type="checkbox"/> grafite - graphite   |

➔➔ **4**

**SCELTA MISURE / MEASURES**



lavabo / basin  
BL42L - BL56L

lavabo / basin  
BL42L - BL56L



- **A** = misura interasse lavabo da sinistra / left distance of basin.
- **B** = misura interasse lavabi / distance between basins.
- **C** = misura interasse lavabo da destra / right distance of basin.

- **D** = misura totale della mensola / total length of the shelf.
- verificare sempre che / verify that: **A + B + C = D.**



## F6RL44 suitable for Roll44 (RL44L)

Shelf from 80 to 250 x 46 x h 10 cm suitable for Roll 44 basin  
(fixing brackets included)

Complements: **Make-Up mirrors and lamps**

App mirros

Simple mirros

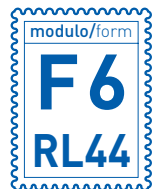
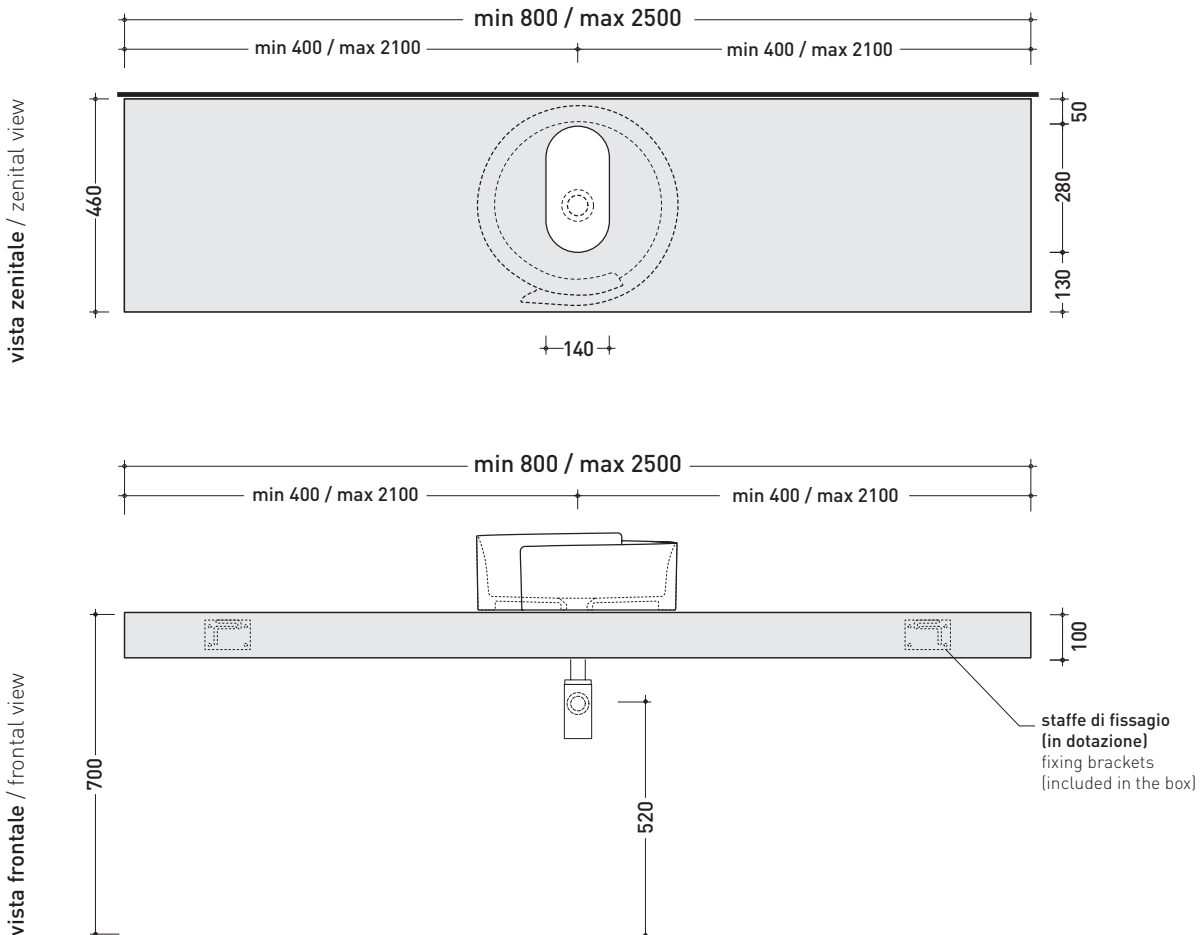
Hot/Cold mirror (SPHC)

Left/Right mirror (SPLR)

Line mirrors (BASC20 - BASC30 - BASC40)



Tap holes are not made on this article by Flaminia



REFERENCE TO  
THE COMPULSORY  
ORDER FORM

sizes in mm

PIETRALUCE: glossy finish



white black marine blue red beige sand grey


matt finish



milky white graphite lava grey argilla



MODULO PER LA REALIZZAZIONE DELLE MENSOLE **FORTY6** A MISURA PER ART. **RL44L**  
**FORTY6** CUSTOMIZED SHELVES FOR ART. **RL44L** FORM

 **E' obbligatorio fotocopiare questa pagina, compilarla con cura e allegarla all'ordine.**  
 It is compulsory to photocopy this page, carefully fill in and attach to the order.

➔➔ **1** DETTAGLI ORDINE / ORDER DETAILS

ordinante - buyer cliente - client

ordine - order n: \_\_\_\_\_ data - date: \_\_\_\_\_ ref.: \_\_\_\_\_

annotazioni - notes \_\_\_\_\_

➔➔ **2** SCELTA ARTICOLO / ITEM CHOICE

E' importante consultare prima la scheda tecnica relativa  
 It's important to consult before the technical detail

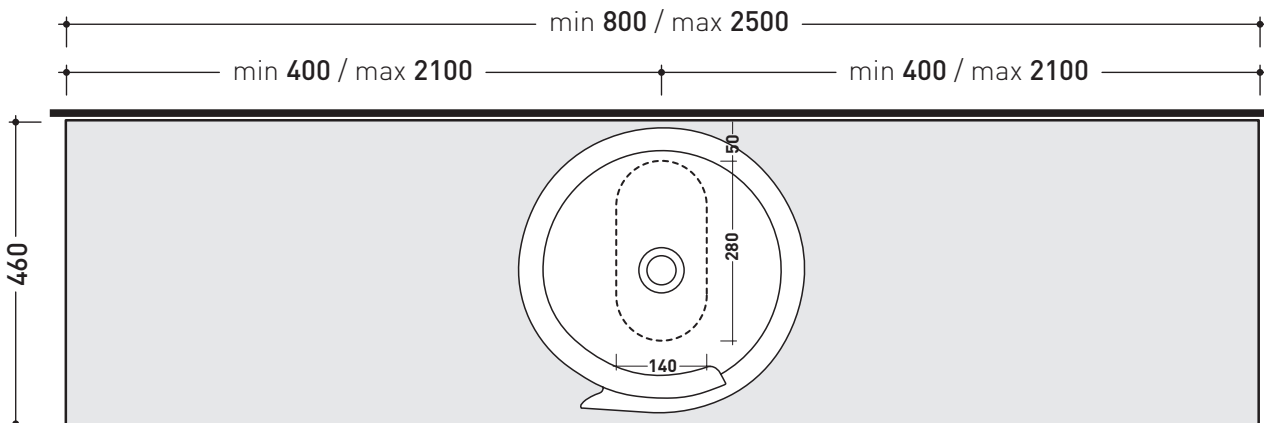
art. **F6RL44**  
 mensola / shelf da / from 80 a / to 250 cm

➔➔ **3** SCELTA MATERIALE / MATERIAL SELECTION

PIETRALUCE lucida / glossy		PIETRALUCE opaco / mat	
<input type="checkbox"/> bianco - white	<input type="checkbox"/> sabbia - sand	<input type="checkbox"/> argilla - argilla	<input type="checkbox"/> gr. lava - lava grey
<input type="checkbox"/> grigio - grey	<input type="checkbox"/> nero - black	<input type="checkbox"/> latte - milky white	<input type="checkbox"/> grafite - graphite
<input type="checkbox"/> beige - beige	<input type="checkbox"/> rosso cuoio - red		
<input type="checkbox"/> blu ultram. - marine blue			

➔➔ **4** SCELTA MISURE / MEASURES

➔ **FLAMINIA.**

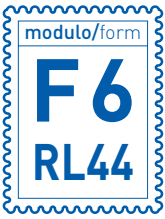


lavabo / basin  
**RL44L**

A =  mm B =  mm

C =  mm

• **A** = misura interasse lavabo da sinistra / left distance of basin. • **C** = misura totale della mensola / total length of the shelf.  
 • **B** = misura interasse lavabo da destra / right distance of basin. • verificare sempre che / verify that: **A + B = C.**



MODULO PER LA REALIZZAZIONE DELLE MENSOLE **FORTY6** A MISURA PER DOPPIO ART. **RL44L**

**FORTY6** CUSTOMIZED SHELVES FOR DOUBLE ART. **RL44L** FORM



**E' obbligatorio fotocopiare questa pagina, compilarla con cura e allegarla all'ordine.**  
It is compulsory to photocopy this page, carefully fill in and attach to the order.

➔➔ **1**

**DETTAGLI ORDINE / ORDER DETAILS**

ordinante - buyer		cliente - client	
ordine - order n:	data - date:	ref.:	
annotazioni - notes			

➔➔ **2**

**SCELTA ARTICOLO / ITEM CHOICE**

E' importante consultare prima la scheda tecnica relativa  
It's important to consult before the technical detail

art. **F6RL44**  
mensola / shelf da / from 138,5 a / to 250 cm

➔➔ **3**

**SCELTA MATERIALE / MATERIAL SELECTION**

**PIETRALUCE** lucida / glossy

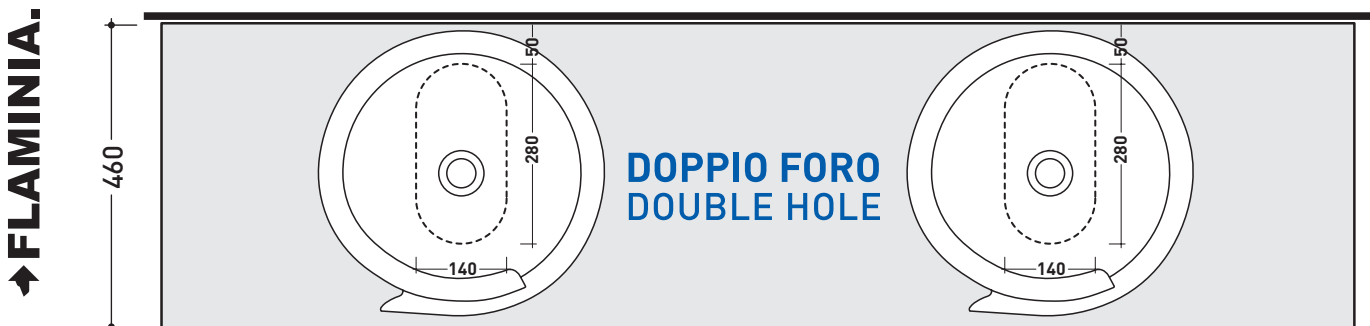
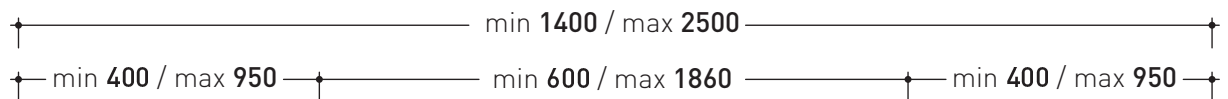
- |  |  |
|--|--|
| <input type="checkbox"/> bianco - white            | <input type="checkbox"/> sabbia - sand     |
| <input type="checkbox"/> grigio - grey             | <input type="checkbox"/> nero - black      |
| <input type="checkbox"/> beige - beige             | <input type="checkbox"/> rosso cuoio - red |
| <input type="checkbox"/> blu ultram. - marine blue |  |

**PIETRALUCE** opaco / mat

- |  |   |
|--|---|
| <input type="checkbox"/> argilla - argilla   | <input type="checkbox"/> gr. lava - lava grey |
| <input type="checkbox"/> latte - milky white | <input type="checkbox"/> grafite - graphite   |

➔➔ **4**

**SCELTA MISURE / MEASURES**



lavabo / basin  
**RL44L**

lavabo / basin  
**RL44L**



- **A** = misura interasse lavabo da sinistra / left distance of basin.
- **B** = misura interasse lavabi / distance between basins.
- **C** = misura interasse lavabo da destra / right distance of basin.

- **D** = misura totale della mensola / total length of the shelf.
- verificare sempre che / verify that: **A + B + C = D.**

design **FLAMINIA DESIGN TEAM**

2010

## F6RL56 suitable for Roll56 (RL56L)

Shelf from 80 to 250 x 46 x h 10 cm suitable for Roll 56 basin  
(fixing brackets included)

Complements: **Make-Up mirrors and lamps**

App mirros

Simple mirros

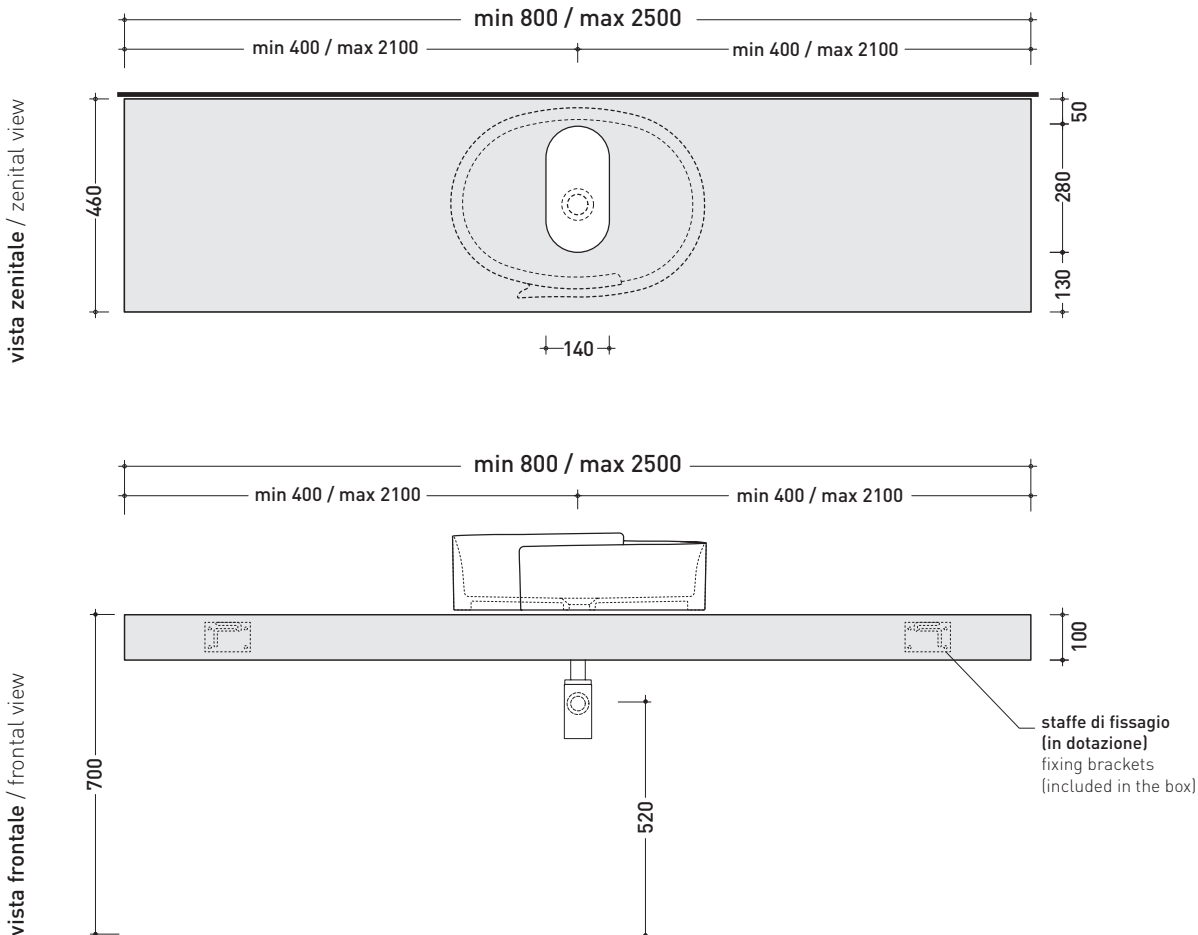
Hot/Cold mirror (SPHC)

Left/Right mirror (SPLR)

Line mirrors (BASC20 - BASC30 - BASC40)



Tap holes are not made on this article by Flaminia



REFERENCE TO  
THE COMPULSORY  
ORDER FORM

sizes in mm

PIETRALUCE: glossy finish



white black marine blue red beige sand grey

matt finish



milky white graphite lava grey argilla

<http://www.ceramicaflaminia.it/en/products/291-forty6>


©ceramicaflaminiaspa - All rights reserved. Unauthorized copying, publication, reproduction as well as partial reproduction are prohibited

april 2019





MODULO PER LA REALIZZAZIONE DELLE MENSOLE **FORTY6** A MISURA PER ART. **RL56L**  
**FORTY6** CUSTOMIZED SHELVES FOR ART. **RL56L** FORM

 **E' obbligatorio fotocopiare questa pagina, compilarla con cura e allegarla all'ordine.**  
 It is compulsory to photocopy this page, carefully fill in and attach to the order.

➔➔ **1** DETTAGLI ORDINE / ORDER DETAILS

ordinante - buyer \_\_\_\_\_ cliente - client \_\_\_\_\_

ordine - order n: \_\_\_\_\_ data - date: \_\_\_\_\_ ref.: \_\_\_\_\_

annotazioni - notes \_\_\_\_\_

➔➔ **2** SCELTA ARTICOLO / ITEM CHOICE

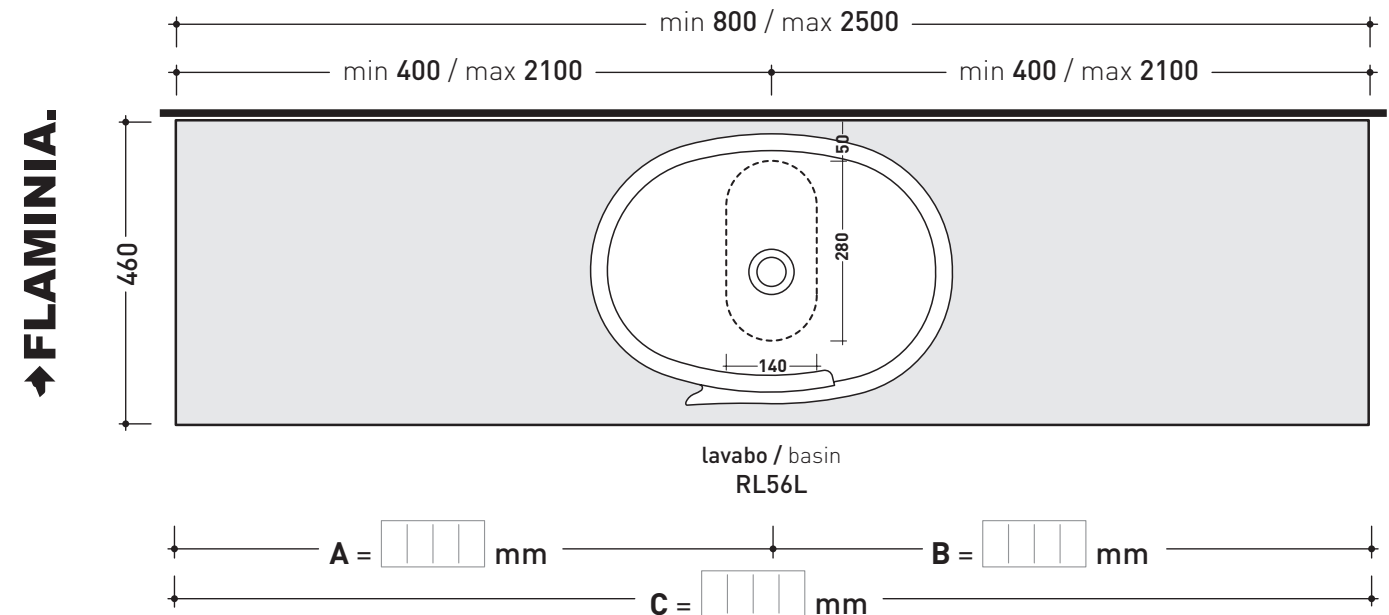
E' importante consultare prima la scheda tecnica relativa  
 It's important to consult before the technical detail

art. **F6RL56**  
 mensola / shelf da / from 80 a / to 250 cm

➔➔ **3** SCELTA MATERIALE / MATERIAL SELECTION

<b>PIETRALUCE</b> lucida / glossy		<b>PIETRALUCE</b> opaco / mat	
<input type="checkbox"/> bianco - white	<input type="checkbox"/> sabbia - sand	<input type="checkbox"/> argilla - argilla	<input type="checkbox"/> gr. lava - lava grey
<input type="checkbox"/> grigio - grey	<input type="checkbox"/> nero - black	<input type="checkbox"/> latte - milky white	<input type="checkbox"/> grafite - graphite
<input type="checkbox"/> beige - beige	<input type="checkbox"/> rosso cuoio - red		
<input type="checkbox"/> blu ultram. - marine blue			

➔➔ **4** SCELTA MISURE / MEASURES



• **A** = misura interasse lavabo da sinistra / left distance of basin.      • **C** = misura totale della mensola / total length of the shelf.  
 • **B** = misura interasse lavabo da destra / right distance of basin.      • verificare sempre che / verify that: **A + B = C.**



MODULO PER LA REALIZZAZIONE DELLE MENSOLE **FORTY6** A MISURA PER DOPPIO ART. **RL56L**

**FORTY6** CUSTOMIZED SHELVES FOR DOUBLE ART. **RL56L** FORM



**E' obbligatorio fotocopiare questa pagina, compilarla con cura e allegarla all'ordine.**  
It is compulsory to photocopy this page, carefully fill in and attach to the order.

➔➔ **1**

**DETTAGLI ORDINE / ORDER DETAILS**

ordinante - buyer		cliente - client	
ordine - order n:	data - date:	ref.:	
annotazioni - notes			

➔➔ **2**

**SCELTA ARTICOLO / ITEM CHOICE**

E' importante consultare prima la scheda tecnica relativa  
It's important to consult before the technical detail

art. **F6RL56**  
mensola / shelf da / from **166 a / to 250 cm**

➔➔ **3**

**SCELTA MATERIALE / MATERIAL SELECTION**

**PIETRALUCE** lucida / glossy

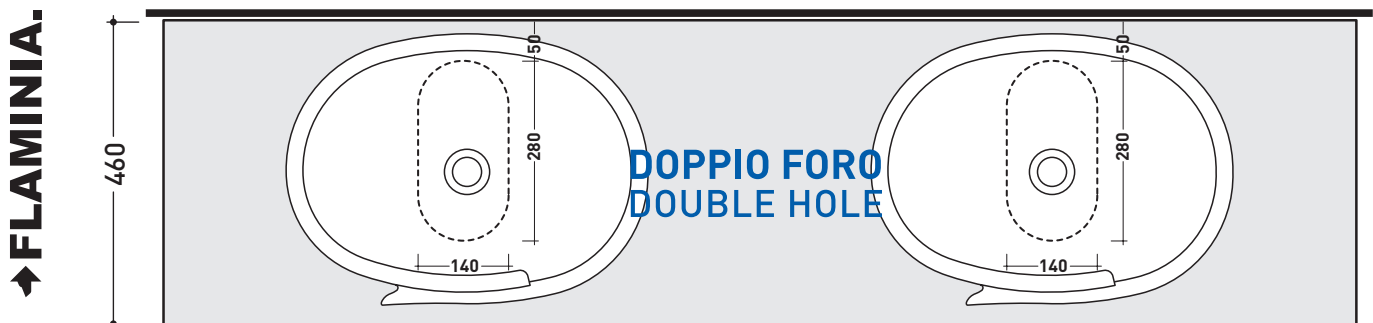
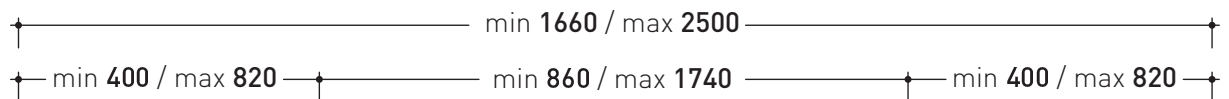
- |  |  |
|--|--|
| <input type="checkbox"/> bianco - white            | <input type="checkbox"/> sabbia - sand     |
| <input type="checkbox"/> grigio - grey             | <input type="checkbox"/> nero - black      |
| <input type="checkbox"/> beige - beige             | <input type="checkbox"/> rosso cuoio - red |
| <input type="checkbox"/> blu ultram. - marine blue |  |

**PIETRALUCE** opaco / mat

- |  |   |
|--|---|
| <input type="checkbox"/> argilla - argilla   | <input type="checkbox"/> gr. lava - lava grey |
| <input type="checkbox"/> latte - milky white | <input type="checkbox"/> grafite - graphite   |

➔➔ **4**

**SCELTA MISURE / MEASURES**



lavabo / basin  
**RL56L**

lavabo / basin  
**RL56L**



- **A** = misura interasse lavabo da sinistra / left distance of basin.
- **B** = misura interasse lavabi / distance between basins.
- **C** = misura interasse lavabo da destra / right distance of basin.

- **D** = misura totale della mensola / total length of the shelf.
- verificare sempre che / verify that: **A + B + C = D.**

## F6RL44S suitable for Roll 44 (RL44S)

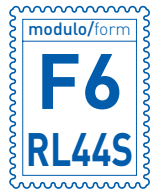
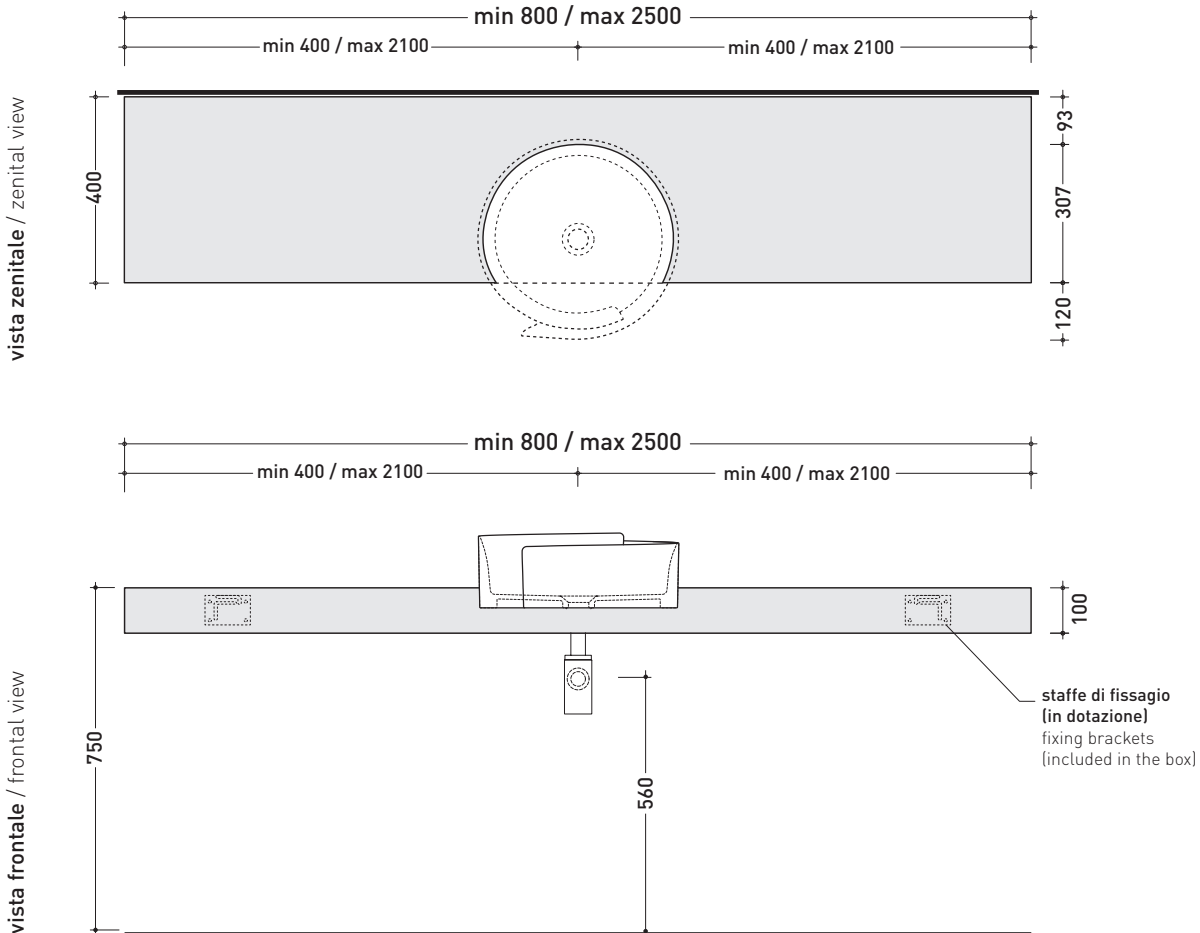
Shelf from 80 to 250 x 40 x h 10 cm suitable for Roll 44 semi-inset basin (fixing brackets included)

Complements: **Make-Up mirrors and lamps**

- App mirros
- Simple mirros
- Hot/Cold mirror (SPHC)
- Left/Right mirror (SPLR)
- Line mirrors (BASC20 - BASC30 - BASC40)



Tap holes are not made on this article by Flaminia



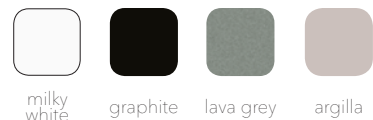
REFERENCE TO THE COMPULSORY ORDER FORM

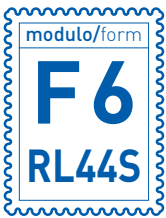
sizes in mm

**PIETRALUCE:** glossy finish




**matt finish**





MODULO PER LA REALIZZAZIONE DELLE MENSOLE **FORTY6** A MISURA PER ART. **RL44S**  
**FORTY6** CUSTOMIZED SHELVES FOR ART. **RL44S** FORM

 **E' obbligatorio fotocopiare questa pagina, compilarla con cura e allegarla all'ordine.**  
 It is compulsory to photocopy this page, carefully fill in and attach to the order.

➔➔ **1** DETTAGLI ORDINE / ORDER DETAILS

ordinante - buyer \_\_\_\_\_ cliente - client \_\_\_\_\_

ordine - order n: \_\_\_\_\_ data - date: \_\_\_\_\_ ref.: \_\_\_\_\_

annotazioni - notes \_\_\_\_\_

➔➔ **2** SCELTA ARTICOLO / ITEM CHOICE

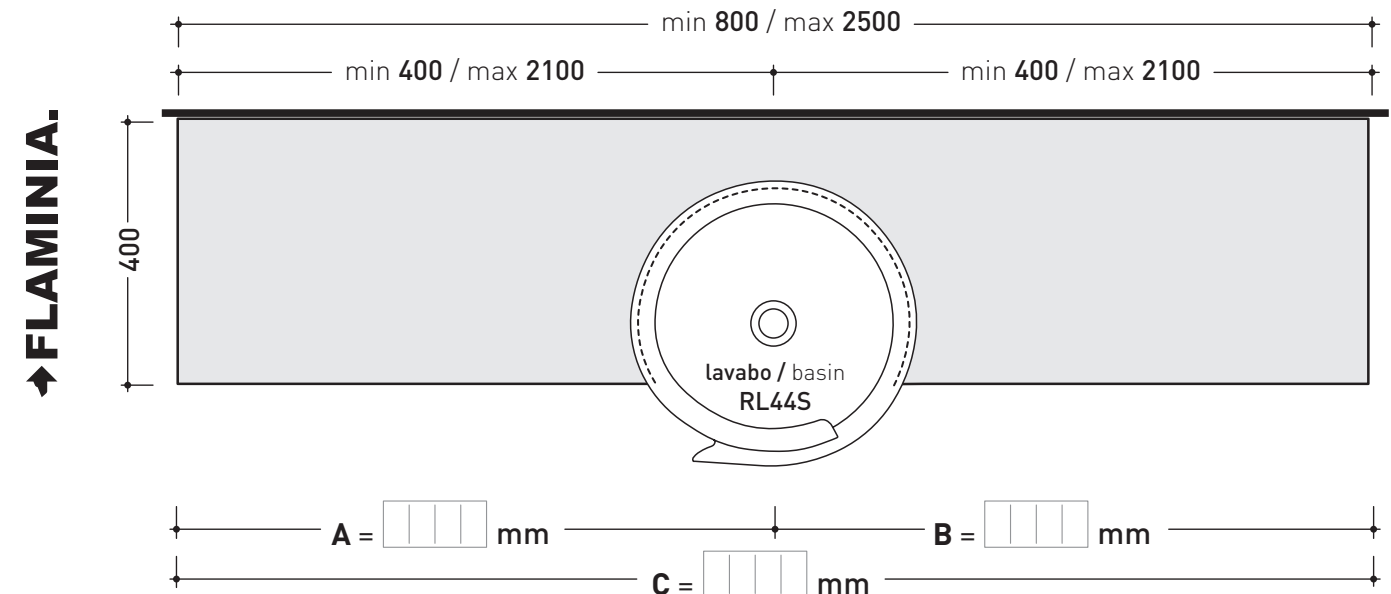
E' importante consultare prima la scheda tecnica relativa  
 It's important to consult before the technical detail

art. **F6RL44S**  
 mensola / shelf da / from **80 a / to 250 cm**

➔➔ **3** SCELTA MATERIALE / MATERIAL SELECTION

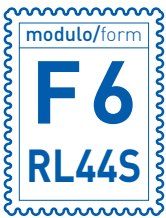
<b>PIETRALUCE</b> lucida / glossy		<b>PIETRALUCE</b> opaco / mat	
<input type="checkbox"/> bianco - white	<input type="checkbox"/> sabbia - sand	<input type="checkbox"/> argilla - argilla	<input type="checkbox"/> gr. lava - lava grey
<input type="checkbox"/> grigio - grey	<input type="checkbox"/> nero - black	<input type="checkbox"/> latte - milky white	<input type="checkbox"/> grafite - graphite
<input type="checkbox"/> beige - beige	<input type="checkbox"/> rosso cuoio - red		
<input type="checkbox"/> blu ultram. - marine blue			

➔➔ **4** SCELTA MISURE / MEASURES



• **A** = misura interasse lavabo da sinistra / left distance of basin. • **C** = misura totale della mensola / total length of the shelf.  
 • **B** = misura interasse lavabo da destra / right distance of basin. • verificare sempre che / verify that: **A + B = C**.





MODULO PER LA REALIZZAZIONE DELLE MENSOLE **FORTY6** A MISURA PER DOPPIO ART. **RL44S**

**FORTY6** CUSTOMIZED SHELVES FOR DOUBLE ART. **RL44S** FORM



**E' obbligatorio fotocopiare questa pagina, compilarla con cura e allegarla all'ordine.**  
It is compulsory to photocopy this page, carefully fill in and attach to the order.

➔➔ **1**

**DETTAGLI ORDINE / ORDER DETAILS**

ordinante - buyer		cliente - client	
ordine - order n:	data - date:	ref.:	
annotazioni - notes			

➔➔ **2**

**SCELTA ARTICOLO / ITEM CHOICE**

E' importante consultare prima la scheda tecnica relativa  
It's important to consult before the technical detail

art. **F6RL44S**  
mensola / shelf da / from 160 a / to 250 cm

➔➔ **3**

**SCELTA MATERIALE / MATERIAL SELECTION**

**PIETRALUCE** lucida / glossy

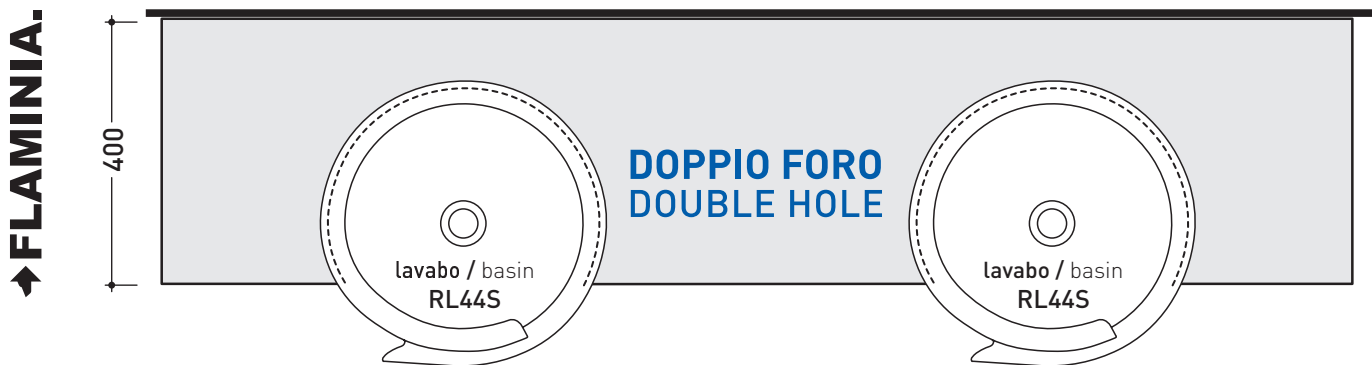
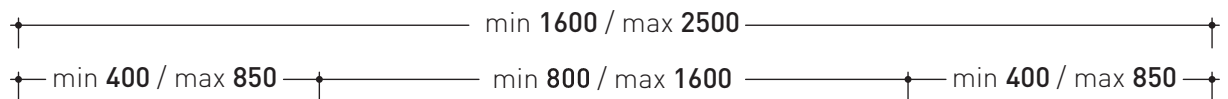
- |  |  |
|--|--|
| <input type="checkbox"/> bianco - white            | <input type="checkbox"/> sabbia - sand     |
| <input type="checkbox"/> grigio - grey             | <input type="checkbox"/> nero - black      |
| <input type="checkbox"/> beige - beige             | <input type="checkbox"/> rosso cuoio - red |
| <input type="checkbox"/> blu ultram. - marine blue |  |

**PIETRALUCE** opaco / mat

- |  |   |
|--|---|
| <input type="checkbox"/> argilla - argilla   | <input type="checkbox"/> gr. lava - lava grey |
| <input type="checkbox"/> latte - milky white | <input type="checkbox"/> grafite - graphite   |

➔➔ **4**

**SCELTA MISURE / MEASURES**



- A = misura interasse lavabo da sinistra / left distance of basin.
- B = misura interasse lavabi / distance between basins.
- C = misura interasse lavabo da destra / right distance of basin.
- D = misura totale della mensola / total length of the shelf.
- verificare sempre che / verify that: **A + B + C = D.**

## F6RL56S suitable for Roll 56 (RL56S)

Shelf from 80 to 250 x 40 x h 10 cm suitable for Roll 56 semi-inset basin (fixing brackets included)

Complements: **Make-Up mirrors and lamps**

App mirros

Simple mirros

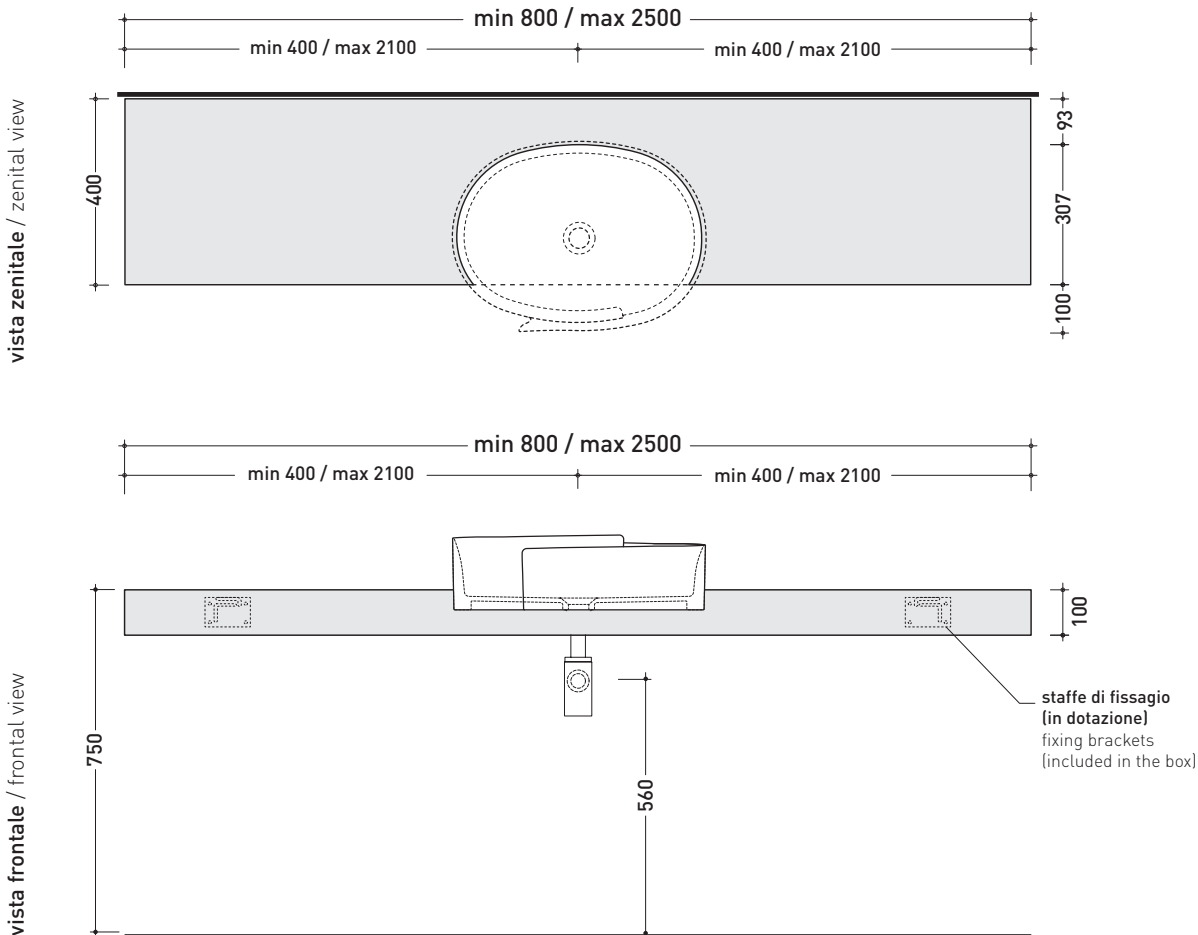
Hot/Cold mirror (SPHC)

Left/Right mirror (SPLR)

Line mirrors (BASC20 - BASC30 - BASC40)



Tap holes are not made on this article by Flaminia



REFERENCE TO THE COMPULSORY ORDER FORM

sizes in mm

PIETRALUCE: glossy finish

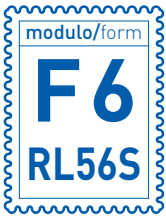


white black marine blue red beige sand grey

matt finish



milky white graphite lava grey argilla



MODULO PER LA REALIZZAZIONE DELLE MENSOLE **FORTY6** A MISURA PER ART. **RL56S**  
**FORTY6** CUSTOMIZED SHELVES FOR ART. **RL56S** FORM

 **E' obbligatorio fotocopiare questa pagina, compilarla con cura e allegarla all'ordine.**  
 It is compulsory to photocopy this page, carefully fill in and attach to the order.

» **1** **DETTAGLI ORDINE / ORDER DETAILS**

ordinante - buyer		cliente - client	
ordine - order n:	data - date:	ref.:	
annotazioni - notes			

» **2** **SCELTA ARTICOLO / ITEM CHOICE**

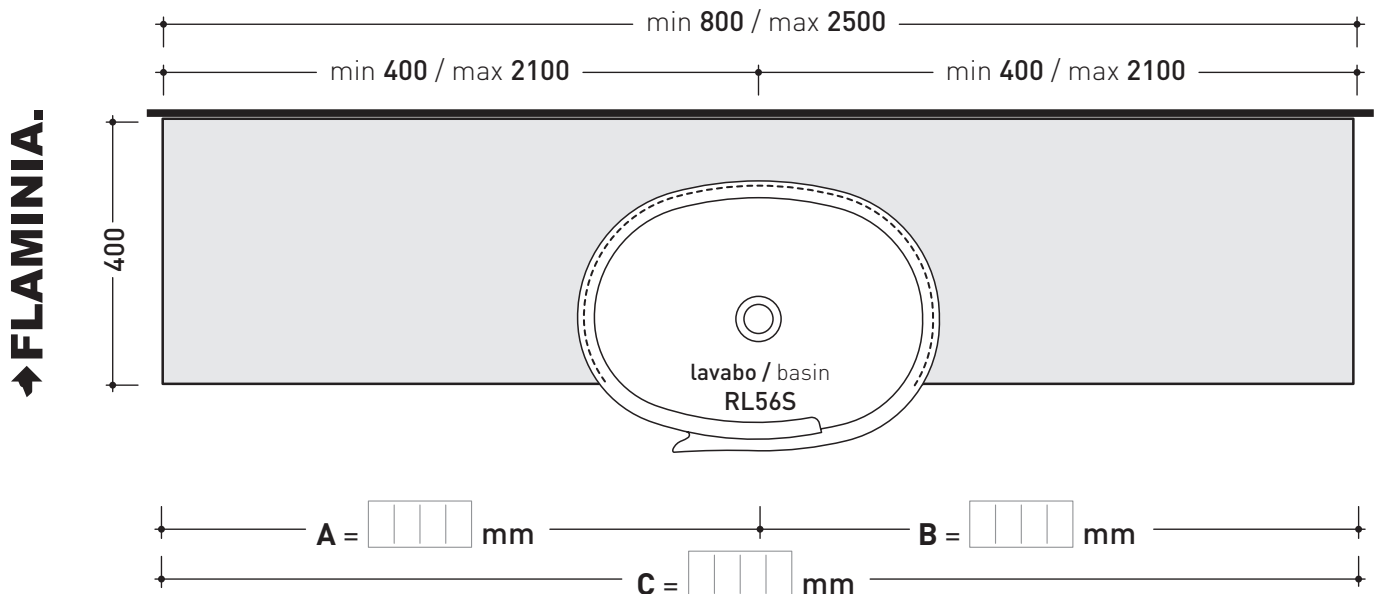
E' importante consultare prima la scheda tecnica relativa  
 It's important to consult before the technical detail

art. **F6RL56S**  
 mensola / shelf da / from 80 a / to 250 cm

» **3** **SCELTA MATERIALE / MATERIAL SELECTION**

PIETRALUCE lucida / glossy		PIETRALUCE opaco / mat	
<input type="checkbox"/> bianco - white	<input type="checkbox"/> sabbia - sand	<input type="checkbox"/> argilla - argilla	<input type="checkbox"/> gr. lava - lava grey
<input type="checkbox"/> grigio - grey	<input type="checkbox"/> nero - black	<input type="checkbox"/> latte - milky white	<input type="checkbox"/> grafite - graphite
<input type="checkbox"/> beige - beige	<input type="checkbox"/> rosso cuoio - red		
<input type="checkbox"/> blu ultram. - marine blue			

» **4** **SCELTA MISURE / MEASURES**



• **A** = misura interasse lavabo da sinistra / left distance of basin. • **C** = misura totale della mensola / total length of the shelf.  
 • **B** = misura interasse lavabo da destra / right distance of basin. • verificare sempre che / verify that: **A + B = C.**



MODULO PER LA REALIZZAZIONE DELLE MENSOLE **FORTY6** A MISURA PER DOPPIO ART. **RL56S**

**FORTY6** CUSTOMIZED SHELVES FOR DOUBLE ART. **RL56S** FORM



**E' obbligatorio fotocopiare questa pagina, compilarla con cura e allegarla all'ordine.**  
It is compulsory to photocopy this page, carefully fill in and attach to the order.

➔➔ **1**

**DETTAGLI ORDINE / ORDER DETAILS**

ordinante - buyer		cliente - client	
ordine - order n:	data - date:	ref.:	
annotazioni - notes			

➔➔ **2**

**SCELTA ARTICOLO / ITEM CHOICE**

E' importante consultare prima la scheda tecnica relativa  
It's important to consult before the technical detail

art. **F6RL56S**  
mensola / shelf da / from 168 a / to 250 cm

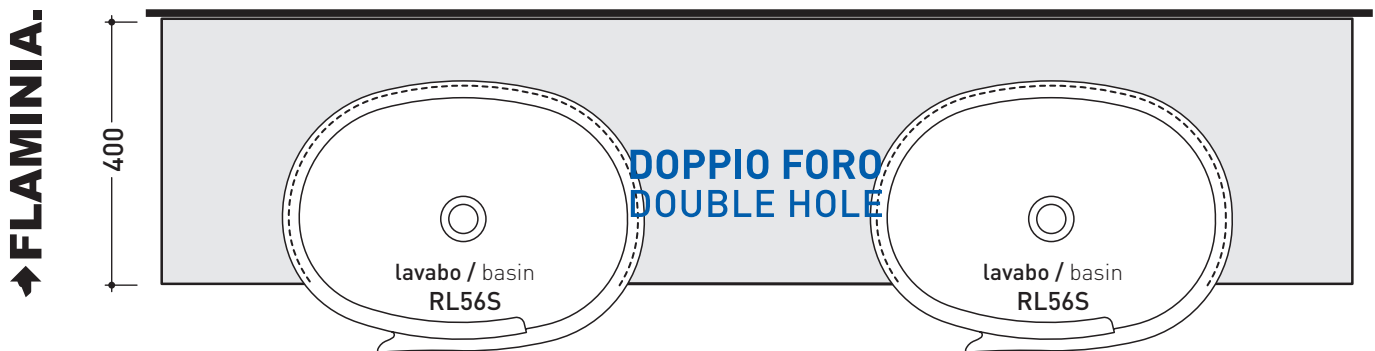
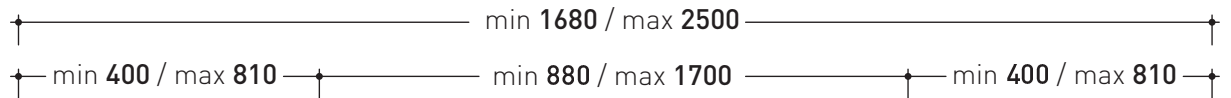
➔➔ **3**

**SCELTA MATERIALE / MATERIAL SELECTION**

PIETRALUCE lucida / glossy		PIETRALUCE opaco / mat	
<input type="checkbox"/> bianco - white	<input type="checkbox"/> sabbia - sand	<input type="checkbox"/> argilla - argilla	<input type="checkbox"/> gr. lava - lava grey
<input type="checkbox"/> grigio - grey	<input type="checkbox"/> nero - black	<input type="checkbox"/> latte - milky white	<input type="checkbox"/> grafite - graphite
<input type="checkbox"/> beige - beige	<input type="checkbox"/> rosso cuoio - red		
<input type="checkbox"/> blu ultram. - marine blue			

➔➔ **4**

**SCELTA MISURE / MEASURES**



- A = misura interasse lavabo da sinistra / left distance of basin.
- B = misura interasse lavabi / distance between basins.
- C = misura interasse lavabo da destra / right distance of basin.
- D = misura totale della mensola / total length of the shelf.
- verificare sempre che / verify that: **A + B + C = D.**

design **FLAMINIA DESIGN TEAM**

2010

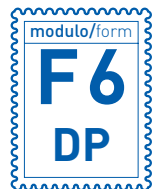
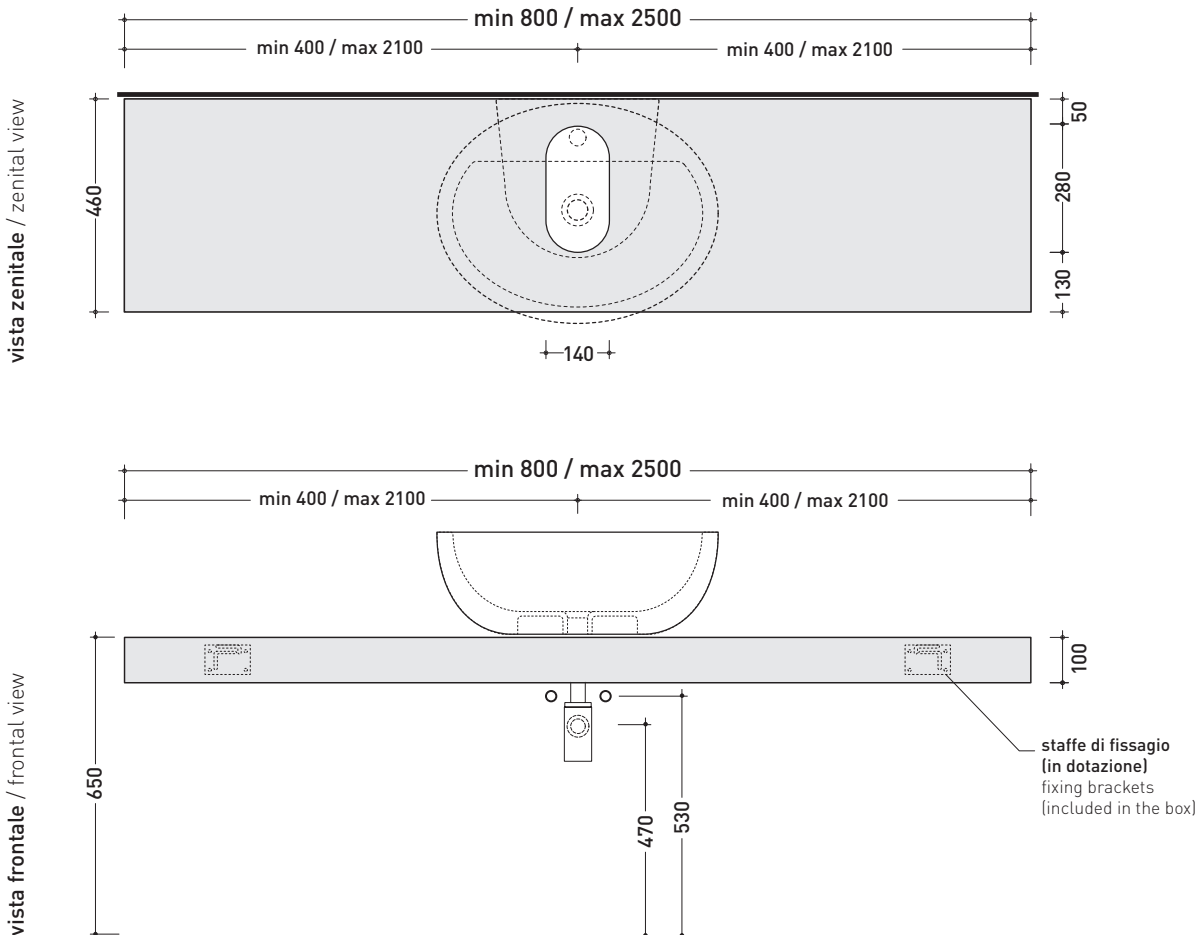
## F6DP suitable for Dip 62 (DP481 - DP482)

Shelf from 80 to 250 x 46 x h 10 cm suitable for Dip 62 basins  
(fixing brackets included)

- Complements:
- Make-Up mirrors and lamps
  - App mirros
  - Simple mirros
  - Hot/Cold mirror (SPHC)
  - Left/Right mirror (SPLR)
  - Line mirrors (BASC20 - BASC30 - BASC40)



Tap holes are not made on this article by Flaminia



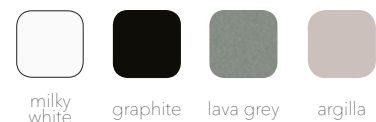
REFERENCE TO  
THE COMPULSORY  
ORDER FORM

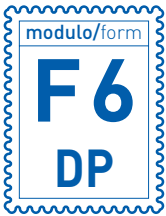
sizes in mm

PIETRALUCE: glossy finish



matt finish





MODULO PER LA REALIZZAZIONE DELLE MENSOLE **FORTY6** A MISURA PER ART. **DP481 / DP482**

**FORTY6** CUSTOMIZED SHELVES FOR ART. **DP481 / DP482** FORM



**E' obbligatorio fotocopiare questa pagina, compilarla con cura e allegarla all'ordine.**  
It is compulsory to photocopy this page, carefully fill in and attach to the order.

➔➔ **1**

**DETTAGLI ORDINE / ORDER DETAILS**

ordinante - buyer		cliente - client	
ordine - order n:	data - date:	ref.:	
annotazioni - notes			

➔➔ **2**

**SCELTA ARTICOLO / ITEM CHOICE**

E' importante consultare prima la scheda tecnica relativa  
It's important to consult before the technical detail

art. **F6DP**  
mensola / shelf da / from **80 a / to 250 cm**

➔➔ **3**

**SCELTA MATERIALE / MATERIAL SELECTION**

**PIETRALUCE** lucida / glossy

- bianco - white
- grigio - grey
- beige - beige
- blu ultram. - marine blue

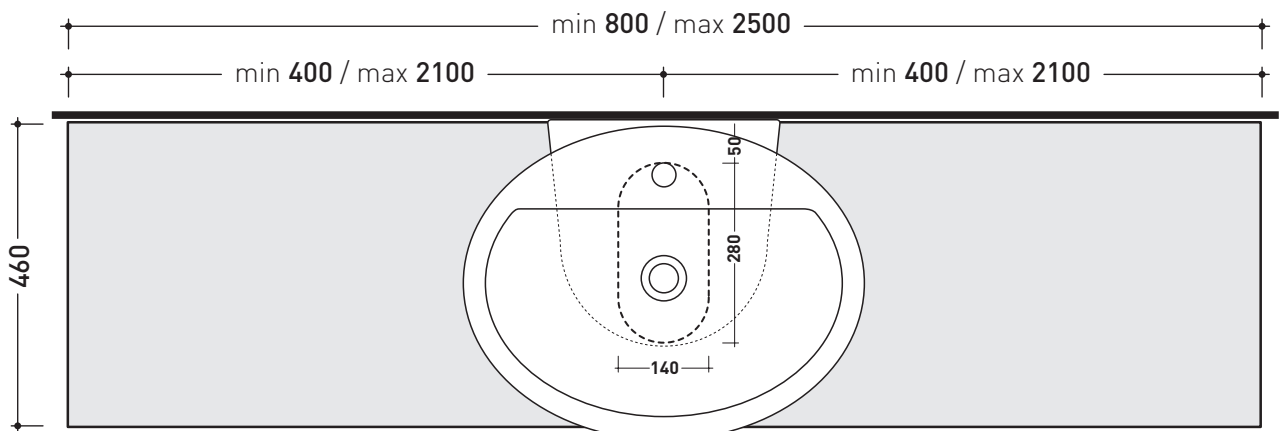
- sabbia - sand
- nero - black
- rosso cuoio - red

**PIETRALUCE** opaco / mat

- argilla - argilla
- latte - milky white
- gr. lava - lava grey
- grafite - graphite

➔➔ **4**

**SCELTA MISURE / MEASURES**

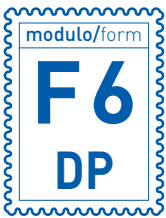


lavabo / basin  
DP481 - DP482

A =  mm      B =  mm

C =  mm

• **A** = misura interasse lavabo da sinistra / left distance of basin.      • **C** = misura totale della mensola / total length of the shelf.  
• **B** = misura interasse lavabo da destra / right distance of basin.      • verificare sempre che / verify that: **A + B = C.**



MODULO PER LA REALIZZAZIONE DELLE MENSOLE **FORTY6** A MISURA PER DOPPIO ART. **DP481 / DP482**

**FORTY6** CUSTOMIZED SHELVES FOR DOUBLE ART. **DP481 / DP482** FORM



**E' obbligatorio fotocopiare questa pagina, compilarla con cura e allegarla all'ordine.**  
It is compulsory to photocopy this page, carefully fill in and attach to the order.

➔➔ **1**

**DETTAGLI ORDINE / ORDER DETAILS**

ordinante - buyer		cliente - client	
ordine - order n:	data - date:	ref.:	
annotazioni - notes			

➔➔ **2**

**SCELTA ARTICOLO / ITEM CHOICE**

E' importante consultare prima la scheda tecnica relativa  
It's important to consult before the technical detail

art. **F6DP**  
mensola / shelf da / from 172 a / to 250 cm

➔➔ **3**

**SCELTA MATERIALE / MATERIAL SELECTION**

**PIETRALUCE** lucida / glossy

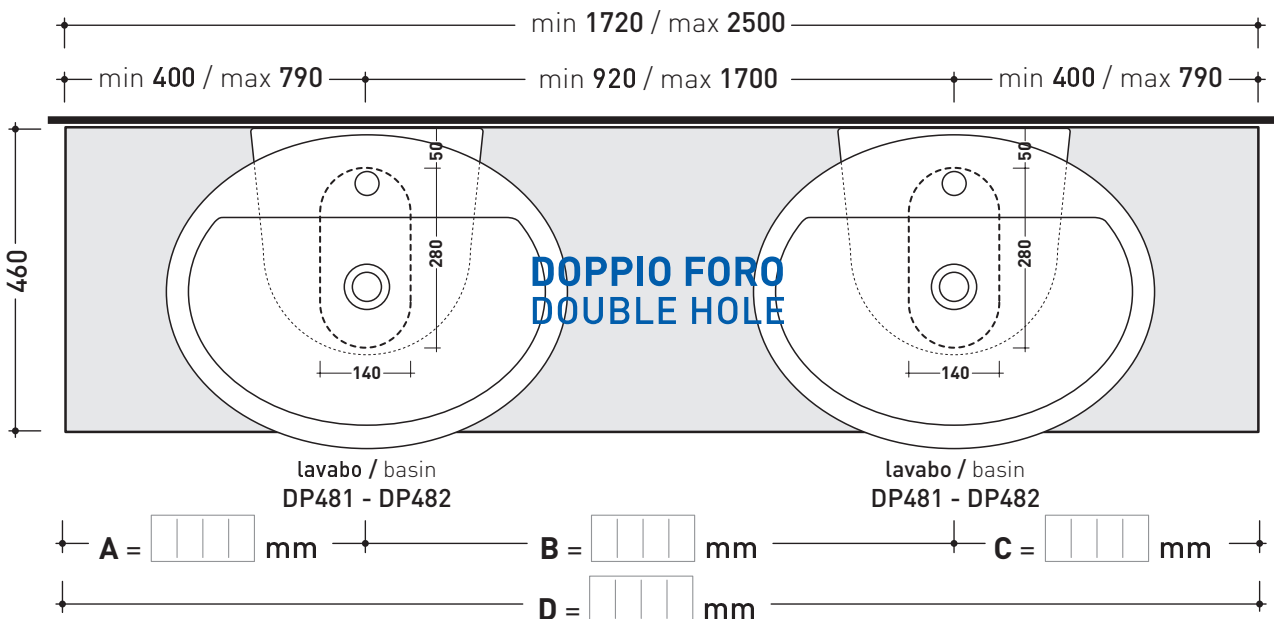
- |  |  |
|--|--|
| <input type="checkbox"/> bianco - white            | <input type="checkbox"/> sabbia - sand     |
| <input type="checkbox"/> grigio - grey             | <input type="checkbox"/> nero - black      |
| <input type="checkbox"/> beige - beige             | <input type="checkbox"/> rosso cuoio - red |
| <input type="checkbox"/> blu ultram. - marine blue |  |

**PIETRALUCE** opaco / mat

- |  |   |
|--|---|
| <input type="checkbox"/> argilla - argilla   | <input type="checkbox"/> gr. lava - lava grey |
| <input type="checkbox"/> latte - milky white | <input type="checkbox"/> grafite - graphite   |

➔➔ **4**

**SCELTA MISURE / MEASURES**



- A = misura interasse lavabo da sinistra / left distance of basin.
- B = misura interasse lavabi / distance between basins.
- C = misura interasse lavabo da destra / right distance of basin.

- D = misura totale della mensola / total length of the shelf.
- verificare sempre che / verify that: **A + B + C = D.**

## F6FNT suitable for Fonte (FN50L - FT52L)

Shelf from 80 to 250 x 46 x h 10 cm suitable for Fonte basins  
(fixing brackets included)

Complements: **Make-Up mirrors and lamps**

App mirros

Simple mirros

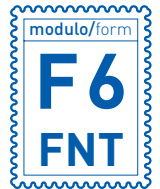
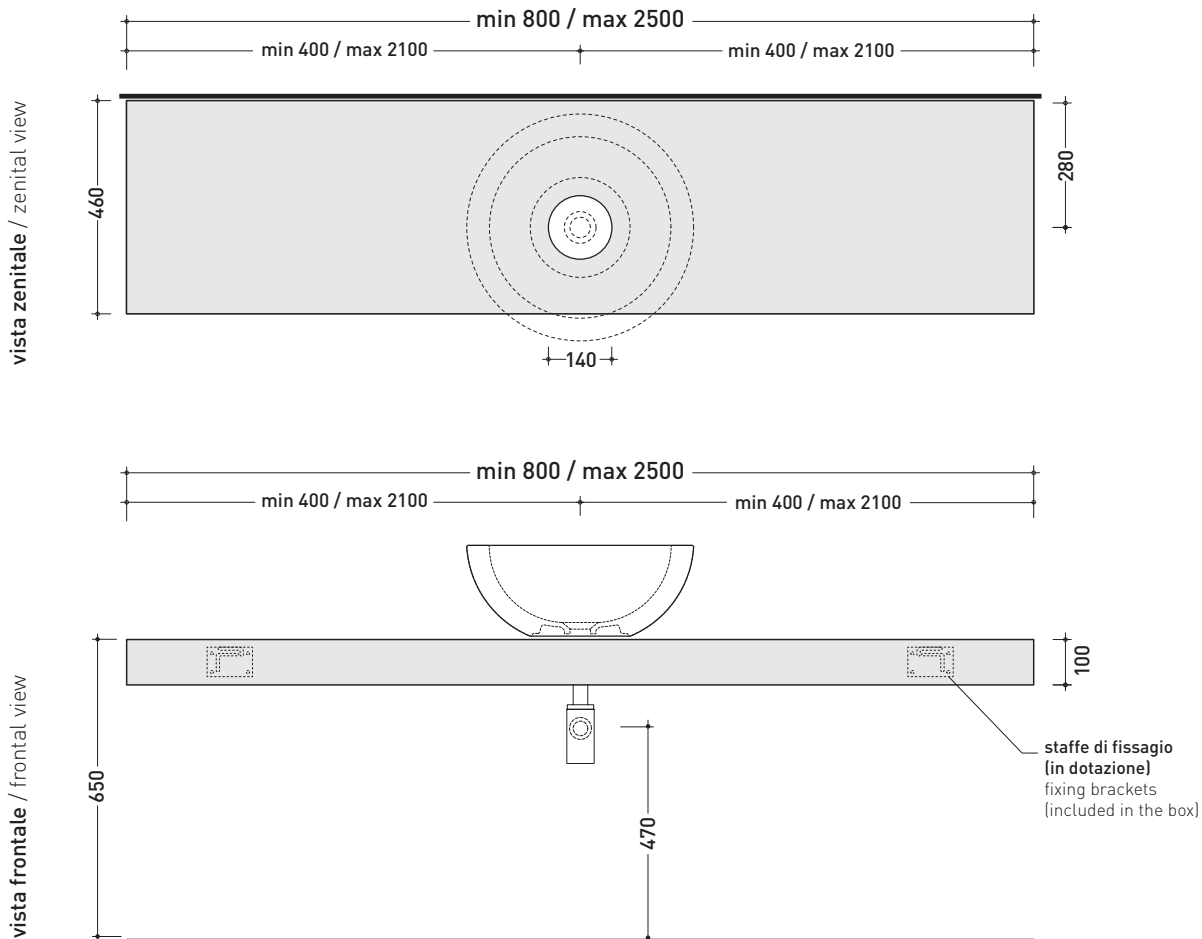
Hot/Cold mirror (SPHC)

Left/Right mirror (SPLR)

Line mirrors (BASC20 - BASC30 - BASC40)



Tap holes are not made on this article by Flaminia



REFERENCE TO  
THE COMPULSORY  
ORDER FORM

sizes in mm

PIETRALUCE: glossy finish



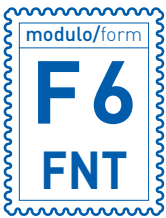
white black marine blue red beige sand grey

matt finish



milky white graphite lava grey argilla





MODULO PER LA REALIZZAZIONE DELLE MENSOLE **FORTY6** A MISURA PER ART. **FN50L / FT52L**  
**FORTY6** CUSTOMIZED SHELVES FOR ART. **FN50L / FT52L** FORM



**E' obbligatorio fotocopiare questa pagina, compilarla con cura e allegarla all'ordine.**  
 It is compulsory to photocopy this page, carefully fill in and attach to the order.

➔➔ **1**

**DETTAGLI ORDINE / ORDER DETAILS**

ordinante - buyer		cliente - client	
ordine - order n:	data - date:	ref.:	
annotazioni - notes			

➔➔ **2**

**SCELTA ARTICOLO / ITEM CHOICE**

E' importante consultare prima la scheda tecnica relativa  
 It's important to consult before the technical detail

art. **F6FNT**  
 mensola / shelf da / from **80 a / to 250 cm**

➔➔ **3**

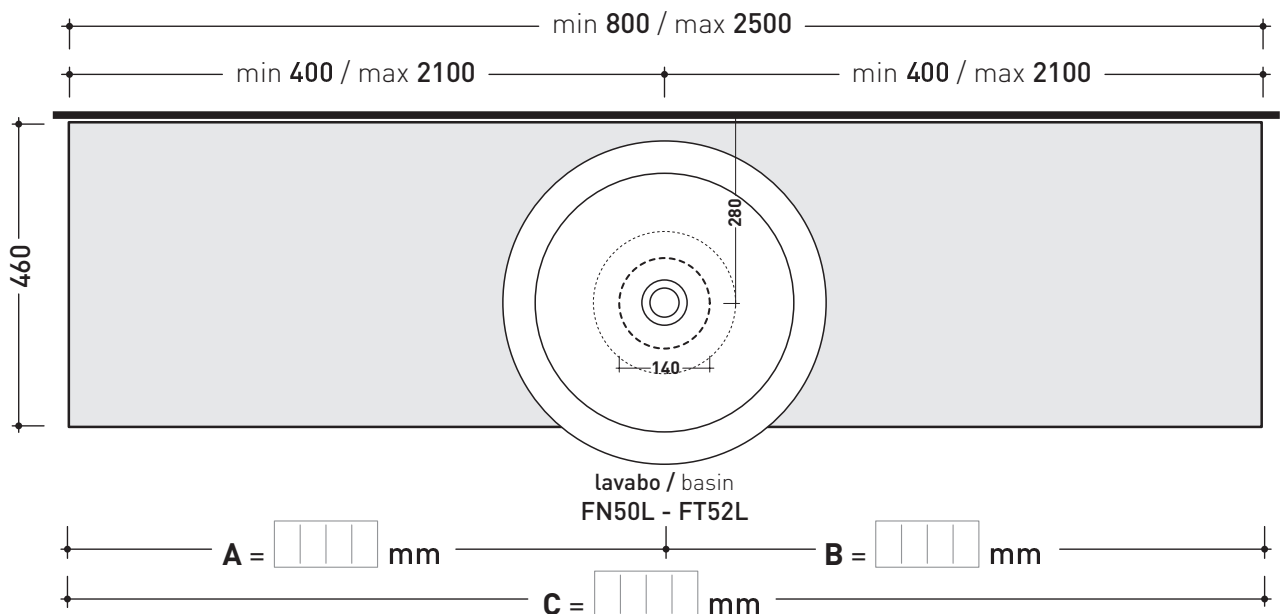
**SCELTA MATERIALE / MATERIAL SELECTION**

<b>PIETRALUCE</b> lucida / glossy		<b>PIETRALUCE</b> opaco / mat	
<input type="checkbox"/> bianco - white	<input type="checkbox"/> sabbia - sand	<input type="checkbox"/> argilla - argilla	<input type="checkbox"/> gr. lava - lava grey
<input type="checkbox"/> grigio - grey	<input type="checkbox"/> nero - black	<input type="checkbox"/> latte - milky white	<input type="checkbox"/> grafite - graphite
<input type="checkbox"/> beige - beige	<input type="checkbox"/> rosso cuoio - red		
<input type="checkbox"/> blu ultram. - marine blue			

➔➔ **4**

**SCELTA MISURE / MEASURES**

➔ **FLAMINIA.**



• **A** = misura interasse lavabo da sinistra / left distance of basin.      • **C** = misura totale della mensola / total length of the shelf.  
 • **B** = misura interasse lavabo da destra / right distance of basin.      • verificare sempre che / verify that: **A + B = C.**



MODULO PER LA REALIZZAZIONE DELLE MENSOLE **FORTY6** A MISURA PER DOPPIO ART. **FN50L / FT52L**

**FORTY6** CUSTOMIZED SHELVES FOR DOUBLE ART. **FN50L / FT52L** FORM



**E' obbligatorio fotocopiare questa pagina, compilarla con cura e allegarla all'ordine.**  
It is compulsory to photocopy this page, carefully fill in and attach to the order.

➔➔ **1**

**DETTAGLI ORDINE / ORDER DETAILS**

ordinante - buyer		cliente - client	
ordine - order n:	data - date:	ref.:	
annotazioni - notes			

➔➔ **2**

**SCELTA ARTICOLO / ITEM CHOICE**

E' importante consultare prima la scheda tecnica relativa  
It's important to consult before the technical detail

art. **F6FNT**  
mensola / shelf da / from **150 a / to 250 cm**

➔➔ **3**

**SCELTA MATERIALE / MATERIAL SELECTION**

**PIETRALUCE** lucida / glossy

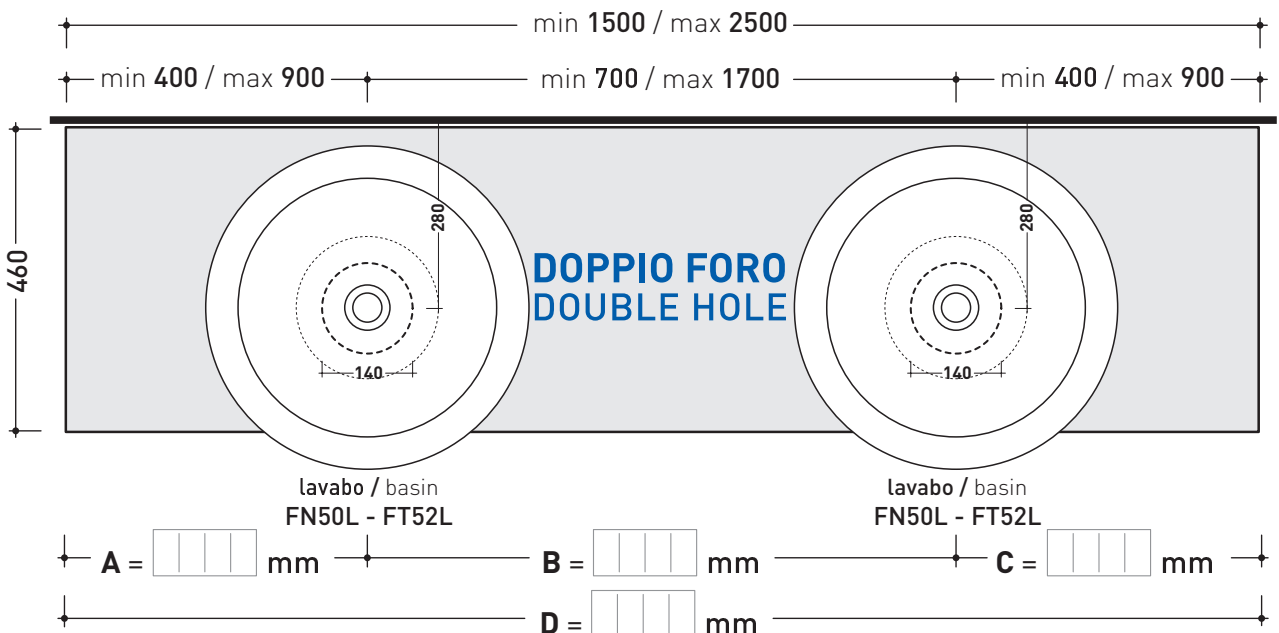
- |  |  |
|--|--|
| <input type="checkbox"/> bianco - white            | <input type="checkbox"/> sabbia - sand     |
| <input type="checkbox"/> grigio - grey             | <input type="checkbox"/> nero - black      |
| <input type="checkbox"/> beige - beige             | <input type="checkbox"/> rosso cuoio - red |
| <input type="checkbox"/> blu ultram. - marine blue |  |

**PIETRALUCE** opaco / mat

- |  |   |
|--|---|
| <input type="checkbox"/> argilla - argilla   | <input type="checkbox"/> gr. lava - lava grey |
| <input type="checkbox"/> latte - milky white | <input type="checkbox"/> grafite - graphite   |

➔➔ **4**

**SCELTA MISURE / MEASURES**



- **A** = misura interasse lavabo da sinistra / left distance of basin.
- **B** = misura interasse lavabi / distance between basins.
- **C** = misura interasse lavabo da destra / right distance of basin.

- **D** = misura totale della mensola / total length of the shelf.
- verificare sempre che / verify that: **A + B + C = D.**

design **FLAMINIA DESIGN TEAM**

2010

## F6MW suitable for Miniwash (MWL40/48/60/75 - MW60/75PR)

Shelf from 80 to 250 x 46 x h 10 cm suitable for countertop basins  
Miniwash (fixing brackets included)

Complements: **Make-Up mirrors and lamps**

App mirros

Simple mirros

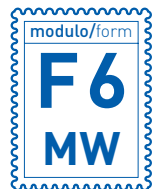
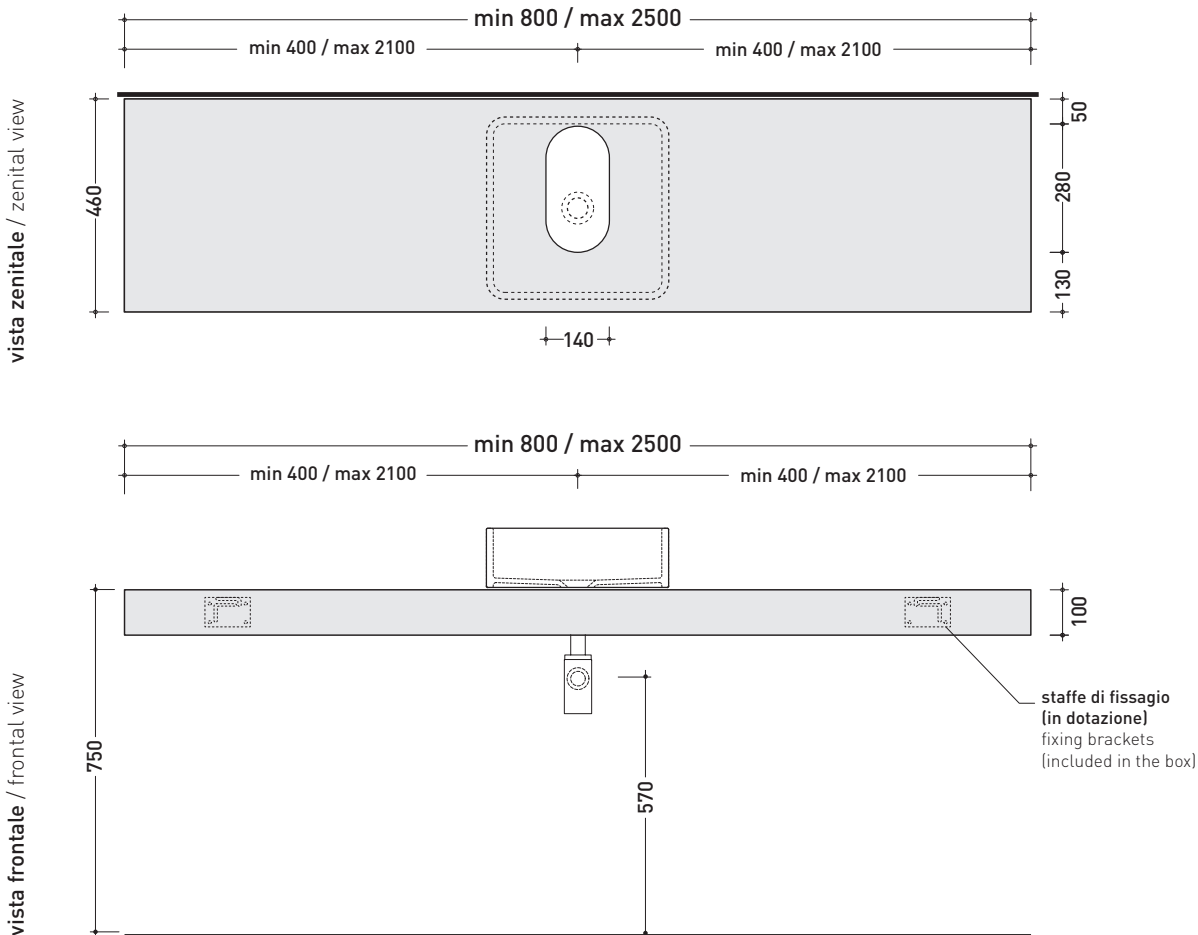
Hot/Cold mirror (SPHC)

Left/Right mirror (SPLR)

Line mirrors (BASC20 - BASC30 - BASC40)



Tap holes are not made on this article by Flaminia



REFERENCE TO  
THE COMPULSORY  
ORDER FORM

sizes in mm

PIETRALUCE: glossy finish



white black marine blue red beige sand grey

matt finish



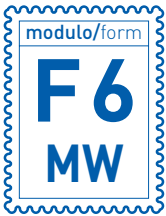
milky white graphite lava grey argilla

<http://www.ceramicaflaminia.it/en/products/291-forty6>

©ceramicaflaminiaspa - All rights reserved. Unauthorized copying, publication, reproduction as well as partial reproduction are prohibited


april 2019





MODULO PER LA REALIZZAZIONE DELLE MENSOLE **FORTY6** A MISURA PER ART. **MWL40-48-60-75 / MW60-75PR**

**FORTY6** CUSTOMIZED SHELVES FOR ART. **MWL40-48-60-75 / MW60-75PR** FORM

 **E' obbligatorio fotocopiare questa pagina, compilarla con cura e allegarla all'ordine.**  
It is compulsory to photocopy this page, carefully fill in and attach to the order.

➔➔ **1** DETTAGLI ORDINE / ORDER DETAILS

ordinante - buyer \_\_\_\_\_ cliente - client \_\_\_\_\_

ordine - order n: \_\_\_\_\_ data - date: \_\_\_\_\_ ref.: \_\_\_\_\_

annotazioni - notes \_\_\_\_\_

➔➔ **2** SCELTA ARTICOLO / ITEM CHOICE

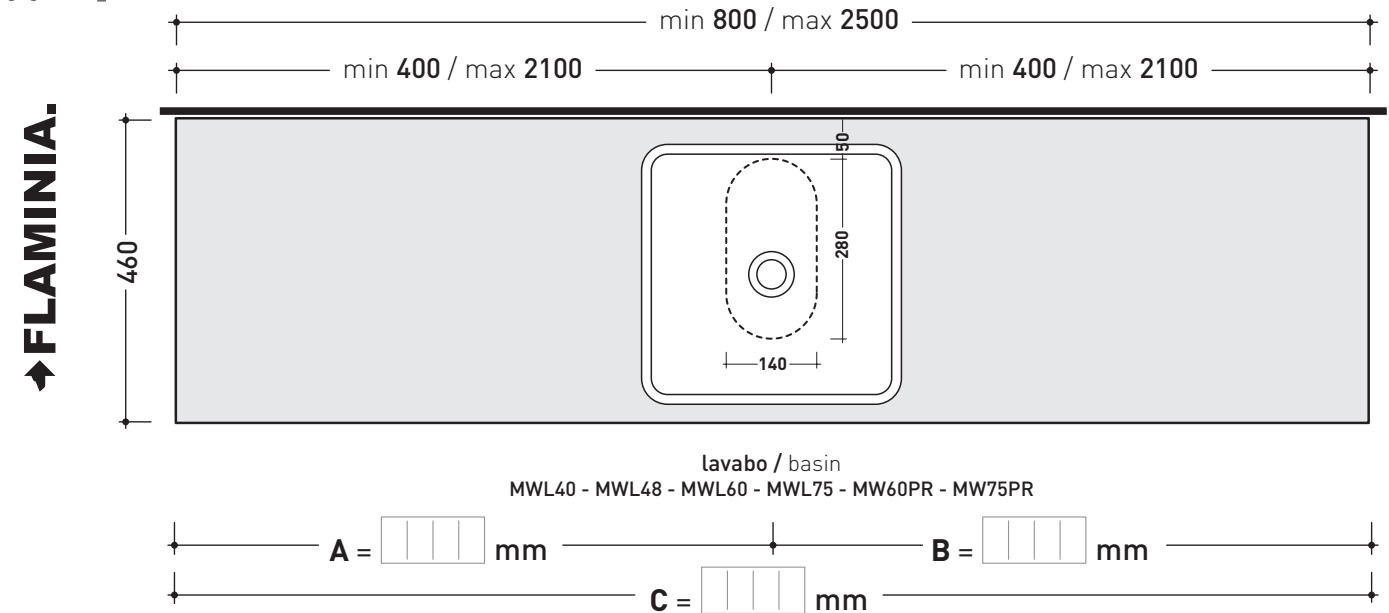
E' importante consultare prima la scheda tecnica relativa  
It's important to consult before the technical detail

**art. F6MW**  
mensola / shelf da / from 80 a / to 250 cm

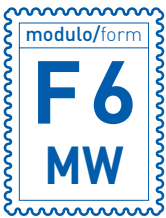
➔➔ **3** SCELTA MATERIALE / MATERIAL SELECTION

<b>PIETRALUCE</b> lucida / glossy		<b>PIETRALUCE</b> opaco / mat	
<input type="checkbox"/> bianco - white	<input type="checkbox"/> sabbia - sand	<input type="checkbox"/> argilla - argilla	<input type="checkbox"/> gr. lava - lava grey
<input type="checkbox"/> grigio - grey	<input type="checkbox"/> nero - black	<input type="checkbox"/> latte - milky white	<input type="checkbox"/> grafite - graphite
<input type="checkbox"/> beige - beige	<input type="checkbox"/> rosso cuoio - red		
<input type="checkbox"/> blu ultram. - marine blue			


➔➔ **4** SCELTA MISURE / MEASURES



• **A** = misura interasse lavabo da sinistra / left distance of basin. • **C** = misura totale della mensola / total length of the shelf.  
• **B** = misura interasse lavabo da destra / right distance of basin. • verificare sempre che / verify that: **A + B = C**.



MODULO PER LA REALIZZAZIONE DELLE MENSOLE **FORTY6** A MISURA PER DOPPIO ART. **MWL40-48-60-75 / MW60-75PR**  
**FORTY6** CUSTOMIZED SHELVES FOR DOUBLE ART. **MWL40-48-60-75 / MW60-75PR** FORM

 **E' obbligatorio fotocopiare questa pagina, compilarla con cura e allegarla all'ordine.**  
 It is compulsory to photocopy this page, carefully fill in and attach to the order.

➔➔ **1** DETTAGLI ORDINE / ORDER DETAILS

ordinante - buyer		cliente - client	
ordine - order n:	data - date:	ref.:	
annotazioni - notes			

➔➔ **2** SCELTA ARTICOLO / ITEM CHOICE

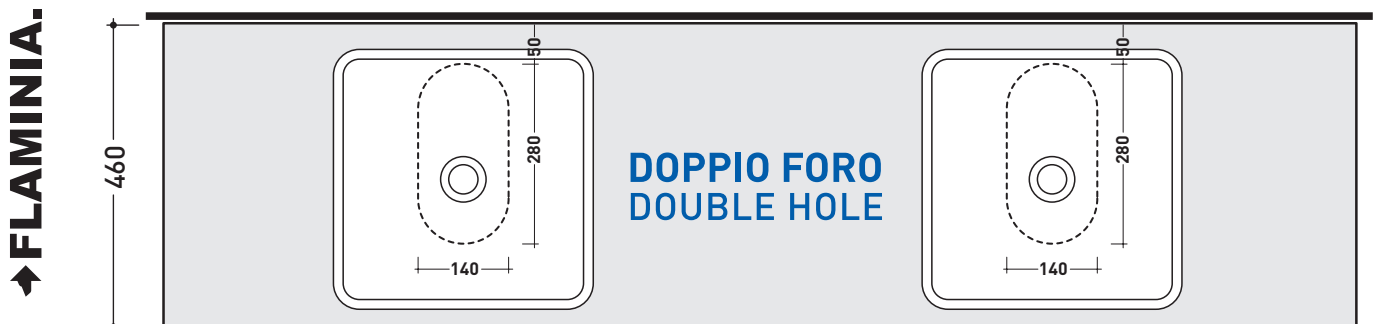
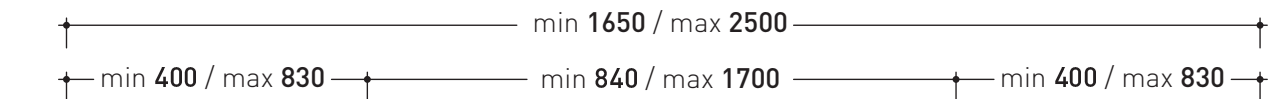
E' importante consultare prima la scheda tecnica relativa  
 It's important to consult before the technical detail

**art. F6MW**  
 mensola / shelf da / from 165 a / to 250 cm

➔➔ **3** SCELTA MATERIALE / MATERIAL SELECTION

PIETRALUCE lucida / glossy		PIETRALUCE opaco / mat	
<input type="checkbox"/> bianco - white	<input type="checkbox"/> sabbia - sand	<input type="checkbox"/> argilla - argilla	<input type="checkbox"/> gr. lava - lava grey
<input type="checkbox"/> grigio - grey	<input type="checkbox"/> nero - black	<input type="checkbox"/> latte - milky white	<input type="checkbox"/> grafite - graphite
<input type="checkbox"/> beige - beige	<input type="checkbox"/> rosso cuoio - red		
<input type="checkbox"/> blu ultram. - marine blue			

➔➔ **4** SCELTA MISURE / MEASURES



lavabo / basin MWL40 - MWL48 - MWL60 - MWL75 - MW60PR - MW75PR      lavabo / basin MWL40 - MWL48 - MWL60 - MWL75 - MW60PR - MW75PR

A =  mm      B =  mm      C =  mm

D =  mm

- A = misura interasse lavabo da sinistra / left distance of basin.
- B = misura interasse lavabi / distance between basins.
- C = misura interasse lavabo da destra / right distance of basin.
- D = misura totale della mensola / total length of the shelf.
- verificare sempre che / verify that: **A + B + C = D.**

## F6MN64 suitable for Monò 64 (MN64L)

Shelf from 90 to 250 x 46 x h 10 cm suitable for Monò 64 basin  
(fixing brackets included)

Complements: **Make-Up mirrors and lamps**

App mirros

Simple mirros

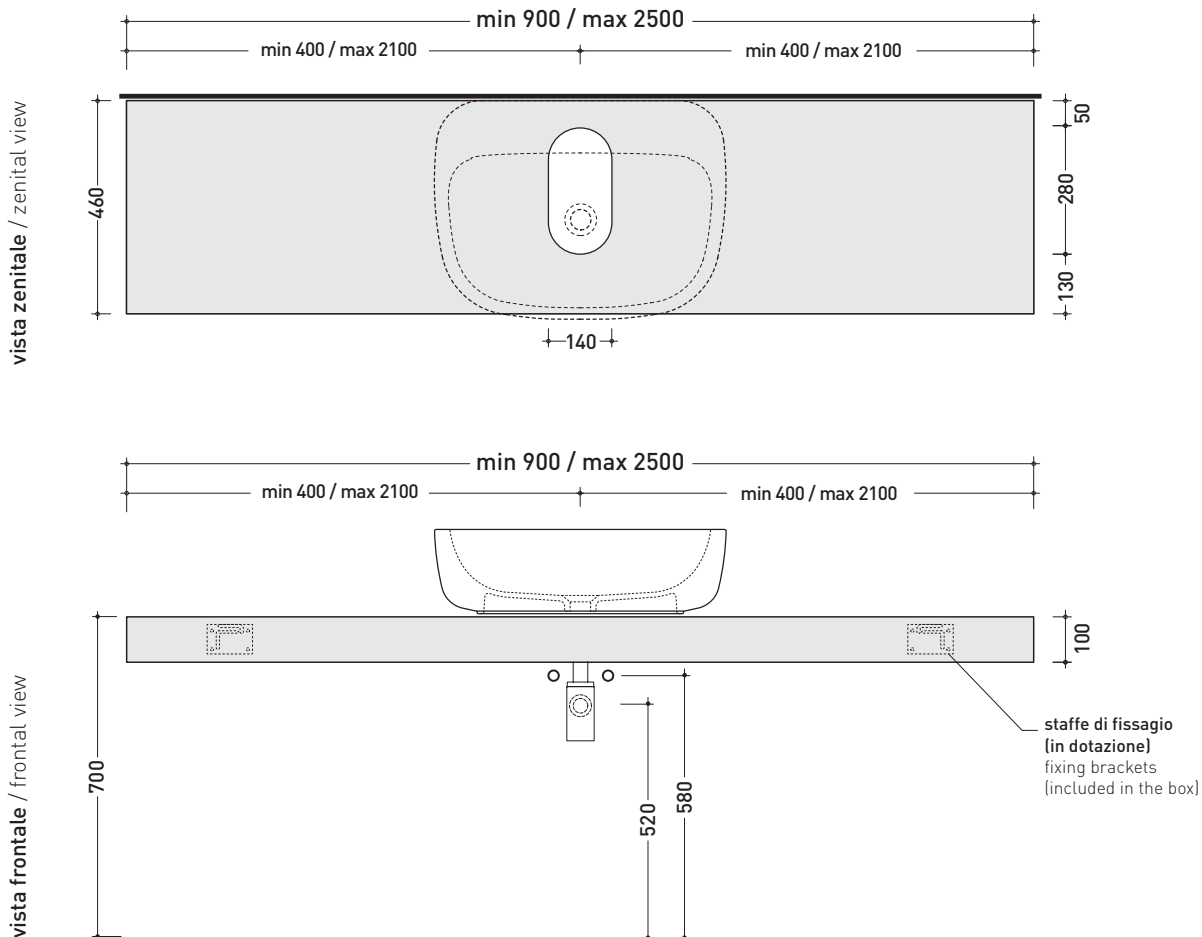
Hot/Cold mirror (SPHC)

Left/Right mirror (SPLR)

Line mirrors (BASC20 - BASC30 - BASC40)



Tap holes are not made on this article by Flaminia



REFERENCE TO  
THE COMPULSORY  
ORDER FORM

sizes in mm

PIETRALUCE: glossy finish



white black marine blue red beige sand grey

matt finish



milky white graphite lava grey argilla



## MODULO PER LA REALIZZAZIONE DELLE MENSOLE **FORTY6** A MISURA PER ART. **MN64L** FORTY6 CUSTOMIZED SHELVES FOR ART. **MN64L** FORM

**E' obbligatorio fotocopiare questa pagina, compilarla con cura e allegarla all'ordine.**  
It is compulsory to photocopy this page, carefully fill in and attach to the order.

### » 1 DETTAGLI ORDINE / ORDER DETAILS

ordinante - buyer cliente - client

---

ordine - order n: | | | | | | | | | | data - date: | | | | | | | | | | ref.: | | | | |

---

annotazioni - notes

### » 2 SCELTA ARTICOLO / ITEM CHOICE

E' importante consultare prima la scheda tecnica relativa  
It's important to consult before the technical detail

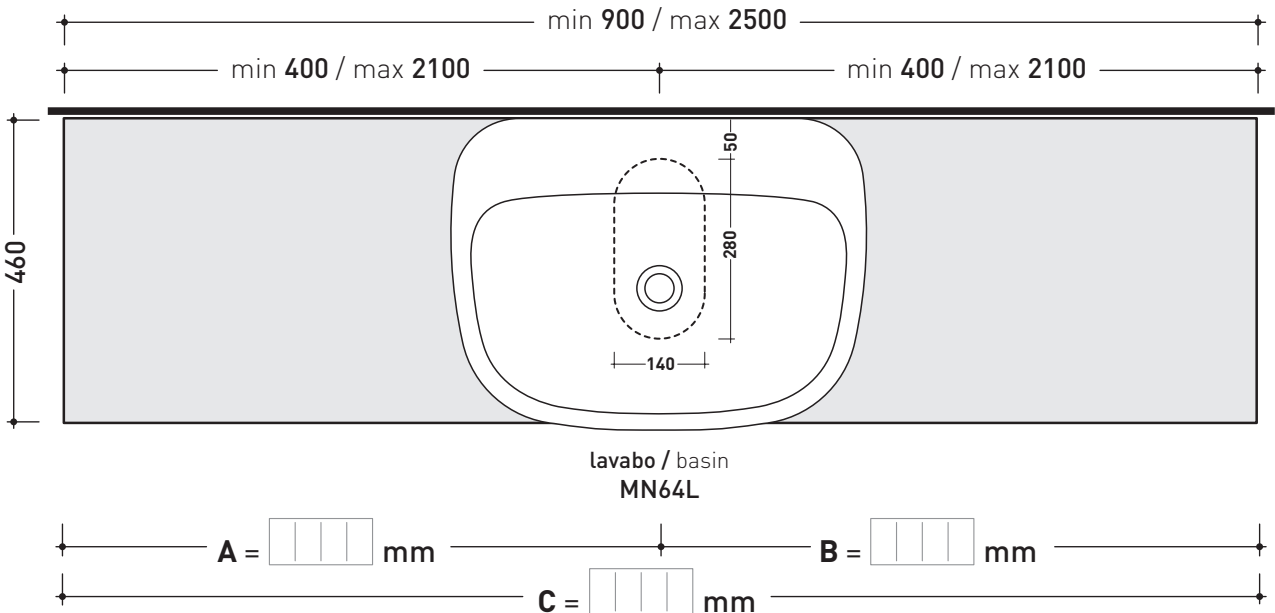
**art. F6MN64**  
mensola / shelf da / from 90 a / to 250 cm

### » 3 SCELTA MATERIALE / MATERIAL SELECTION

PIETRALUCE lucida / glossy		PIETRALUCE opaco / mat	
<input type="checkbox"/> bianco - white	<input type="checkbox"/> sabbia - sand	<input type="checkbox"/> argilla - argilla	<input type="checkbox"/> gr. lava - lava grey
<input type="checkbox"/> grigio - grey	<input type="checkbox"/> nero - black	<input type="checkbox"/> latte - milky white	<input type="checkbox"/> grafite - graphite
<input type="checkbox"/> beige - beige	<input type="checkbox"/> rosso cuoio - red		
<input type="checkbox"/> blu ultram. - marine blue			

### » 4 SCELTA MISURE / MEASURES


→ FLAMINIA



- **A** = misura interasse lavabo da sinistra / left distance of basin.
- **B** = misura interasse lavabo da destra / right distance of basin.
- **C** = misura totale della mensola / total length of the shelf.
- verificare sempre che / verify that: **A + B = C.**



MODULO PER LA REALIZZAZIONE DELLE MENSOLE **FORTY6** A MISURA PER DOPPIO ART. **MN64L**  
**FORTY6 CUSTOMIZED SHELVES FOR DOUBLE ART. MN64L FORM**

 **E' obbligatorio fotocopiare questa pagina, compilarla con cura e allegarla all'ordine.**  
 It is compulsory to photocopy this page, carefully fill in and attach to the order.

➔➔ **1** DETTAGLI ORDINE / ORDER DETAILS

ordinante - buyer \_\_\_\_\_ cliente - client \_\_\_\_\_

ordine - order n: \_\_\_\_\_ data - date: \_\_\_\_\_ ref.: \_\_\_\_\_

annotazioni - notes \_\_\_\_\_

➔➔ **2** SCELTA ARTICOLO / ITEM CHOICE

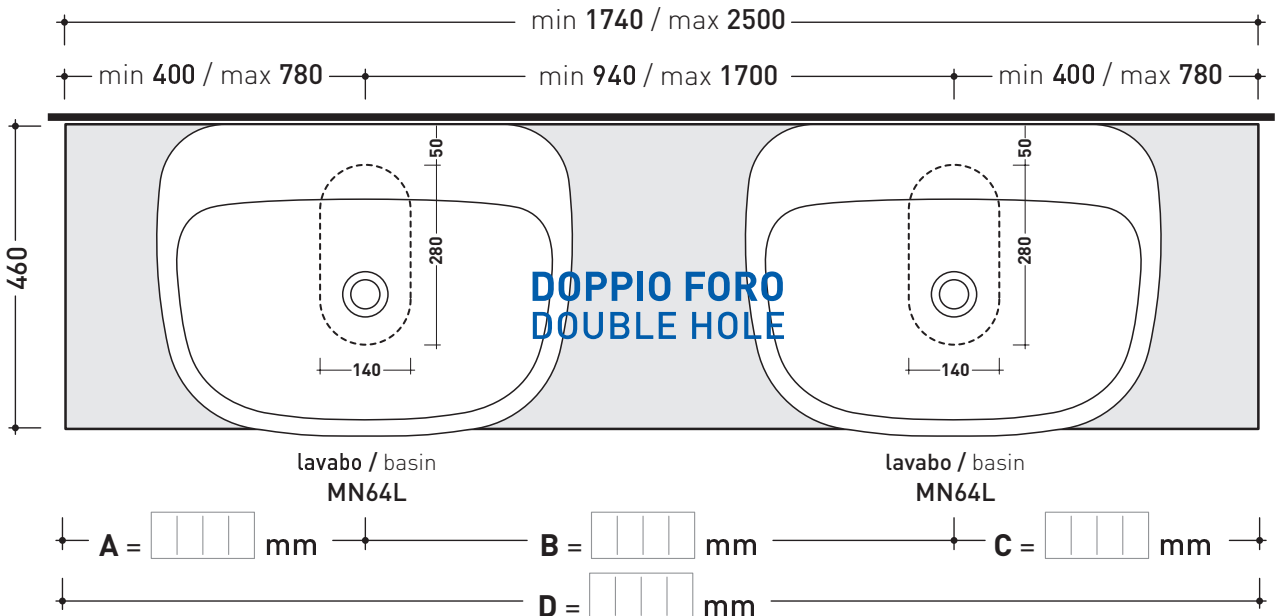
E' importante consultare prima la scheda tecnica relativa  
 It's important to consult before the technical detail

art. **F6MN64**  
 mensola / shelf da / from 178 a / to 250 cm

➔➔ **3** SCELTA MATERIALE / MATERIAL SELECTION

PIETRALUCE lucida / glossy		PIETRALUCE opaco / mat	
<input type="checkbox"/> bianco - white	<input type="checkbox"/> sabbia - sand	<input type="checkbox"/> argilla - argilla	<input type="checkbox"/> gr. lava - lava grey
<input type="checkbox"/> grigio - grey	<input type="checkbox"/> nero - black	<input type="checkbox"/> latte - milky white	<input type="checkbox"/> grafite - graphite
<input type="checkbox"/> beige - beige	<input type="checkbox"/> rosso cuoio - red		
<input type="checkbox"/> blu ultram. - marine blue			

➔➔ **4** SCELTA MISURE / MEASURES



- A = misura interasse lavabo da sinistra / left distance of basin.
- B = misura interasse lavabi / distance between basins.
- C = misura interasse lavabo da destra / right distance of basin.

- D = misura totale della mensola / total length of the shelf.
- verificare sempre che / verify that: **A + B + C = D.**



design **FLAMINIA DESIGN TEAM**

2010

## F6MN74 suitable for Monò 74 (MN74L)

Shelf from 100 to 250 x 46 h10 cm suitable for Monò 74 basin  
(fixing brackets included)

Complements: **Make-Up mirrors and lamps**

App mirros

Simple mirros

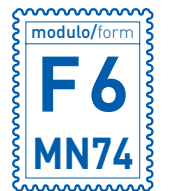
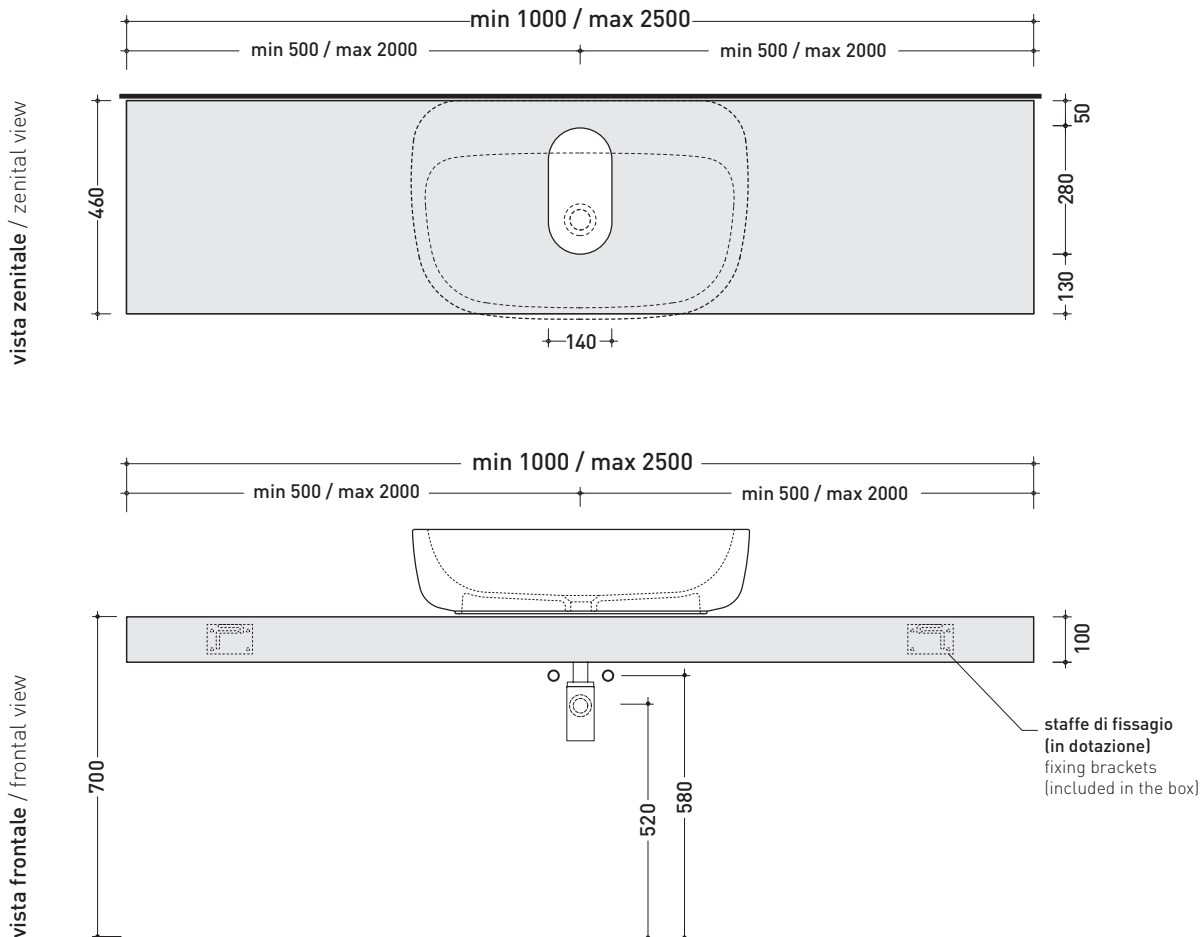
Hot/Cold mirror (SPHC)

Left/Right mirror (SPLR)

Line mirrors (BASC20 - BASC30 - BASC40)



Tap holes are not made on this article by Flaminia



REFERENCE TO  
THE COMPULSORY  
ORDER FORM

sizes in mm

PIETRALUCE: glossy finish



white black marine blue red beige sand grey

matt finish



milky white graphite lava grey argilla

<http://www.ceramicaflaminia.it/en/products/291-forty6>

©ceramicaflaminiaspa - All rights reserved. Unauthorized copying, publication, reproduction as well as partial reproduction are prohibited

april 2019





MODULO PER LA REALIZZAZIONE DELLE MENSOLE **FORTY6** A MISURA PER ART. **MN74L**  
**FORTY6** CUSTOMIZED SHELVES FOR ART. **MN74L** FORM

**E' obbligatorio fotocopiare questa pagina, compilarla con cura e allegarla all'ordine.**  
 It is compulsory to photocopy this page, carefully fill in and attach to the order.

➔➔ **1** DETTAGLI ORDINE / ORDER DETAILS

ordinante - buyer \_\_\_\_\_ cliente - client \_\_\_\_\_

ordine - order n: \_\_\_\_\_ data - date: \_\_\_\_\_ ref.: \_\_\_\_\_

annotazioni - notes \_\_\_\_\_

➔➔ **2** SCELTA ARTICOLO / ITEM CHOICE

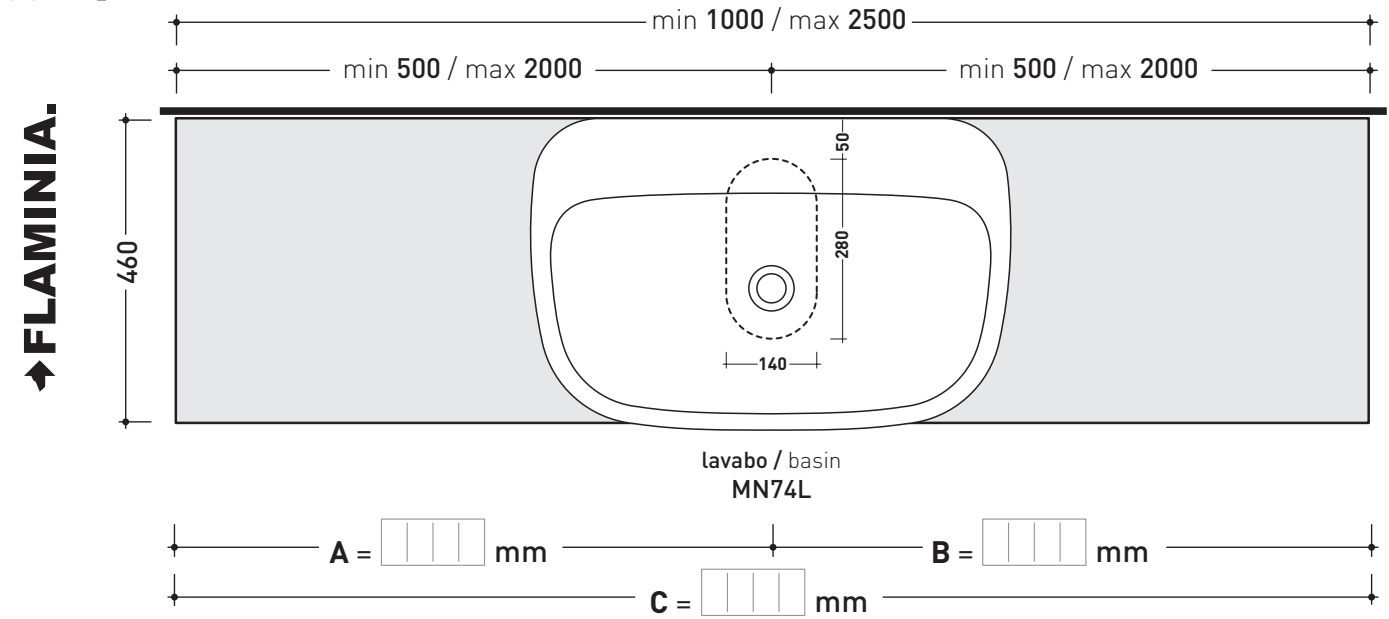
E' importante consultare prima la scheda tecnica relativa  
 It's important to consult before the technical detail

art. **F6MN74**  
 mensola / shelf da / from 100 a / to 250 cm

➔➔ **3** SCELTA MATERIALE / MATERIAL SELECTION

<b>PIETRALUCE</b> lucida / glossy		<b>PIETRALUCE</b> opaco / mat	
<input type="checkbox"/> bianco - white	<input type="checkbox"/> sabbia - sand	<input type="checkbox"/> argilla - argilla	<input type="checkbox"/> gr. lava - lava grey
<input type="checkbox"/> grigio - grey	<input type="checkbox"/> nero - black	<input type="checkbox"/> latte - milky white	<input type="checkbox"/> grafite - graphite
<input type="checkbox"/> beige - beige	<input type="checkbox"/> rosso cuoio - red		
<input type="checkbox"/> blu ultram. - marine blue			


➔➔ **4** SCELTA MISURE / MEASURES



• **A** = misura interasse lavabo da sinistra / left distance of basin.      • **C** = misura totale della mensola / total length of the shelf.  
 • **B** = misura interasse lavabo da destra / right distance of basin.      • verificare sempre che / verify that: **A + B = C**.



MODULO PER LA REALIZZAZIONE DELLE MENSOLE **FORTY6** A MISURA PER DOPPIO ART. **MN74L**  
**FORTY6 CUSTOMIZED SHELVES FOR DOUBLE ART. MN74L FORM**

 **E' obbligatorio fotocopiare questa pagina, compilarla con cura e allegarla all'ordine.**  
 It is compulsory to photocopy this page, carefully fill in and attach to the order.

➔➔ **1** DETTAGLI ORDINE / ORDER DETAILS

ordinante - buyer \_\_\_\_\_ cliente - client \_\_\_\_\_

ordine - order n: \_\_\_\_\_ data - date: \_\_\_\_\_ ref.: \_\_\_\_\_

annotazioni - notes \_\_\_\_\_

➔➔ **2** SCELTA ARTICOLO / ITEM CHOICE

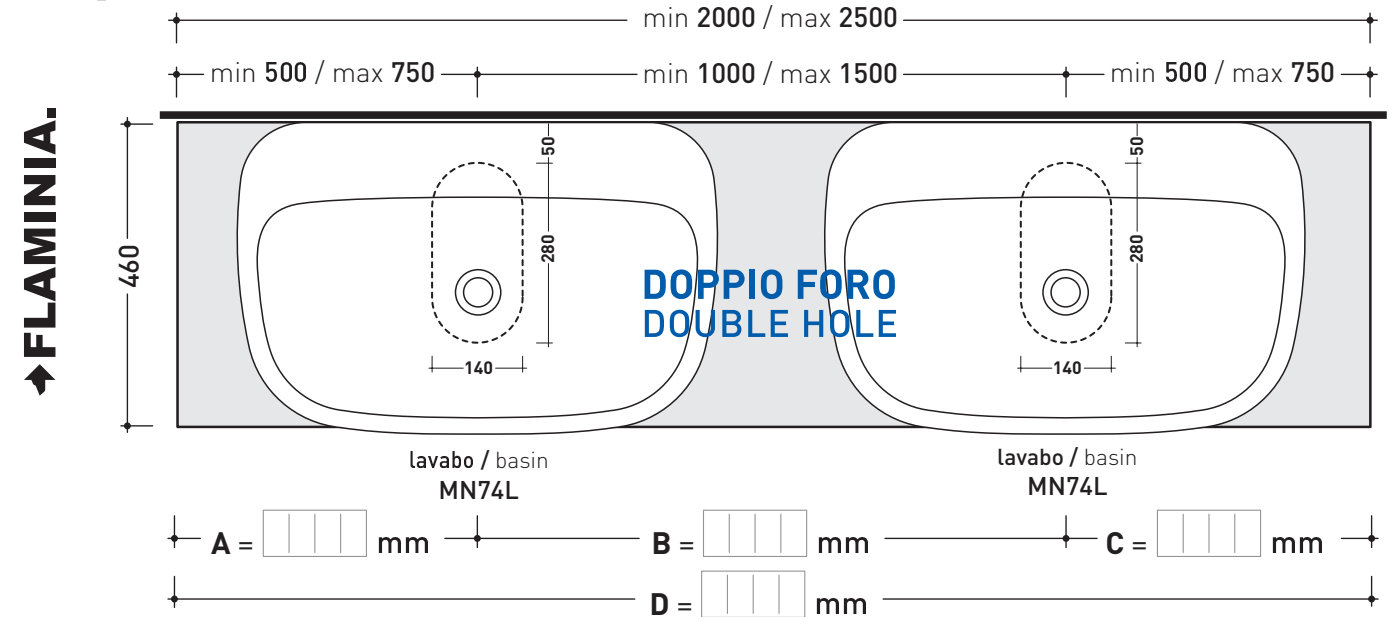
E' importante consultare prima la scheda tecnica relativa  
 It's important to consult before the technical detail

art. **F6MN74**  
 mensola / shelf da / from 200 a / to 250 cm

➔➔ **3** SCELTA MATERIALE / MATERIAL SELECTION

PIETRALUCE lucida / glossy		PIETRALUCE opaco / mat	
<input type="checkbox"/> bianco - white	<input type="checkbox"/> sabbia - sand	<input type="checkbox"/> argilla - argilla	<input type="checkbox"/> gr. lava - lava grey
<input type="checkbox"/> grigio - grey	<input type="checkbox"/> nero - black	<input type="checkbox"/> latte - milky white	<input type="checkbox"/> grafite - graphite
<input type="checkbox"/> beige - beige	<input type="checkbox"/> rosso cuoio - red		
<input type="checkbox"/> blu ultram. - marine blue			

➔➔ **4** SCELTA MISURE / MEASURES



- A = misura interasse lavabo da sinistra / left distance of basin.
- B = misura interasse lavabi / distance between basins.
- C = misura interasse lavabo da destra / right distance of basin.

- D = misura totale della mensola / total length of the shelf.
- verificare sempre che / verify that: **A + B + C = D.**

design **FLAMINIA DESIGN TEAM**

2010

## F6MN100 suitable for Monò 100 (MN100L)

Shelf from 120 to 250 x 46 x h 10 cm suitable for Monò 100 basin  
(fixing brackets included)

Complements: **Make-Up mirrors and lamps**

App mirros

Simple mirros

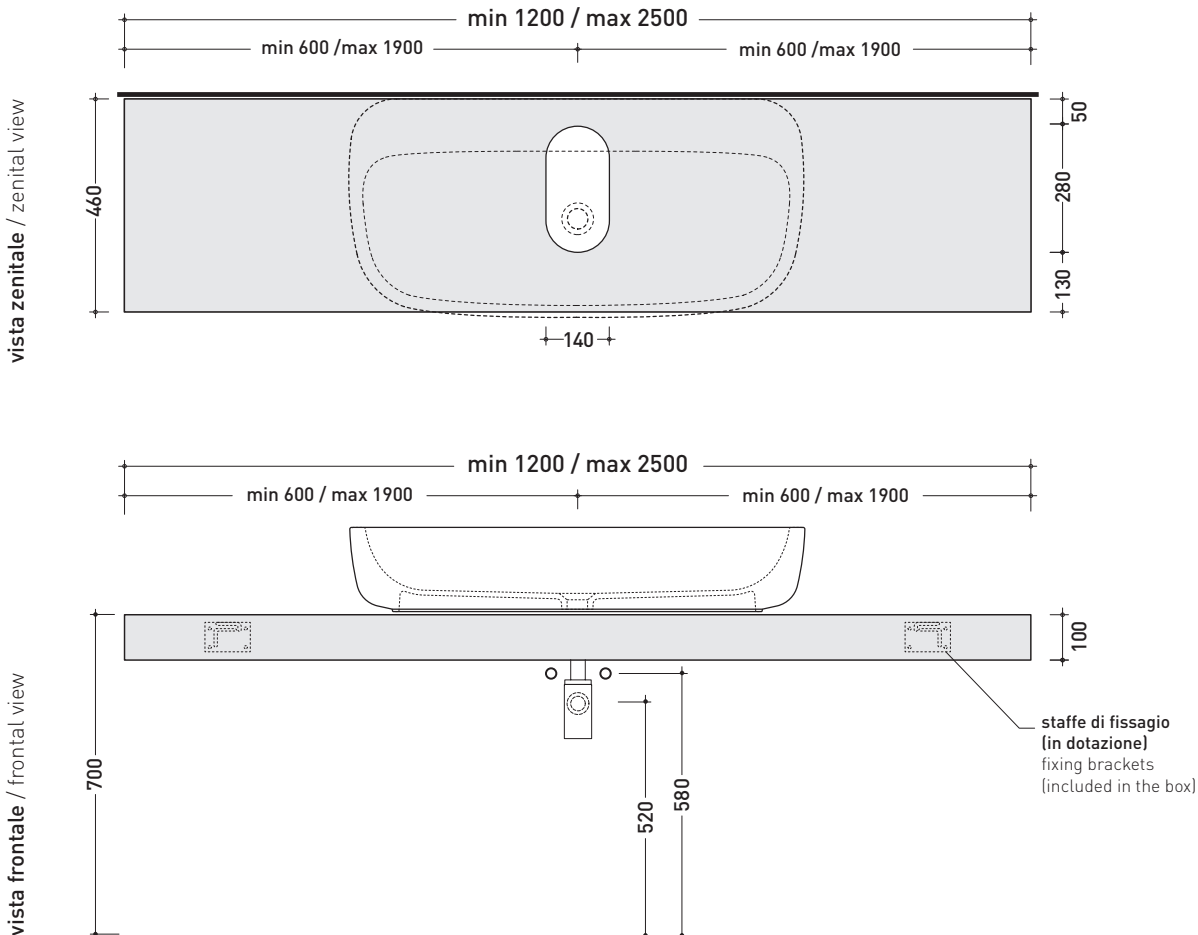
Hot/Cold mirror (SPHC)

Left/Right mirror (SPLR)

Line mirrors (BASC20 - BASC30 - BASC40)



Tap holes are not made on this article by Flaminia



REFERENCE TO  
THE COMPULSORY  
ORDER FORM

sizes in mm

PIETRALUCE: glossy finish



white black marine blue red beige sand grey

matt finish



milky white graphite lava grey argilla

<http://www.ceramicaflaminia.it/en/products/291-forty6>

©ceramicaflaminiaspa - All rights reserved. Unauthorized copying, publication, reproduction as well as partial reproduction are prohibited

april 2019





MODULO PER LA REALIZZAZIONE DELLE MENSOLE **FORTY6** A MISURA PER ART. **MN100L**

**FORTY6** CUSTOMIZED SHELVES FOR ART. **MN100L** FORM



**E' obbligatorio fotocopiare questa pagina, compilarla con cura e allegarla all'ordine.**  
It is compulsory to photocopy this page, carefully fill in and attach to the order.

➔➔ **1**

**DETTAGLI ORDINE / ORDER DETAILS**

ordinante - buyer cliente - client

ordine - order n: \_\_\_\_\_ data - date: \_\_\_\_\_ ref.: \_\_\_\_\_

annotazioni - notes \_\_\_\_\_

➔➔ **2**

**SCELTA ARTICOLO / ITEM CHOICE**

E' importante consultare prima la scheda tecnica relativa  
It's important to consult before the technical detail

art. **F6MN100**  
mensola / shelf da / from 120 a / to 250 cm

➔➔ **3**

**SCELTA MATERIALE / MATERIAL SELECTION**

**PIETRALUCE** lucida / glossy

- bianco - white
- grigio - grey
- beige - beige
- blu ultram. - marine blue

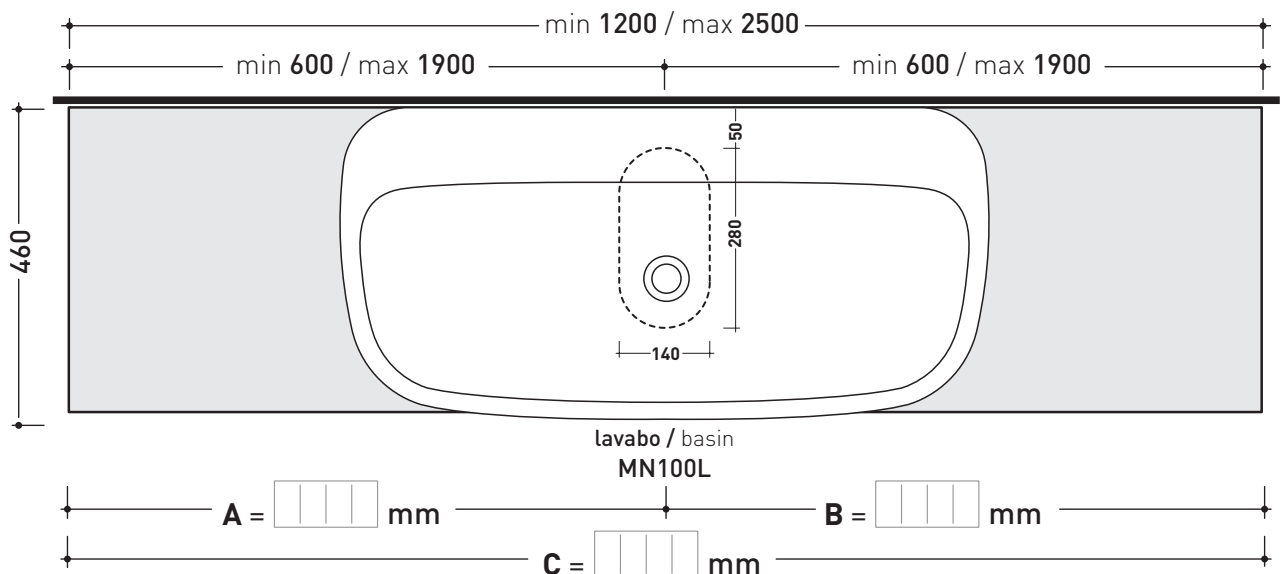
- sabbia - sand
- nero - black
- rosso cuoio - red

**PIETRALUCE** opaco / mat

- argilla - argilla
- latte - milky white
- gr. lava - lava grey
- grafite - graphite

➔➔ **4**

**SCELTA MISURE / MEASURES**



• **A** = misura interasse lavabo da sinistra / left distance of basin.      • **C** = misura totale della mensola / total length of the shelf.  
• **B** = misura interasse lavabo da destra / right distance of basin.      • verificare sempre che / verify that: **A + B = C**.



MODULO PER LA REALIZZAZIONE DELLE MENSOLE **FORTY6** PER DOPPIO ART. **MN100L**

**FORTY6** CUSTOMIZED SHELVES FOR DOUBLE ART. **MN100L** FORM



**E' obbligatorio fotocopiare questa pagina, compilarla con cura e allegarla all'ordine.**  
It is compulsory to photocopy this page, carefully fill in and attach to the order.

➔➔ **1**

**DETTAGLI ORDINE / ORDER DETAILS**

ordinante - buyer cliente - client

ordine - order n: \_\_\_\_\_ data - date: \_\_\_\_\_ ref.: \_\_\_\_\_

annotazioni - notes \_\_\_\_\_

➔➔ **2**

**SCELTA ARTICOLO / ITEM CHOICE**

E' importante consultare prima la scheda tecnica relativa  
It's important to consult before the technical detail

art. **F6MN100**  
mensola / shelf da / from 250 cm

➔➔ **3**

**SCELTA MATERIALE / MATERIAL SELECTION**

**PIETRALUCE** lucida / glossy

- |  |  |
|--|--|
| <input type="checkbox"/> bianco - white            | <input type="checkbox"/> sabbia - sand     |
| <input type="checkbox"/> grigio - grey             | <input type="checkbox"/> nero - black      |
| <input type="checkbox"/> beige - beige             | <input type="checkbox"/> rosso cuoio - red |
| <input type="checkbox"/> blu ultram. - marine blue |  |

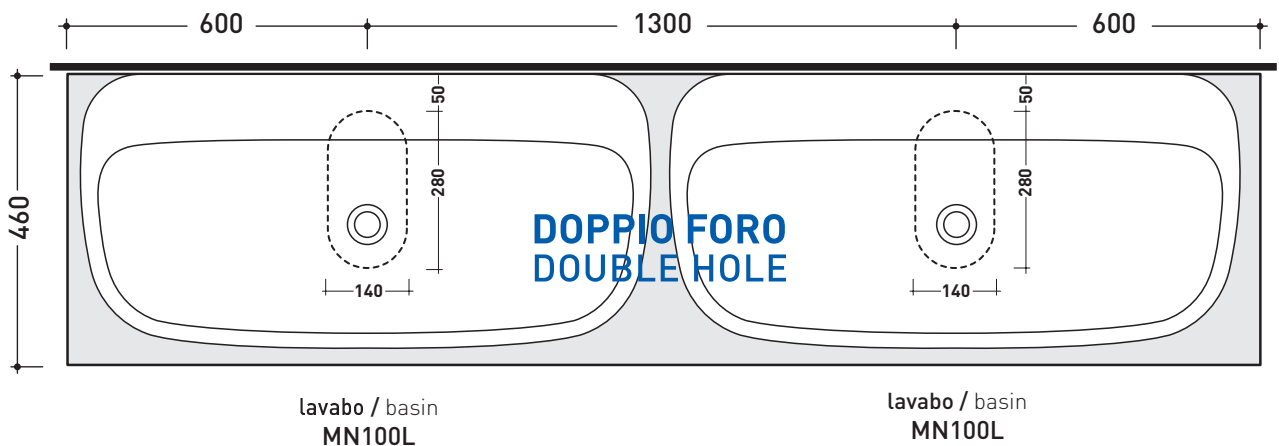
**PIETRALUCE** opaco / mat

- |  |   |
|--|---|
| <input type="checkbox"/> argilla - argilla   | <input type="checkbox"/> gr. lava - lava grey |
| <input type="checkbox"/> latte - milky white | <input type="checkbox"/> grafite - graphite   |

➔➔ **4**

**SCELTA MISURE / MEASURES**

**➔ FLAMINIA.**



D =  mm

- **A** = misura interasse lavabo da sinistra / left distance of basin.
- **B** = misura interasse lavabi / distance between basins.
- **C** = misura interasse lavabo da destra / right distance of basin.
- **D** = misura totale della mensola / total length of the shelf.
- verificare sempre che / verify that: **A + B + C = D.**

design **FLAMINIA DESIGN TEAM**

2010

## F6VL66 suitable for Volo 66 (VL66L)

Shelf from 90 to 250 x 46 x h 10 cm suitable for Volo 66 basin  
(fixing brackets included)

Complements: **Make-Up mirrors and lamps**

App mirros

Simple mirros

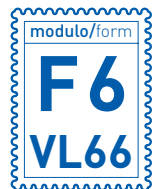
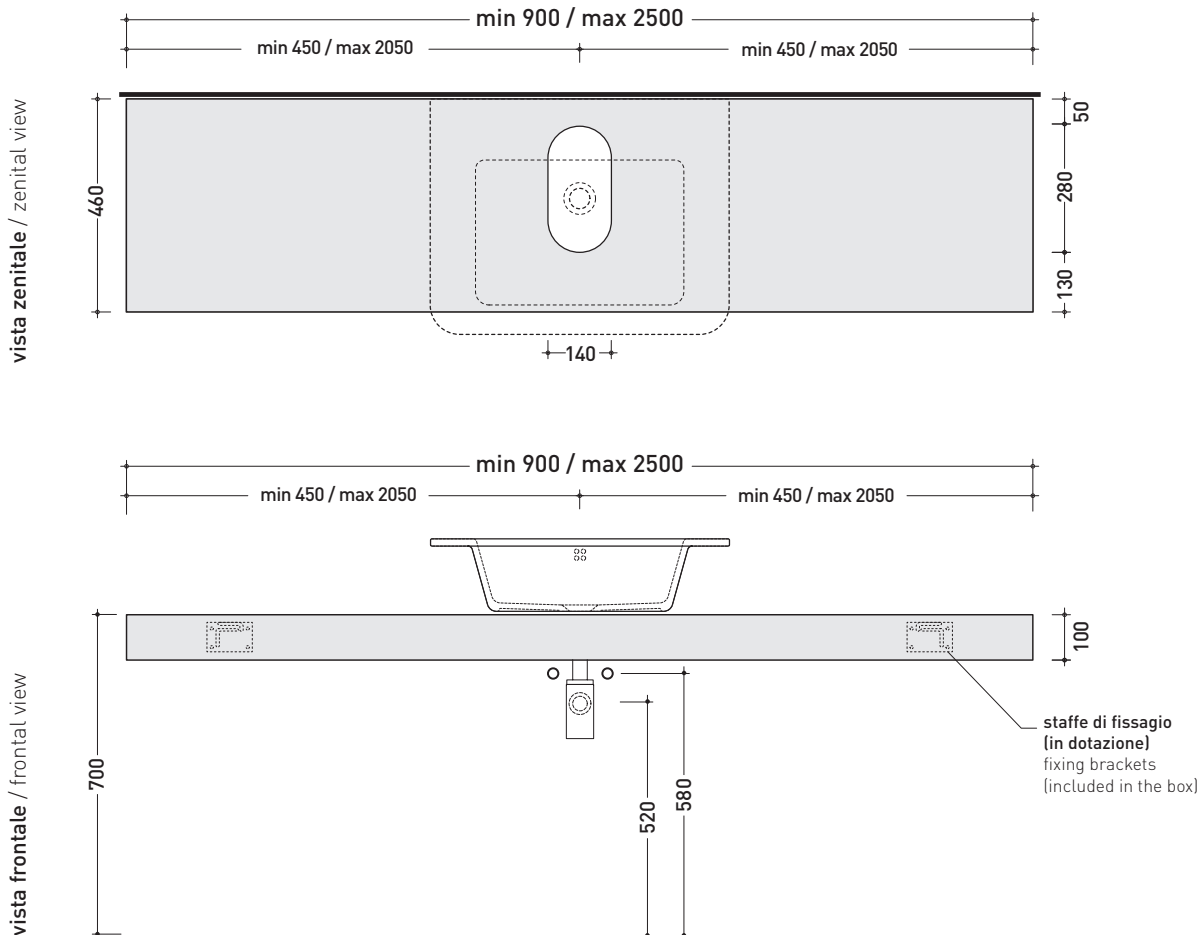
Hot/Cold mirror (SPHC)

Left/Right mirror (SPLR)

Line mirrors (BASC20 - BASC30 - BASC40)



Tap holes are not made on this article by Flaminia



REFERENCE TO  
THE COMPULSORY  
ORDER FORM

sizes in mm

PIETRALUCE: glossy finish



white black marine blue red beige sand grey

matt finish



milky white graphite lava grey argilla

<http://www.ceramicaflaminia.it/en/products/291-forty6>

©ceramicaflaminiaspa - All rights reserved. Unauthorized copying, publication, reproduction as well as partial reproduction are prohibited

april 2019





MODULO PER LA REALIZZAZIONE DELLE MENSOLE **FORTY6** A MISURA PER ART. **VL66L**

**FORTY6** CUSTOMIZED SHELVES FOR ART. **VL66L** FORM



**E' obbligatorio fotocopiare questa pagina, compilarla con cura e allegarla all'ordine.**  
It is compulsory to photocopy this page, carefully fill in and attach to the order.

➔➔ **1**

**DETTAGLI ORDINE / ORDER DETAILS**

ordinante - buyer cliente - client

ordine - order n: \_\_\_\_\_ data - date: \_\_\_\_\_ ref.: \_\_\_\_\_

annotazioni - notes \_\_\_\_\_

➔➔ **2**

**SCELTA ARTICOLO / ITEM CHOICE**

E' importante consultare prima la scheda tecnica relativa  
It's important to consult before the technical detail

art. **F6VL66**  
mensola / shelf da / from 90 a / to 250 cm

➔➔ **3**

**SCELTA MATERIALE / MATERIAL SELECTION**

**PIETRALUCE** lucida / glossy

- bianco - white
- grigio - grey
- beige - beige
- blu ultram. - marine blue

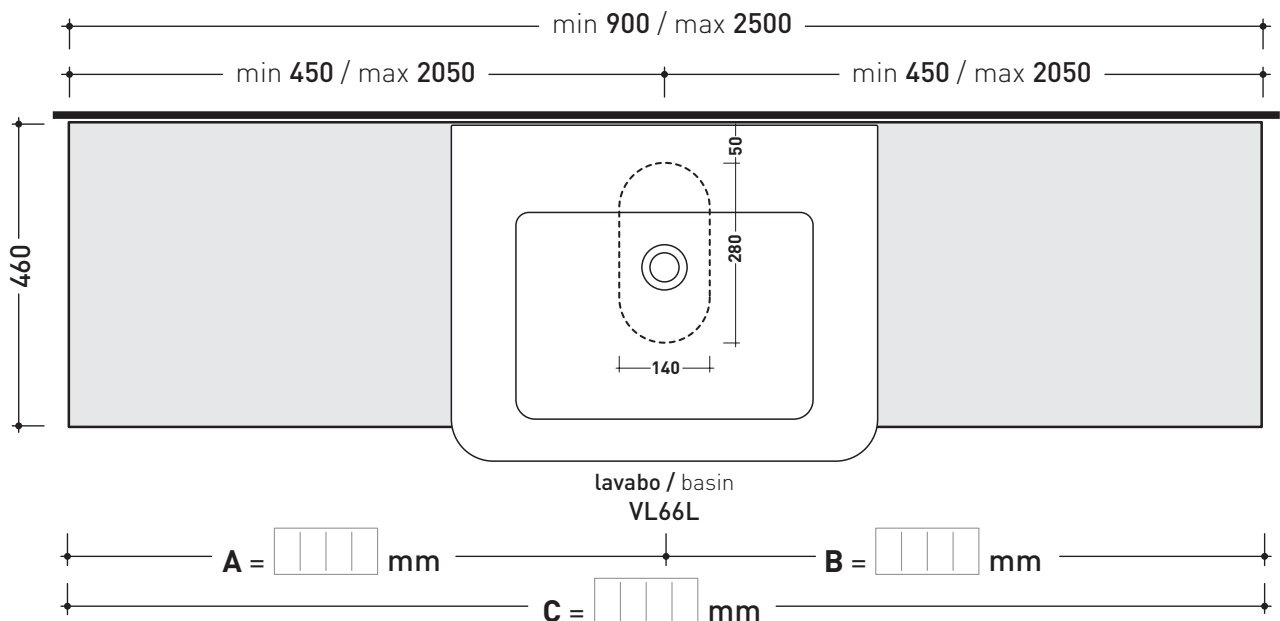
- sabbia - sand
- nero - black
- rosso cuoio - red

**PIETRALUCE** opaco / mat

- argilla - argilla
- latte - milky white
- gr. lava - lava grey
- grafite - graphite

➔➔ **4**

**SCELTA MISURE / MEASURES**



**➔ FLAMINIA.**

• **A** = misura interasse lavabo da sinistra / left distance of basin. • **C** = misura totale della mensola / total length of the shelf.  
• **B** = misura interasse lavabo da destra / right distance of basin. • verificare sempre che / verify that: **A + B = C.**





MODULO PER LA REALIZZAZIONE DELLE MENSOLE **FORTY6** A MISURA PER DOPPIO ART. **VL66L**

**FORTY6** CUSTOMIZED SHELVES FOR DOUBLE ART. **VL66L** FORM



**E' obbligatorio fotocopiare questa pagina, compilarla con cura e allegarla all'ordine.**  
It is compulsory to photocopy this page, carefully fill in and attach to the order.

➔➔ **1**

**DETTAGLI ORDINE / ORDER DETAILS**

ordinante - buyer cliente - client

ordine - order n: data - date: ref.:

annotazioni - notes

➔➔ **2**

**SCELTA ARTICOLO / ITEM CHOICE**

E' importante consultare prima la scheda tecnica relativa  
It's important to consult before the technical detail

art. **F6VL66**  
mensola / shelf da / from **180 a / to 250 cm**

➔➔ **3**

**SCELTA MATERIALE / MATERIAL SELECTION**

**PIETRALUCE** lucida / glossy

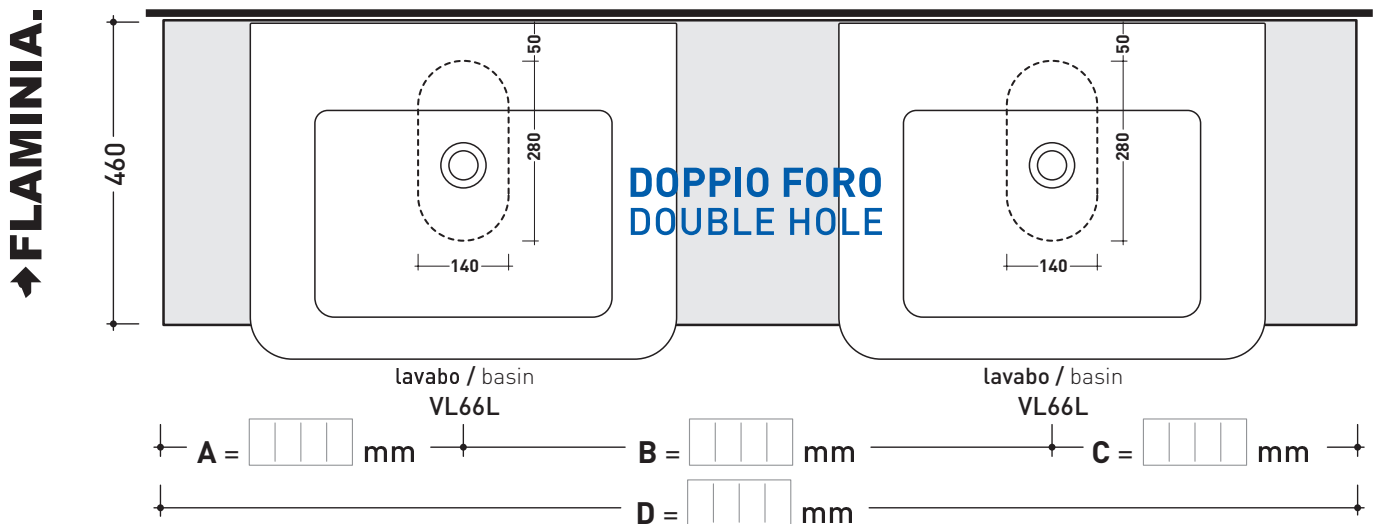
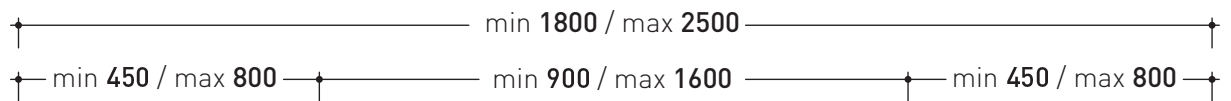
- |  |  |
|--|--|
| <input type="checkbox"/> bianco - white            | <input type="checkbox"/> sabbia - sand     |
| <input type="checkbox"/> grigio - grey             | <input type="checkbox"/> nero - black      |
| <input type="checkbox"/> beige - beige             | <input type="checkbox"/> rosso cuoio - red |
| <input type="checkbox"/> blu ultram. - marine blue |  |

**PIETRALUCE** opaco / mat

- |  |   |
|--|---|
| <input type="checkbox"/> argilla - argilla   | <input type="checkbox"/> gr. lava - lava grey |
| <input type="checkbox"/> latte - milky white | <input type="checkbox"/> grafite - graphite   |

➔➔ **4**

**SCELTA MISURE / MEASURES**



- **A** = misura interasse lavabo da sinistra / left distance of basin.
- **B** = misura interasse lavabi / distance between basins.
- **C** = misura interasse lavabo da destra / right distance of basin.

- **D** = misura totale della mensola / total length of the shelf.
- verificare sempre che / verify that: **A + B + C = D.**

## F6VD60 suitable for Void 60 (VD60L)

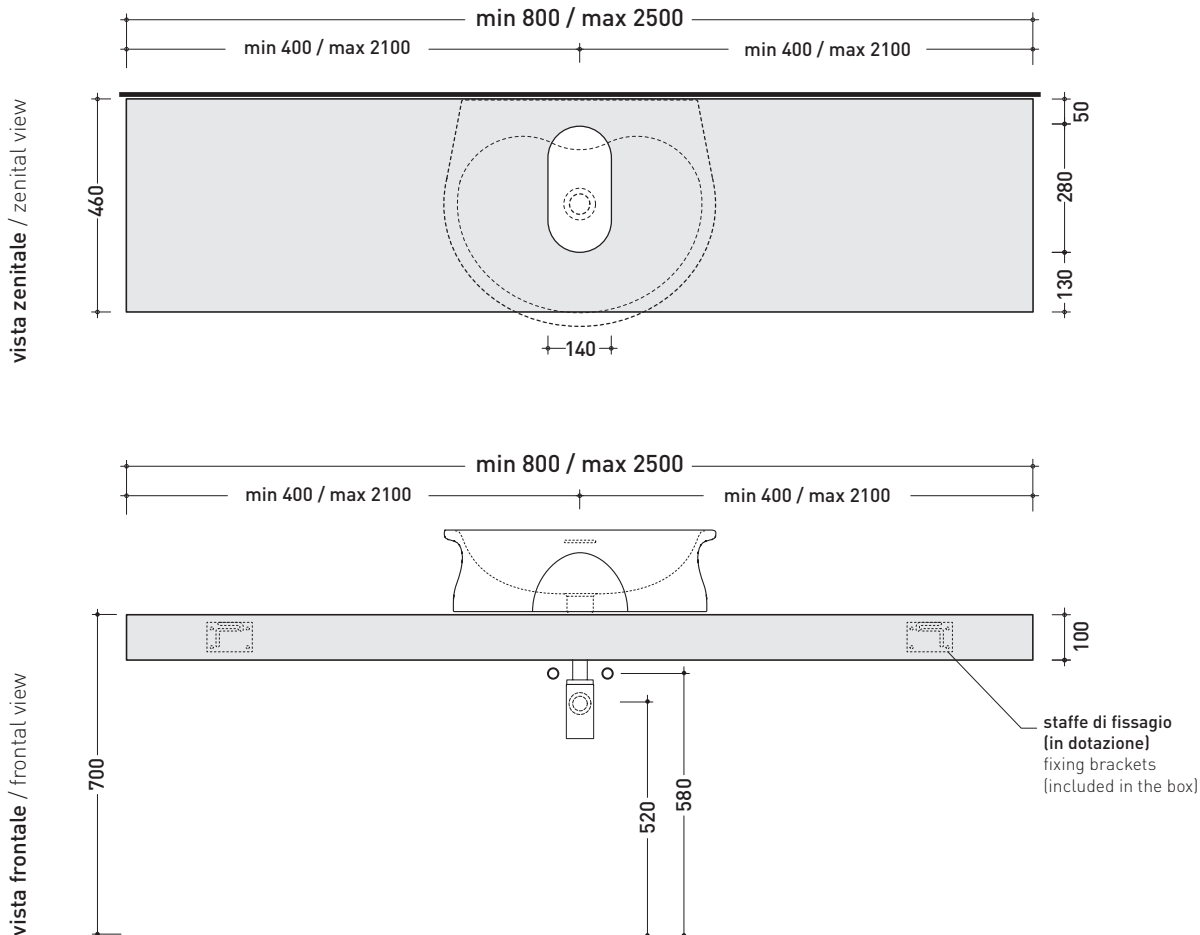
Shelf from 80 to 250 x 46 x h 10 cm suitable for Void 60 basin  
(fixing brackets included)

Complements: **Make-Up mirrors and lamps**

- App mirros
- Simple mirros
- Hot/Cold mirror (SPHC)
- Left/Right mirror (SPLR)
- Line mirrors (BASC20 - BASC30 - BASC40)



Tap holes are not made on this article by Flaminia



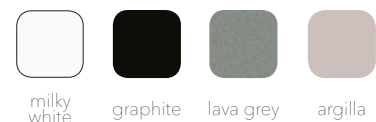
REFERENCE TO  
THE COMPULSORY  
ORDER FORM

sizes in mm

PIETRALUCE: glossy finish



matt finish





MODULO PER LA REALIZZAZIONE DELLE MENSOLE **FORTY6** A MISURA PER ART. **VD60L**  
**FORTY6** CUSTOMIZED SHELVES FOR ART. **VD60L** FORM



**E' obbligatorio fotocopiare questa pagina, compilarla con cura e allegarla all'ordine.**  
 It is compulsory to photocopy this page, carefully fill in and attach to the order.

➔➔ **1** **DETTAGLI ORDINE / ORDER DETAILS**

ordinante - buyer		cliente - client	
ordine - order n:	data - date:	ref.:	
annotazioni - notes			

➔➔ **2** **SCELTA ARTICOLO / ITEM CHOICE**

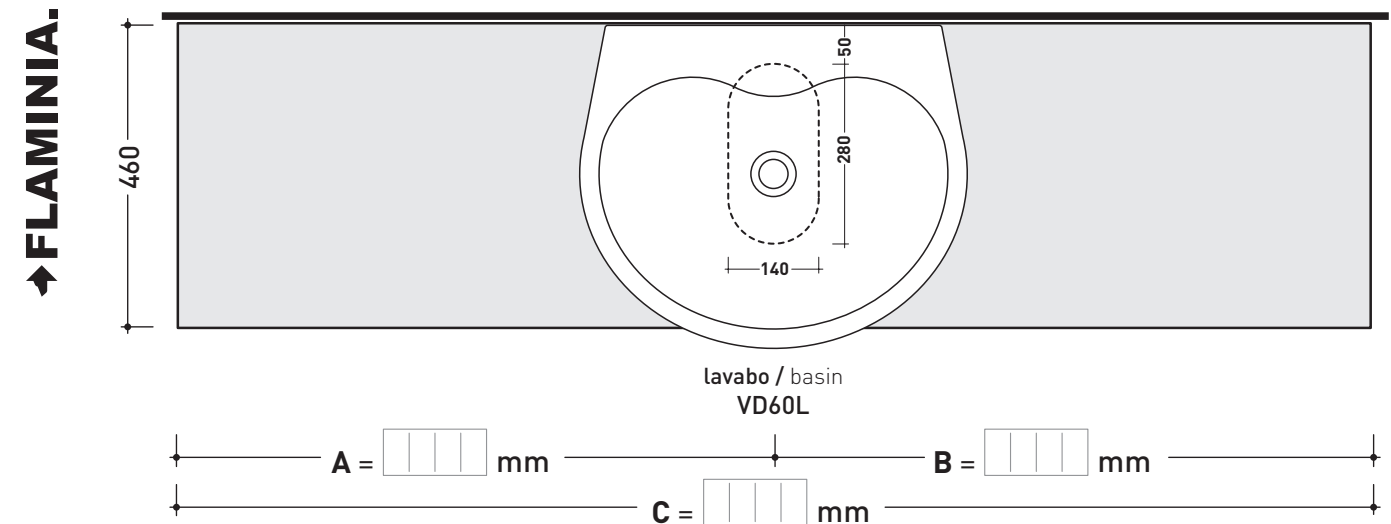
E' importante consultare prima la scheda tecnica relativa  
 It's important to consult before the technical detail

**art. F6VD60**  
 mensola / shelf da / from 80 a / to 250 cm

➔➔ **3** **SCELTA MATERIALE / MATERIAL SELECTION**

PIETRALUCE lucida / glossy		PIETRALUCE opaco / mat	
<input type="checkbox"/> bianco - white	<input type="checkbox"/> sabbia - sand	<input type="checkbox"/> argilla - argilla	<input type="checkbox"/> gr. lava - lava grey
<input type="checkbox"/> grigio - grey	<input type="checkbox"/> nero - black	<input type="checkbox"/> latte - milky white	<input type="checkbox"/> grafite - graphite
<input type="checkbox"/> beige - beige	<input type="checkbox"/> rosso cuoio - red		
<input type="checkbox"/> blu ultram. - marine blue			

➔➔ **4** **SCELTA MISURE / MEASURES**



• **A** = misura interasse lavabo da sinistra / left distance of basin.      • **C** = misura totale della mensola / total length of the shelf.  
 • **B** = misura interasse lavabo da destra / right distance of basin.      • verificare sempre che / verify that: **A + B = C**.



MODULO PER LA REALIZZAZIONE DELLE MENSOLE **FORTY6** A MISURA PER DOPPIO ART. **VD60L**

**FORTY6** CUSTOMIZED SHELVES FOR DOUBLE ART. **VD60L** FORM



**E' obbligatorio fotocopiare questa pagina, compilarla con cura e allegarla all'ordine.**  
It is compulsory to photocopy this page, carefully fill in and attach to the order.

➔➔ **1**

**DETTAGLI ORDINE / ORDER DETAILS**

ordinante - buyer		cliente - client	
ordine - order n:	data - date:	ref.:	
annotazioni - notes			

➔➔ **2**

**SCELTA ARTICOLO / ITEM CHOICE**

E' importante consultare prima la scheda tecnica relativa  
It's important to consult before the technical detail

art. **F6VD60**  
mensola / shelf da / from 170 a / to 250 cm

➔➔ **3**

**SCELTA MATERIALE / MATERIAL SELECTION**

**PIETRALUCE** lucida / glossy

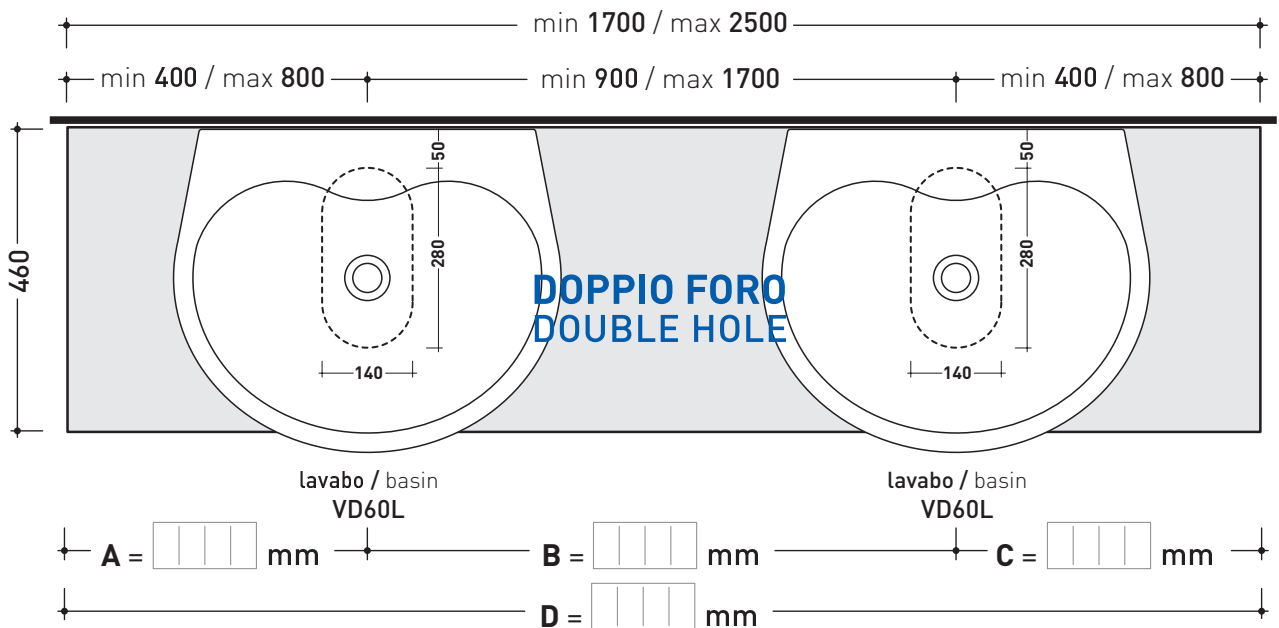
- |  |  |
|--|--|
| <input type="checkbox"/> bianco - white            | <input type="checkbox"/> sabbia - sand     |
| <input type="checkbox"/> grigio - grey             | <input type="checkbox"/> nero - black      |
| <input type="checkbox"/> beige - beige             | <input type="checkbox"/> rosso cuoio - red |
| <input type="checkbox"/> blu ultram. - marine blue |  |

**PIETRALUCE** opaco / mat

- |  |   |
|--|---|
| <input type="checkbox"/> argilla - argilla   | <input type="checkbox"/> gr. lava - lava grey |
| <input type="checkbox"/> latte - milky white | <input type="checkbox"/> grafite - graphite   |

➔➔ **4**

**SCELTA MISURE / MEASURES**



- **A** = misura interasse lavabo da sinistra / left distance of basin.
- **B** = misura interasse lavabi / distance between basins.
- **C** = misura interasse lavabo da destra / right distance of basin.

- **D** = misura totale della mensola / total length of the shelf.
- verificare sempre che / verify that: **A + B + C = D.**

## F6VD44 suitable for Void 44 (VD44L)

Shelf from 80 to 250 x 46 x h 10 cm suitable for Void 44 basin  
(fixing brackets included)

Complements: **Make-Up mirrors and lamps**

App mirros

Simple mirros

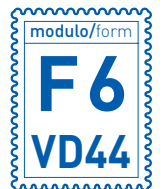
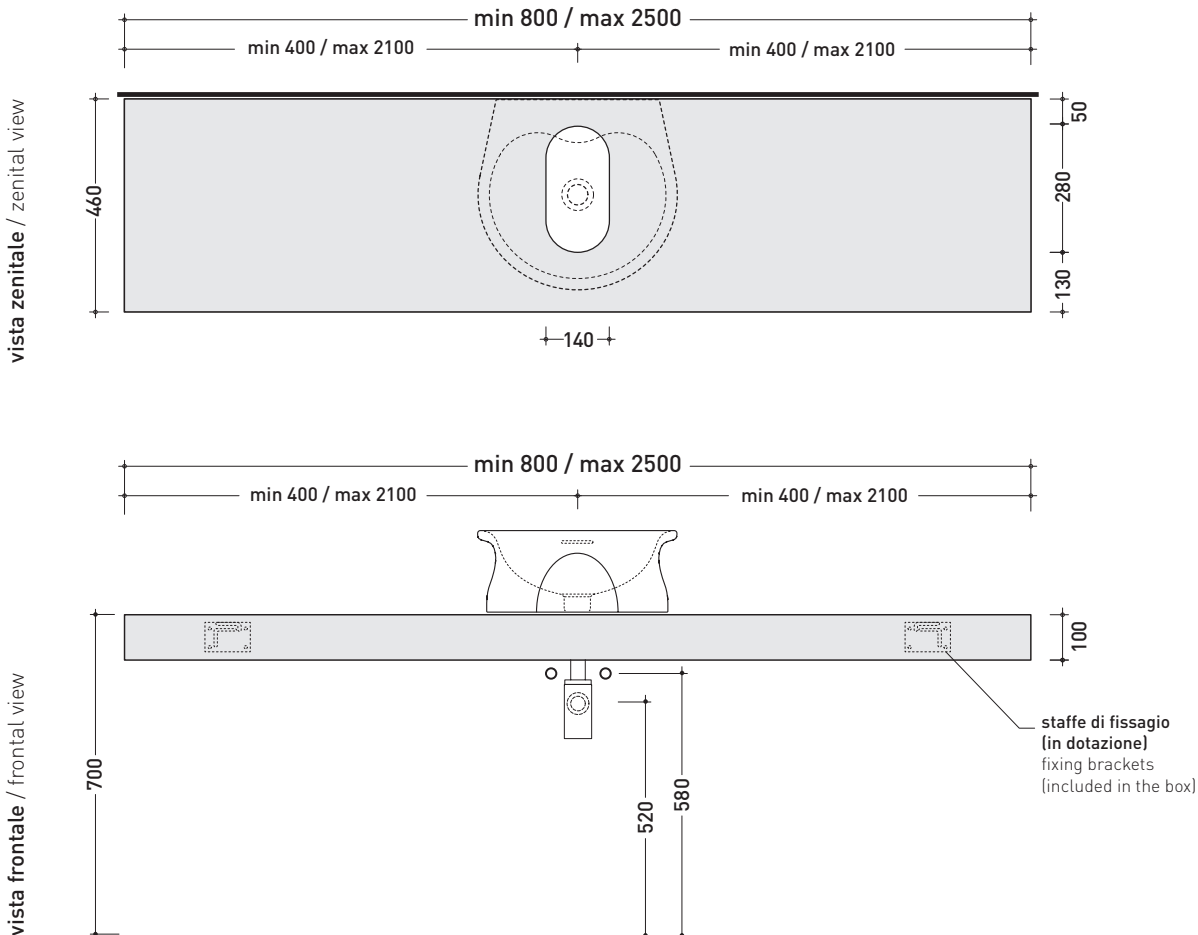
Hot/Cold mirror (SPHC)

Left/Right mirror (SPLR)

Line mirrors (BASC20 - BASC30 - BASC40)



Tap holes are not made on this article by Flaminia



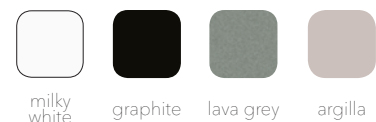
REFERENCE TO  
THE COMPULSORY  
ORDER FORM

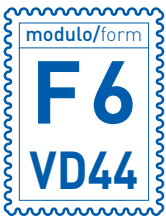
sizes in mm

PIETRALUCE: glossy finish



matt finish





MODULO PER LA REALIZZAZIONE DELLE MENSOLE **FORTY6** A MISURA PER ART. **VD44L**  
**FORTY6** CUSTOMIZED SHELVES FOR ART. **VD44L** FORM

**E' obbligatorio fotocopiare questa pagina, compilarla con cura e allegarla all'ordine.**  
 It is compulsory to photocopy this page, carefully fill in and attach to the order.

➔➔ **1** DETTAGLI ORDINE / ORDER DETAILS

ordinante - buyer \_\_\_\_\_ cliente - client \_\_\_\_\_

ordine - order n: \_\_\_\_\_ data - date: \_\_\_\_\_ ref.: \_\_\_\_\_

annotazioni - notes \_\_\_\_\_

➔➔ **2** SCELTA ARTICOLO / ITEM CHOICE

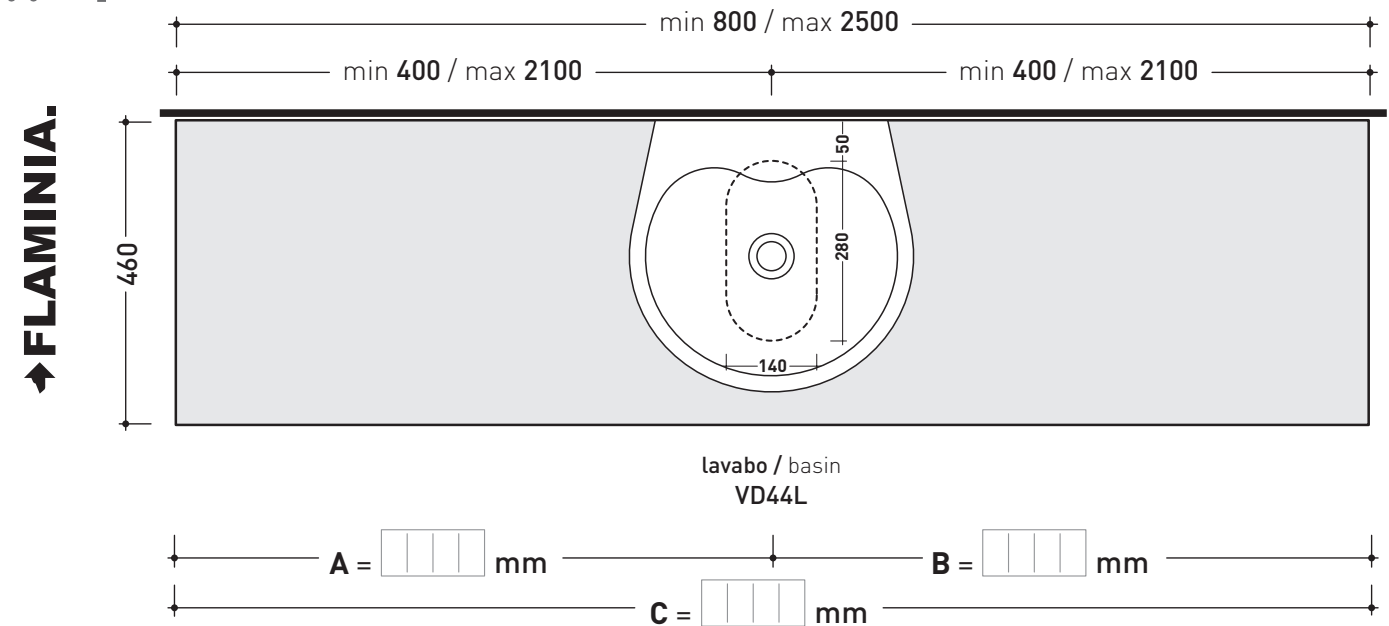
E' importante consultare prima la scheda tecnica relativa  
 It's important to consult before the technical detail

art. **F6VD44**  
 mensola / shelf da / from 80 a / to 250 cm

➔➔ **3** SCELTA MATERIALE / MATERIAL SELECTION

<b>PIETRALUCE</b> lucida / glossy		<b>PIETRALUCE</b> opaco / mat	
<input type="checkbox"/> bianco - white	<input type="checkbox"/> sabbia - sand	<input type="checkbox"/> argilla - argilla	<input type="checkbox"/> gr. lava - lava grey
<input type="checkbox"/> grigio - grey	<input type="checkbox"/> nero - black	<input type="checkbox"/> latte - milky white	<input type="checkbox"/> grafite - graphite
<input type="checkbox"/> beige - beige	<input type="checkbox"/> rosso cuoio - red		
<input type="checkbox"/> blu ultram. - marine blue			

➔➔ **4** SCELTA MISURE / MEASURES



• **A** = misura interasse lavabo da sinistra / left distance of basin.      • **C** = misura totale della mensola / total length of the shelf.  
 • **B** = misura interasse lavabo da destra / right distance of basin.      • verificare sempre che / verify that: **A + B = C**.



MODULO PER LA REALIZZAZIONE DELLE MENSOLE **FORTY6** A MISURA PER DOPPIO ART. **VD44L**

**FORTY6** CUSTOMIZED SHELVES FOR DOUBLE ART. **VD44L** FORM



**E' obbligatorio fotocopiare questa pagina, compilarla con cura e allegarla all'ordine.**  
It is compulsory to photocopy this page, carefully fill in and attach to the order.

➔➔ **1**

**DETTAGLI ORDINE / ORDER DETAILS**

ordinante - buyer cliente - client

ordine - order n: \_\_\_\_\_ data - date: \_\_\_\_\_ ref.: \_\_\_\_\_

annotazioni - notes \_\_\_\_\_

➔➔ **2**

**SCELTA ARTICOLO / ITEM CHOICE**

E' importante consultare prima la scheda tecnica relativa  
It's important to consult before the technical detail

art. **F6VD44**  
mensola / shelf da / from 145 a / to 250 cm

➔➔ **3**

**SCELTA MATERIALE / MATERIAL SELECTION**

**PIETRALUCE** lucida / glossy

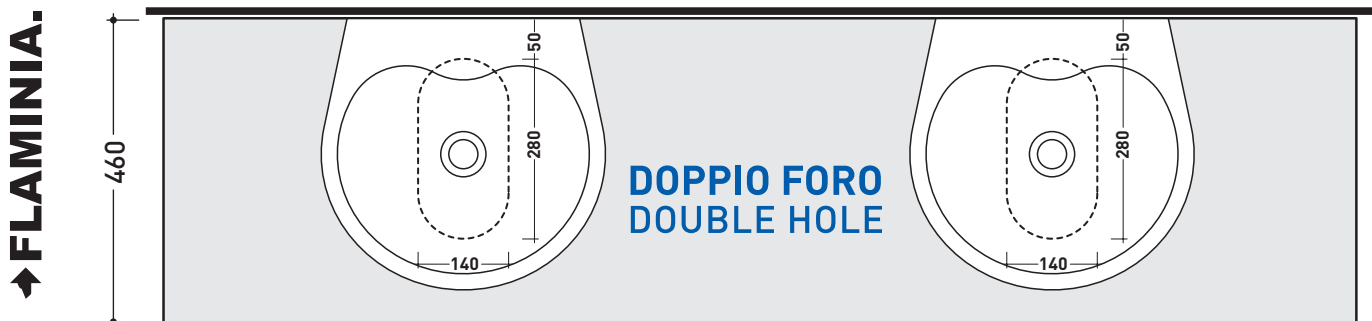
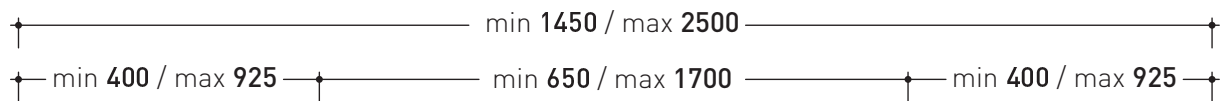
- |  |  |
|--|--|
| <input type="checkbox"/> bianco - white            | <input type="checkbox"/> sabbia - sand     |
| <input type="checkbox"/> grigio - grey             | <input type="checkbox"/> nero - black      |
| <input type="checkbox"/> beige - beige             | <input type="checkbox"/> rosso cuoio - red |
| <input type="checkbox"/> blu ultram. - marine blue |  |

**PIETRALUCE** opaco / mat

- |  |   |
|--|---|
| <input type="checkbox"/> argilla - argilla   | <input type="checkbox"/> gr. lava - lava grey |
| <input type="checkbox"/> latte - milky white | <input type="checkbox"/> grafite - graphite   |

➔➔ **4**

**SCELTA MISURE / MEASURES**



lavabo / basin  
VD44L

lavabo / basin  
VD44L



- A = misura interasse lavabo da sinistra / left distance of basin.
- B = misura interasse lavabi / distance between basins.
- C = misura interasse lavabo da destra / right distance of basin.

- D = misura totale della mensola / total length of the shelf.
- verificare sempre che / verify that: **A + B + C = D.**

design **FLAMINIA DESIGN TEAM**

2010

## F6CM54L suitable for Como 54 (CM54L)

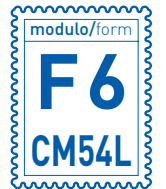
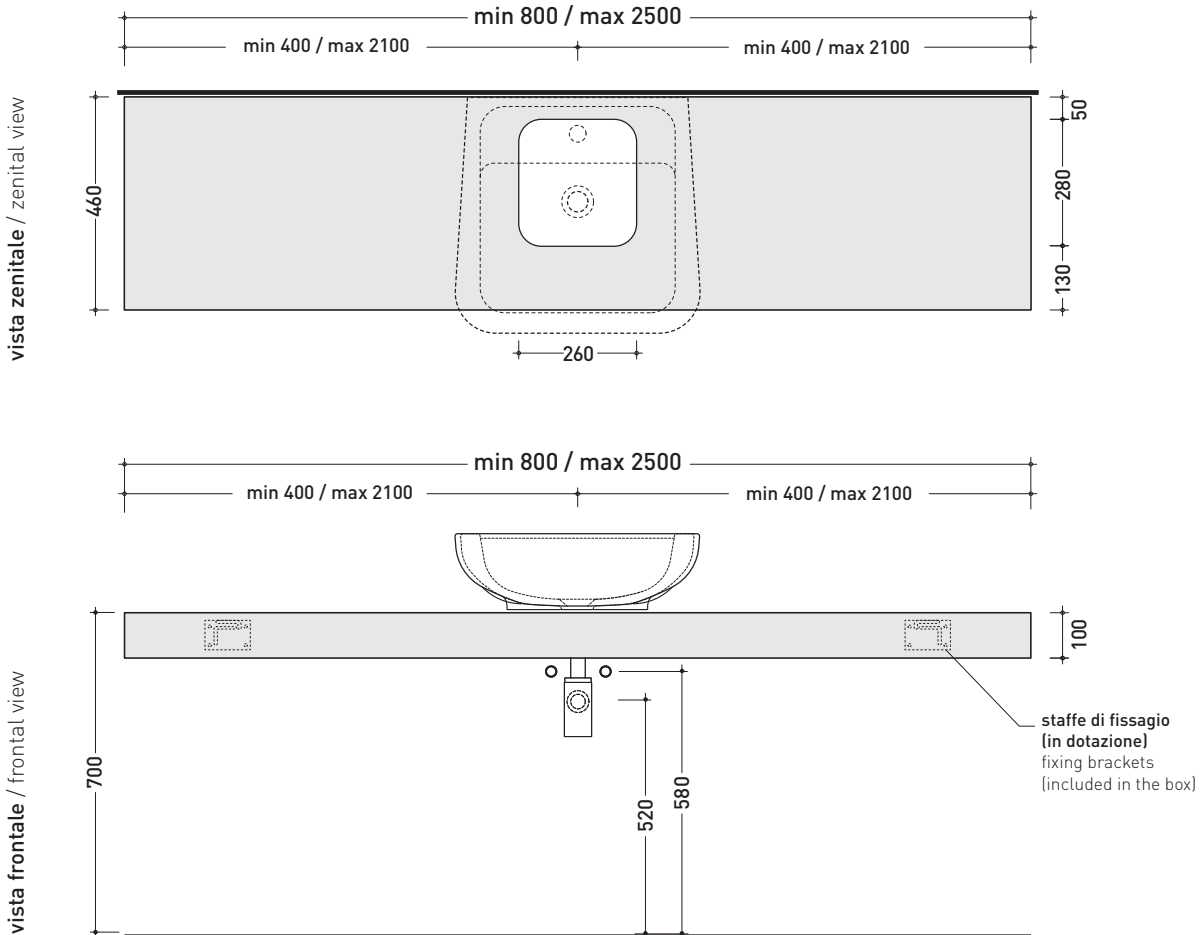
Shelf from 80 to 250 x 46 x h 10 cm suitable for Como 54 basin  
(fixing brackets included)

Complements: **Make-Up mirrors and lamps**

- App mirros
- Simple mirros
- Hot/Cold mirror (SPHC)
- Left/Right mirror (SPLR)
- Line mirrors (BASC20 - BASC30 - BASC40)



Tap holes are not made on this article by Flaminia



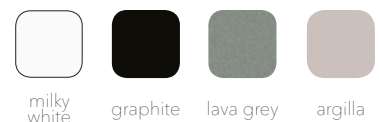
REFERENCE TO  
THE COMPULSORY  
ORDER FORM

sizes in mm

PIETRALUCE: glossy finish



matt finish







MODULO PER LA REALIZZAZIONE DELLE MENSOLE **FORTY6** A MISURA PER ART. **CM54L**

**FORTY6** CUSTOMIZED SHELVES FOR ART. **CM54L** FORM



**E' obbligatorio fotocopiare questa pagina, compilarla con cura e allegarla all'ordine.**  
It is compulsory to photocopy this page, carefully fill in and attach to the order.

➔➔ **1**

**DETTAGLI ORDINE / ORDER DETAILS**

ordinante - buyer cliente - client

ordine - order n: \_\_\_\_\_ data - date: \_\_\_\_\_ ref.: \_\_\_\_\_

annotazioni - notes \_\_\_\_\_

➔➔ **2**

**SCELTA ARTICOLO / ITEM CHOICE**

E' importante consultare prima la scheda tecnica relativa  
It's important to consult before the technical detail

art. **F6CM54L**  
mensola / shelf da / from **80 a / to 250 cm**

➔➔ **3**

**SCELTA MATERIALE / MATERIAL SELECTION**

**PIETRALUCE** lucida / glossy

- bianco - white
- grigio - grey
- beige - beige
- blu ultram. - marine blue

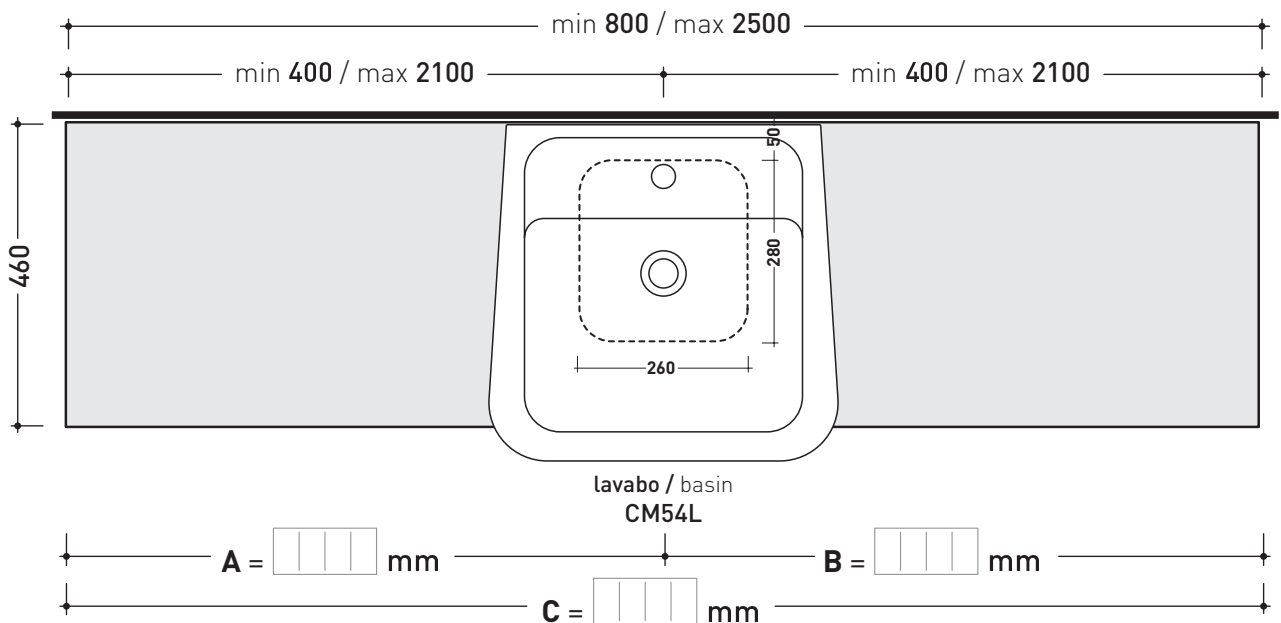
- sabbia - sand
- nero - black
- rosso cuoio - red

**PIETRALUCE** opaco / mat

- argilla - argilla
- latte - milky white
- gr. lava - lava grey
- grafite - graphite

➔➔ **4**


**SCELTA MISURE / MEASURES**



• **A** = misura interasse lavabo da sinistra / left distance of basin. • **C** = misura totale della mensola / total length of the shelf.  
• **B** = misura interasse lavabo da destra / right distance of basin. • verificare sempre che / verify that: **A + B = C.**



MODULO PER LA REALIZZAZIONE DELLE MENSOLE **FORTY6** A MISURA PER DOPPIO ART. **CM54L**  
**FORTY6** CUSTOMIZED SHELVES FOR DOUBLE ART. **CM54L** FORM

 **E' obbligatorio fotocopiare questa pagina, compilarla con cura e allegarla all'ordine.**  
 It is compulsory to photocopy this page, carefully fill in and attach to the order.

➔➔ **1** DETTAGLI ORDINE / ORDER DETAILS

ordinante - buyer \_\_\_\_\_ cliente - client \_\_\_\_\_

ordine - order n: \_\_\_\_\_ data - date: \_\_\_\_\_ ref.: \_\_\_\_\_

annotazioni - notes \_\_\_\_\_

➔➔ **2** SCELTA ARTICOLO / ITEM CHOICE

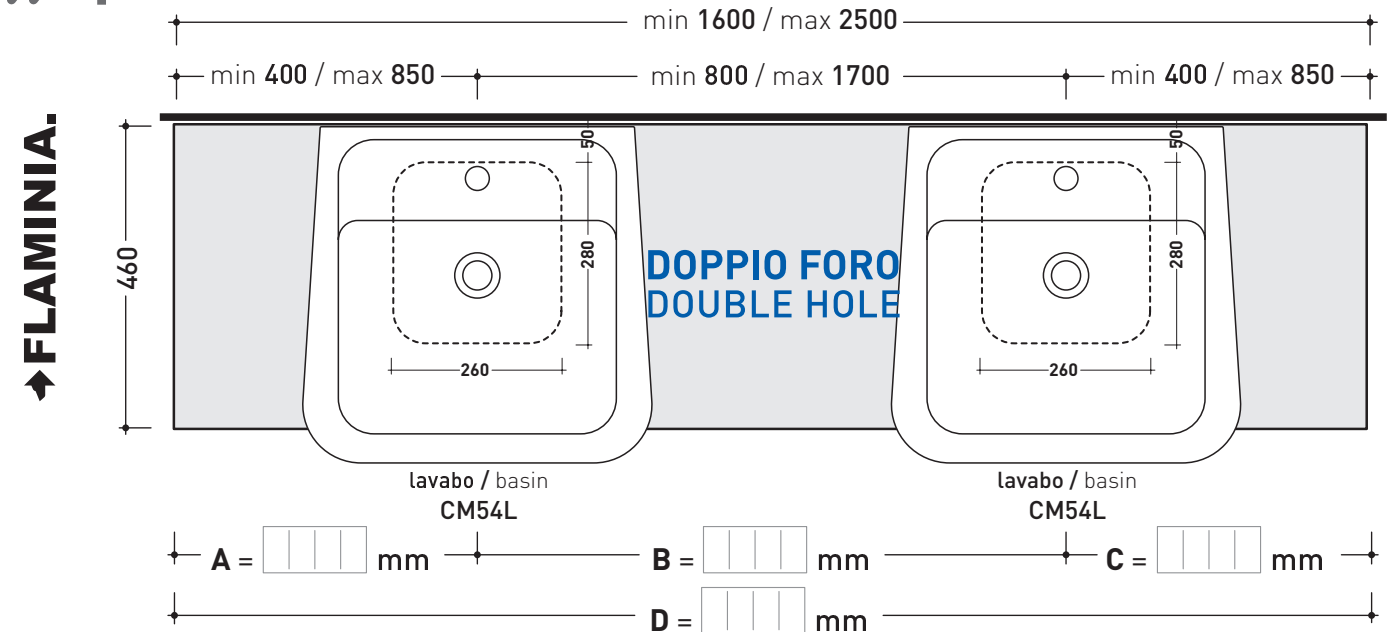
E' importante consultare prima la scheda tecnica relativa  
 It's important to consult before the technical detail

art. **F6CM54L**  
 mensola / shelf da / from 160 a / to 250 cm

➔➔ **3** SCELTA MATERIALE / MATERIAL SELECTION

PIETRALUCE lucida / glossy		PIETRALUCE opaco / mat	
<input type="checkbox"/> bianco - white	<input type="checkbox"/> sabbia - sand	<input type="checkbox"/> argilla - argilla	<input type="checkbox"/> gr. lava - lava grey
<input type="checkbox"/> grigio - grey	<input type="checkbox"/> nero - black	<input type="checkbox"/> latte - milky white	<input type="checkbox"/> grafite - graphite
<input type="checkbox"/> beige - beige	<input type="checkbox"/> rosso cuoio - red		
<input type="checkbox"/> blu ultram. - marine blue			

➔➔ **4** SCELTA MISURE / MEASURES



- A = misura interasse lavabo da sinistra / left distance of basin.
- B = misura interasse lavabi / distance between basins.
- C = misura interasse lavabo da destra / right distance of basin.
- D = misura totale della mensola / total length of the shelf.
- verificare sempre che / verify that: **A + B + C = D.**

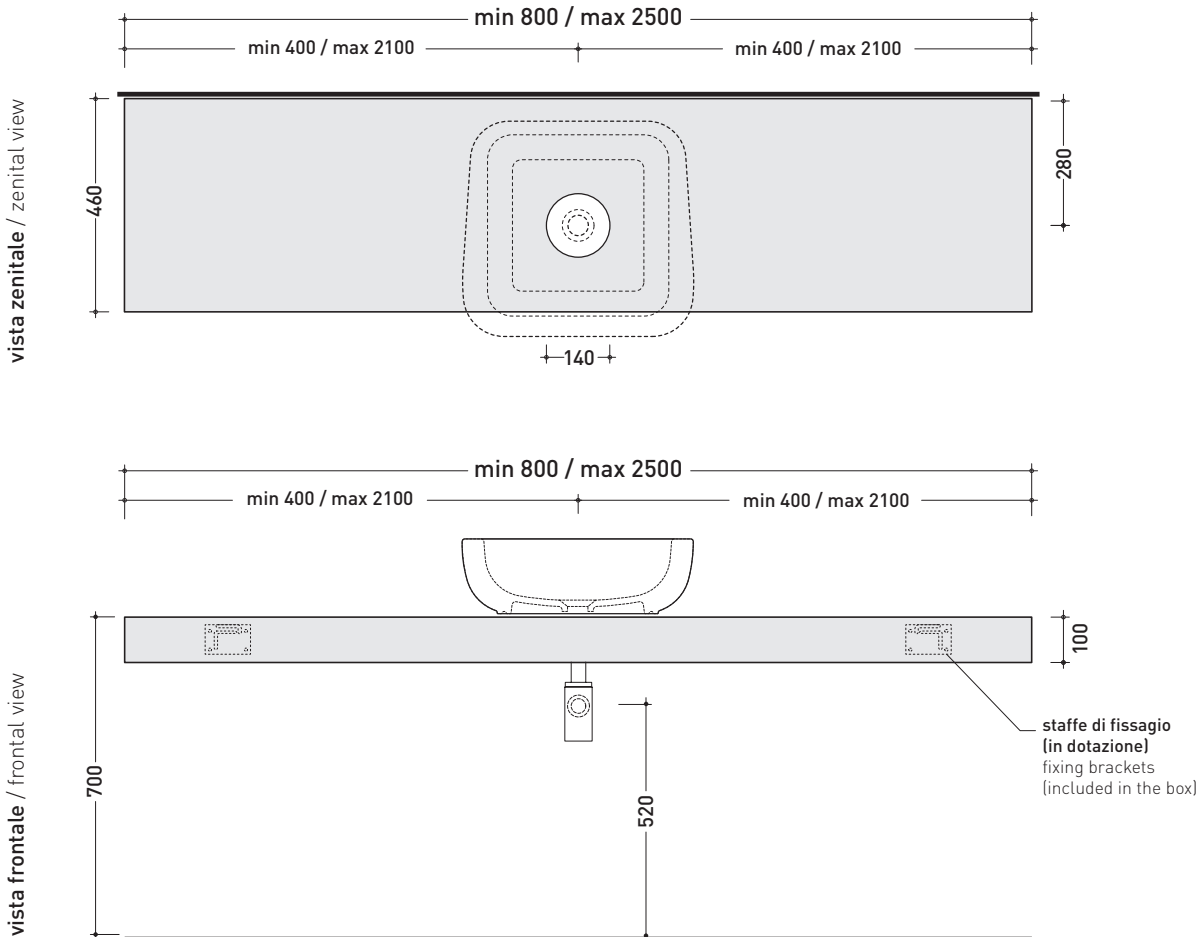
## F6CM51A suitable for Como 51 (CM51A)

Shelf from 80 to 250 x 46 x h 10 cm suitable for Como 51 basin  
(fixing brackets included)

- Complements:
- Make-Up mirrors and lamps
  - App mirros
  - Simple mirros
  - Hot/Cold mirror (SPHC)
  - Left/Right mirror (SPLR)
  - Line mirrors (BASC20 - BASC30 - BASC40)



Tap holes are not made on this article by Flaminia



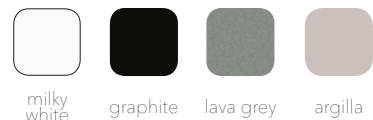
REFERENCE TO  
THE COMPULSORY  
ORDER FORM

sizes in mm

PIETRALUCE: glossy finish



matt finish





MODULO PER LA REALIZZAZIONE DELLE MENSOLE **FORTY6** A MISURA PER ART. **CM51A**

**FORTY6** CUSTOMIZED SHELVES FOR ART. **CM51A** FORM



**E' obbligatorio fotocopiare questa pagina, compilarla con cura e allegarla all'ordine.**  
It is compulsory to photocopy this page, carefully fill in and attach to the order.

➔➔ **1**

**DETTAGLI ORDINE / ORDER DETAILS**

ordinante - buyer cliente - client

ordine - order n: \_\_\_\_\_ data - date: \_\_\_\_\_ ref.: \_\_\_\_\_

annotazioni - notes \_\_\_\_\_

➔➔ **2**

**SCELTA ARTICOLO / ITEM CHOICE**

E' importante consultare prima la scheda tecnica relativa  
It's important to consult before the technical detail

art. **F6CM51A**  
mensola / shelf da / from **80 a / to 250 cm**

➔➔ **3**

**SCELTA MATERIALE / MATERIAL SELECTION**

**PIETRALUCE** lucida / glossy

- bianco - white
- grigio - grey
- beige - beige
- blu ultram. - marine blue

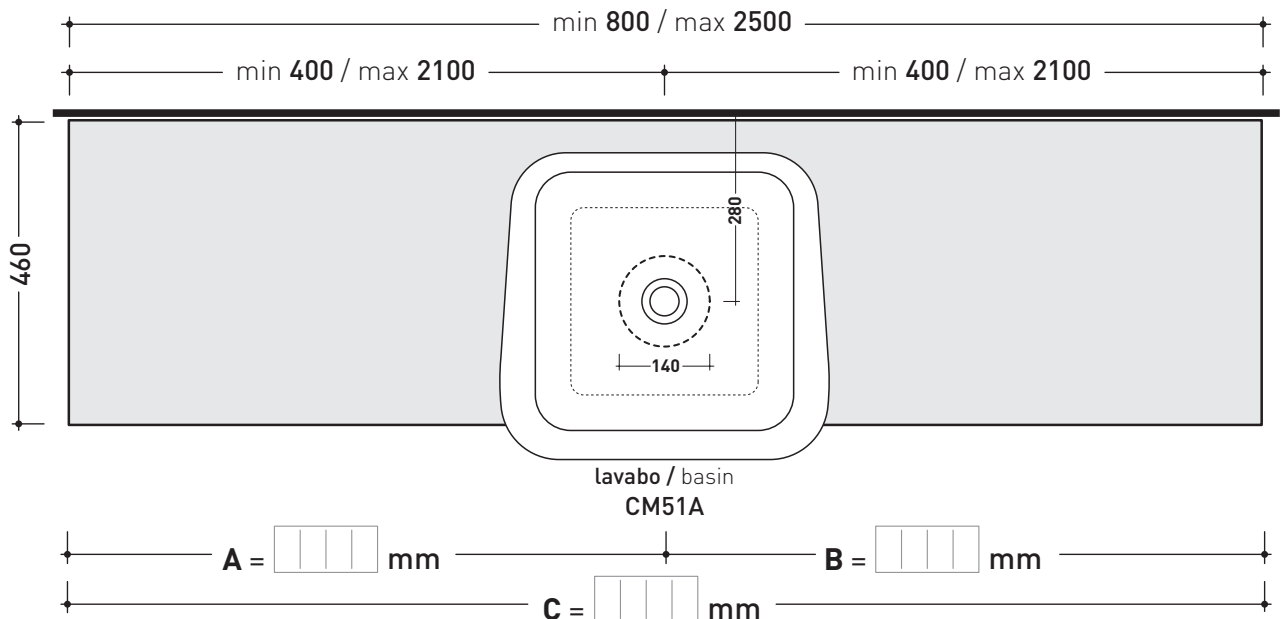
- sabbia - sand
- nero - black
- rosso cuoio - red

**PIETRALUCE** opaco / mat

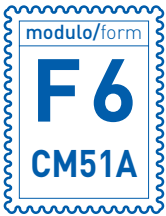
- argilla - argilla
- latte - milky white
- gr. lava - lava grey
- grafite - graphite

➔➔ **4**


**SCELTA MISURE / MEASURES**



• **A** = misura interasse lavabo da sinistra / left distance of basin.    • **C** = misura totale della mensola / total length of the shelf.  
• **B** = misura interasse lavabo da destra / right distance of basin.    • verificare sempre che / verify that: **A + B = C.**



MODULO PER LA REALIZZAZIONE DELLE MENSOLE **FORTY6** A MISURA PER DOPPIO ART. **CM51A**  
**FORTY6 CUSTOMIZED SHELVES FOR DOUBLE ART. CM51A FORM**

 **E' obbligatorio fotocopiare questa pagina, compilarla con cura e allegarla all'ordine.**  
 It is compulsory to photocopy this page, carefully fill in and attach to the order.

➔➔ **1** DETTAGLI ORDINE / ORDER DETAILS

ordinante - buyer \_\_\_\_\_ cliente - client \_\_\_\_\_

ordine - order n: \_\_\_\_\_ data - date: \_\_\_\_\_ ref.: \_\_\_\_\_

annotazioni - notes \_\_\_\_\_

➔➔ **2** SCELTA ARTICOLO / ITEM CHOICE

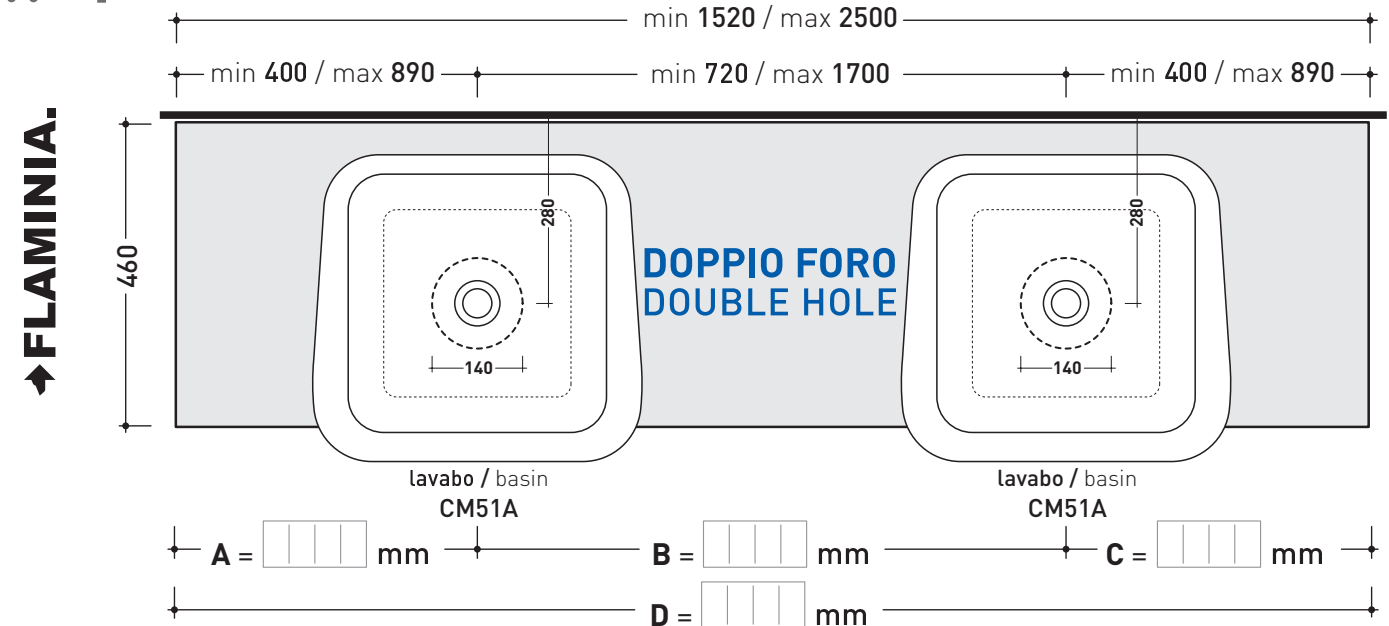
E' importante consultare prima la scheda tecnica relativa  
 It's important to consult before the technical detail

art. **F6CM51A**  
 mensola / shelf da / from 152 a / to 250 cm

➔➔ **3** SCELTA MATERIALE / MATERIAL SELECTION

- |  |  |  |   |
|--|--|--|---|
| <b>PIETRALUCE lucida / glossy</b>                  |  | <b>PIETRALUCE opaco / mat</b>                |   |
| <input type="checkbox"/> bianco - white            | <input type="checkbox"/> sabbia - sand     | <input type="checkbox"/> argilla - argilla   | <input type="checkbox"/> gr. lava - lava grey |
| <input type="checkbox"/> grigio - grey             | <input type="checkbox"/> nero - black      | <input type="checkbox"/> latte - milky white | <input type="checkbox"/> grafite - graphite   |
| <input type="checkbox"/> beige - beige             | <input type="checkbox"/> rosso cuoio - red |  |   |
| <input type="checkbox"/> blu ultram. - marine blue |  |  |   |

➔➔ **4** SCELTA MISURE / MEASURES



- A = misura interasse lavabo da sinistra / left distance of basin.
- B = misura interasse lavabi / distance between basins.
- C = misura interasse lavabo da destra / right distance of basin.
- D = misura totale della mensola / total length of the shelf.
- verificare sempre che / verify that: **A + B + C = D.**

design **FLAMINIA DESIGN TEAM**

2010

## F6NL suitable for Nile (NL40A - NL62A - NL62H20)

Shelf from 80 to 250 x 46 x h 10 cm suitable for countertop basins  
Nile (fixing brackets included)

Complements: **Make-Up mirrors and lamps**

App mirros

Simple mirros

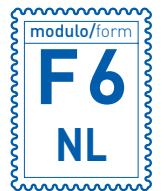
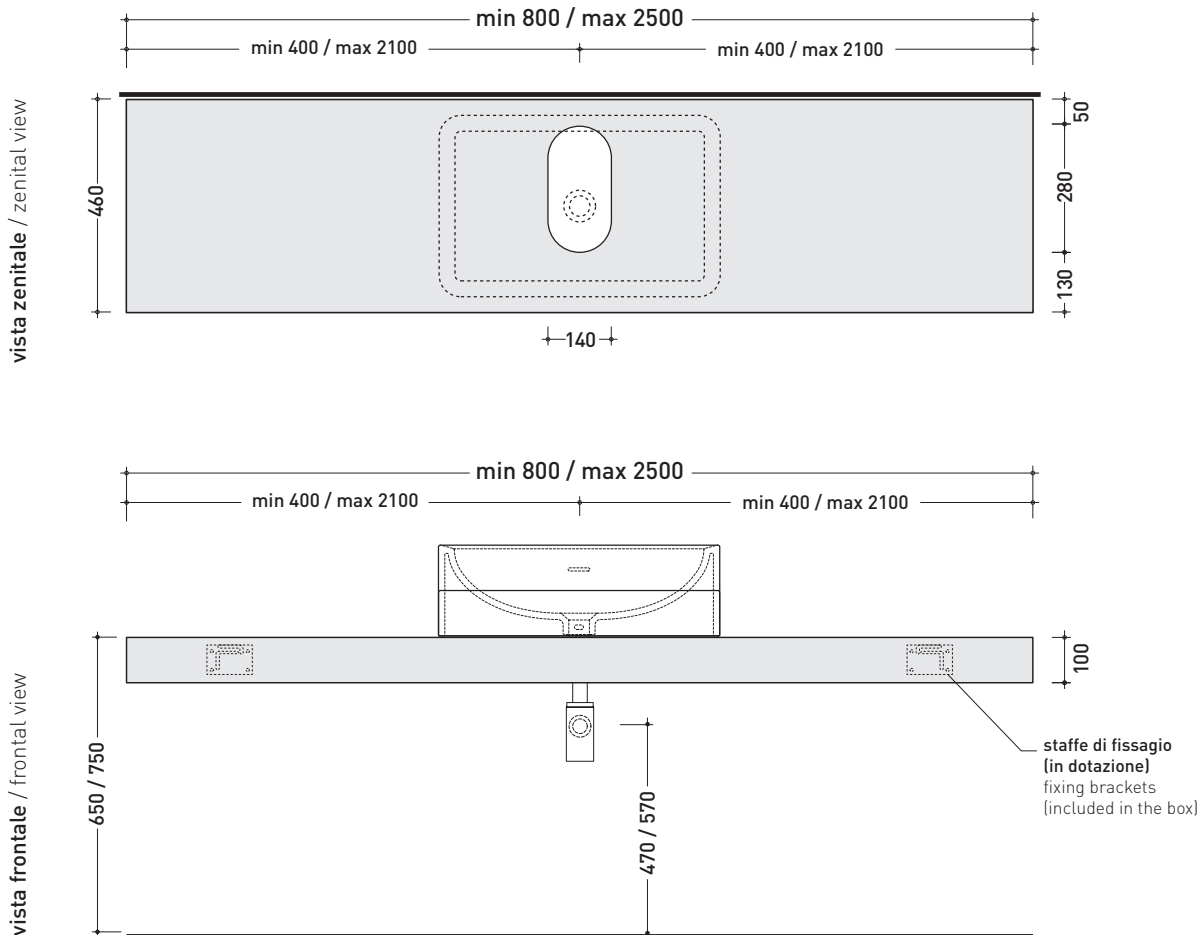
Hot/Cold mirror (SPHC)

Left/Right mirror (SPLR)

Line mirrors (BASC20 - BASC30 - BASC40)



Tap holes are not made on this article by Flaminia



REFERENCE TO  
THE COMPULSORY  
ORDER FORM

sizes in mm

PIETRALUCE: glossy finish



white black marine blue red beige sand grey

matt finish



milky white graphite lava grey argilla

<http://www.ceramicaflaminia.it/en/products/291-forty6>


©ceramicaflaminiaspa - All rights reserved. Unauthorized copying, publication, reproduction as well as partial reproduction are prohibited

april 2019





MODULO PER LA REALIZZAZIONE DELLE MENSOLE **FORTY6** A MISURA PER ART. **NL40A / NL62A / NL62H20**  
**FORTY6 CUSTOMIZED SHELVES FOR ART. NL40A / NL62A / NL62H20 FORM**

 **E' obbligatorio fotocopiare questa pagina, compilarla con cura e allegarla all'ordine.**  
 It is compulsory to photocopy this page, carefully fill in and attach to the order.

➔➔ **1** DETTAGLI ORDINE / ORDER DETAILS

ordinante - buyer \_\_\_\_\_ cliente - client \_\_\_\_\_

ordine - order n: \_\_\_\_\_ data - date: \_\_\_\_\_ ref.: \_\_\_\_\_

annotazioni - notes \_\_\_\_\_

➔➔ **2** SCELTA ARTICOLO / ITEM CHOICE

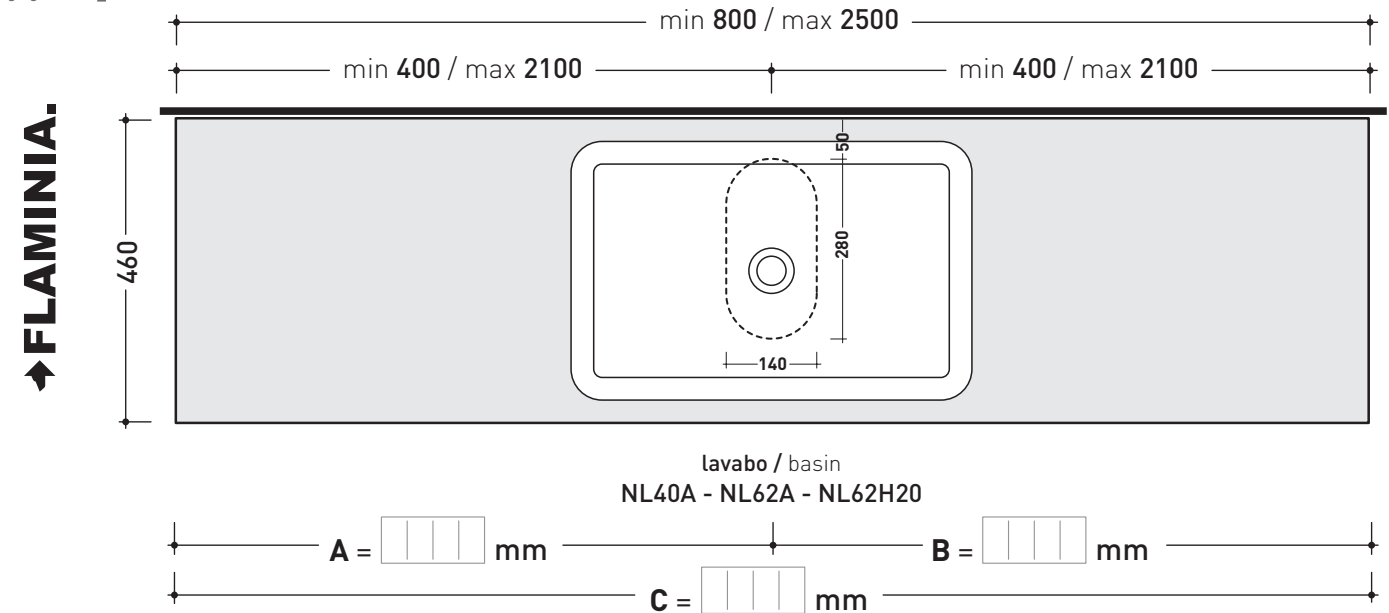
E' importante consultare prima la scheda tecnica relativa  
 It's important to consult before the technical detail

art. **F6NL**  
 mensola / shelf da / from **80 a / to 250 cm**

➔➔ **3** SCELTA MATERIALE / MATERIAL SELECTION

<b>PIETRALUCE lucida / glossy</b>		<b>PIETRALUCE opaco / mat</b>	
<input type="checkbox"/> bianco - white	<input type="checkbox"/> sabbia - sand	<input type="checkbox"/> argilla - argilla	<input type="checkbox"/> gr. lava - lava grey
<input type="checkbox"/> grigio - grey	<input type="checkbox"/> nero - black	<input type="checkbox"/> latte - milky white	<input type="checkbox"/> grafite - graphite
<input type="checkbox"/> beige - beige	<input type="checkbox"/> rosso cuoio - red		
<input type="checkbox"/> blu ultram. - marine blue			

➔➔ **4** SCELTA MISURE / MEASURES



• **A** = misura interasse lavabo da sinistra / left distance of basin. • **C** = misura totale della mensola / total length of the shelf.  
 • **B** = misura interasse lavabo da destra / right distance of basin. • verificare sempre che / verify that: **A + B = C.**



MODULO PER LA REALIZZAZIONE DELLE MENSOLE **FORTY6** A MISURA PER DOPPIO ART. **NL40A / NL62A / NL62H20**

**FORTY6 CUSTOMIZED SHELVES FOR DOUBLE ART. NL40A / NL62A / NL62H20 FORM**



**E' obbligatorio fotocopiare questa pagina, compilarla con cura e allegarla all'ordine.**  
It is compulsory to photocopy this page, carefully fill in and attach to the order.

➔➔ **1**

**DETTAGLI ORDINE / ORDER DETAILS**

ordinante - buyer cliente - client

ordine - order n: \_\_\_\_\_ data - date: \_\_\_\_\_ ref.: \_\_\_\_\_

annotazioni - notes \_\_\_\_\_

➔➔ **2**

**SCELTA ARTICOLO / ITEM CHOICE**

E' importante consultare prima la scheda tecnica relativa  
It's important to consult before the technical detail

**art. F6NL**  
mensola / shelf da / from 172 a / to 250 cm

➔➔ **3**

**SCELTA MATERIALE / MATERIAL SELECTION**

**PIETRALUCE lucida / glossy**

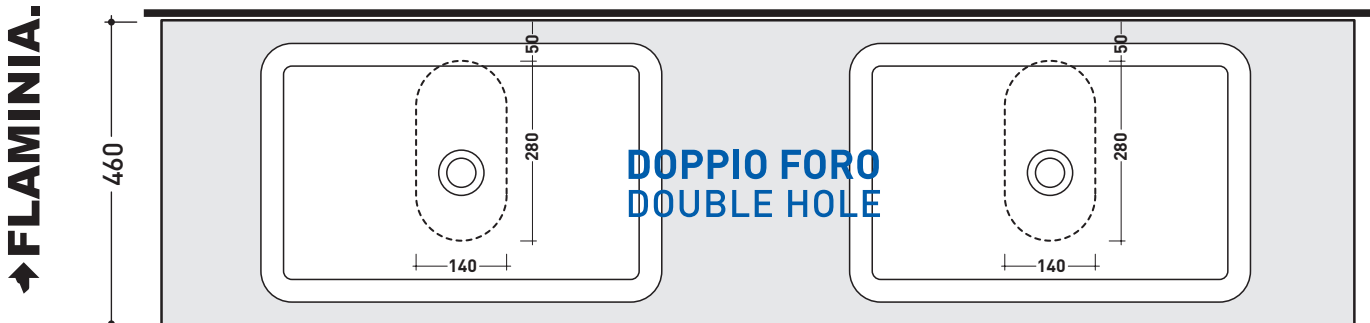
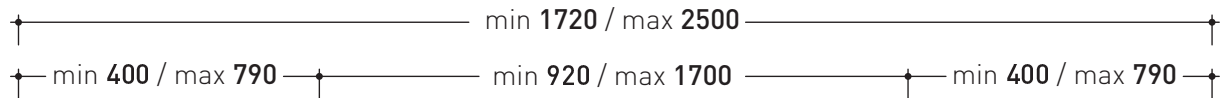
- |  |  |
|--|--|
| <input type="checkbox"/> bianco - white            | <input type="checkbox"/> sabbia - sand     |
| <input type="checkbox"/> grigio - grey             | <input type="checkbox"/> nero - black      |
| <input type="checkbox"/> beige - beige             | <input type="checkbox"/> rosso cuoio - red |
| <input type="checkbox"/> blu ultram. - marine blue |  |

**PIETRALUCE opaco / mat**

- |  |   |
|--|---|
| <input type="checkbox"/> argilla - argilla   | <input type="checkbox"/> gr. lava - lava grey |
| <input type="checkbox"/> latte - milky white | <input type="checkbox"/> grafite - graphite   |

➔➔ **4**

**SCELTA MISURE / MEASURES**



lavabo / basin  
NL40A - NL62A - NL62H20

lavabo / basin  
NL40A - NL62A - NL62H20



- **A** = misura interasse lavabo da sinistra / left distance of basin.
- **B** = misura interasse lavabi / distance between basins.
- **C** = misura interasse lavabo da destra / right distance of basin.

- **D** = misura totale della mensola / total length of the shelf.
- verificare sempre che / verify that: **A + B + C = D.**



## F6PS72 suitable for Pass 72 (PS72L)

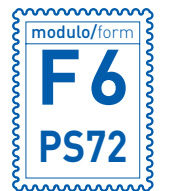
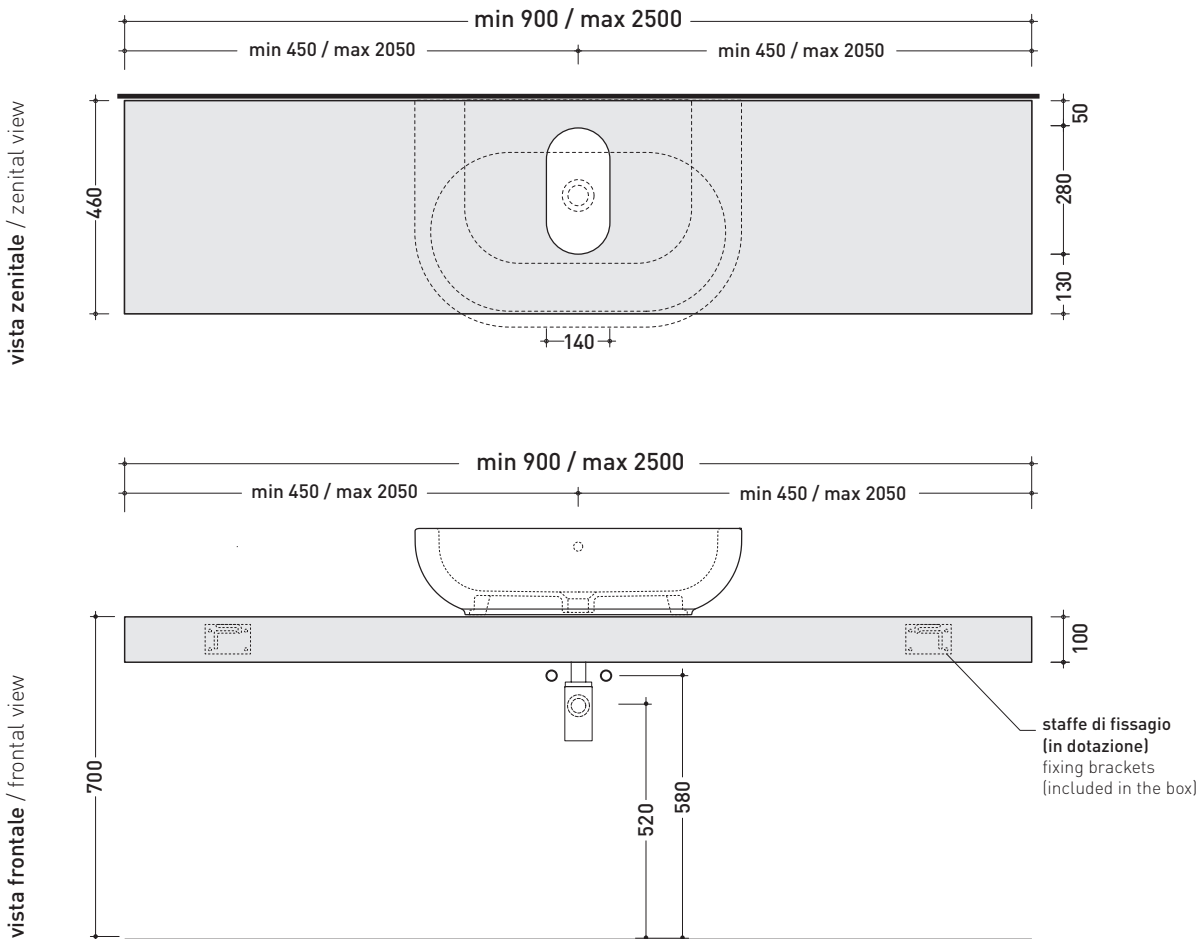
Shelf from 90 to 250 x 46 x h 10 cm suitable for Pass 72 basin  
(fixing brackets included)

Complements: **Make-Up mirrors and lamps**

- App mirros
- Simple mirros
- Hot/Cold mirror (SPHC)
- Left/Right mirror (SPLR)
- Line mirrors (BASC20 - BASC30 - BASC40)



Tap holes are not made on this article by Flaminia



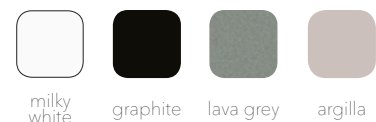
REFERENCE TO  
THE COMPULSORY  
ORDER FORM

sizes in mm

**PIETRALUCE:** glossy finish



**matt finish**





MODULO PER LA REALIZZAZIONE DELLE MENSOLE **FORTY6** A MISURA PER ART. **PS72L**

**FORTY6** CUSTOMIZED SHELVES FOR ART. **PS72L** FORM



**E' obbligatorio fotocopiare questa pagina, compilarla con cura e allegarla all'ordine.**  
It is compulsory to photocopy this page, carefully fill in and attach to the order.

➔➔ **1**

**DETTAGLI ORDINE / ORDER DETAILS**

ordinante - buyer cliente - client

ordine - order n: \_\_\_\_\_ data - date: \_\_\_\_\_ ref.: \_\_\_\_\_

annotazioni - notes \_\_\_\_\_

➔➔ **2**

**SCELTA ARTICOLO / ITEM CHOICE**

E' importante consultare prima la scheda tecnica relativa  
It's important to consult before the technical detail

**art. F6PS72**  
mensola / shelf da / from 90 a / to 250 cm

➔➔ **3**

**SCELTA MATERIALE / MATERIAL SELECTION**

**PIETRALUCE** lucida / glossy

- bianco - white
- grigio - grey
- beige - beige
- blu ultram. - marine blue

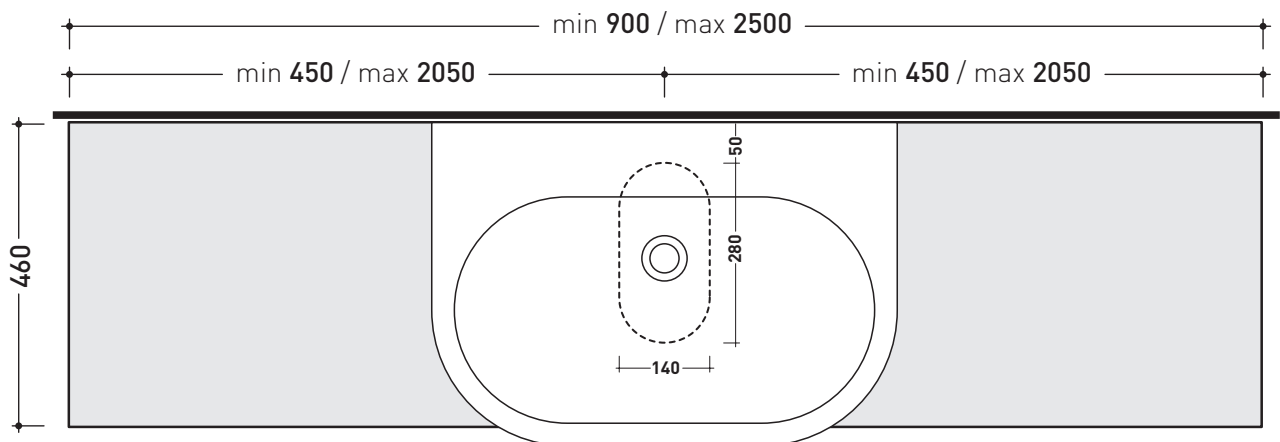
- sabbia - sand
- nero - black
- rosso cuoio - red

**PIETRALUCE** opaco / mat

- argilla - argilla
- latte - milky white
- gr. lava - lava grey
- grafite - graphite

➔➔ **4**

**SCELTA MISURE / MEASURES**



**➔ FLAMINIA.**


lavabo / basin  
**PS72L**

A =  mm B =  mm  
C =  mm

- **A** = misura interasse lavabo da sinistra / left distance of basin.
- **B** = misura interasse lavabo da destra / right distance of basin.
- **C** = misura totale della mensola / total length of the shelf.
- verificare sempre che / verify that: **A + B = C.**



MODULO PER LA REALIZZAZIONE DELLE MENSOLE **FORTY6** A MISURA PER DOPPIO ART. **PS72L**  
**FORTY6** CUSTOMIZED SHELVES FOR DOUBLE ART. **PS72L** FORM

 **E' obbligatorio fotocopiare questa pagina, compilarla con cura e allegarla all'ordine.**  
 It is compulsory to photocopy this page, carefully fill in and attach to the order.

➔➔ **1** DETTAGLI ORDINE / ORDER DETAILS

ordinante - buyer \_\_\_\_\_ cliente - client \_\_\_\_\_

ordine - order n: \_\_\_\_\_ data - date: \_\_\_\_\_ ref.: \_\_\_\_\_

annotazioni - notes \_\_\_\_\_

➔ **2** SCELTA ARTICOLO / ITEM CHOICE

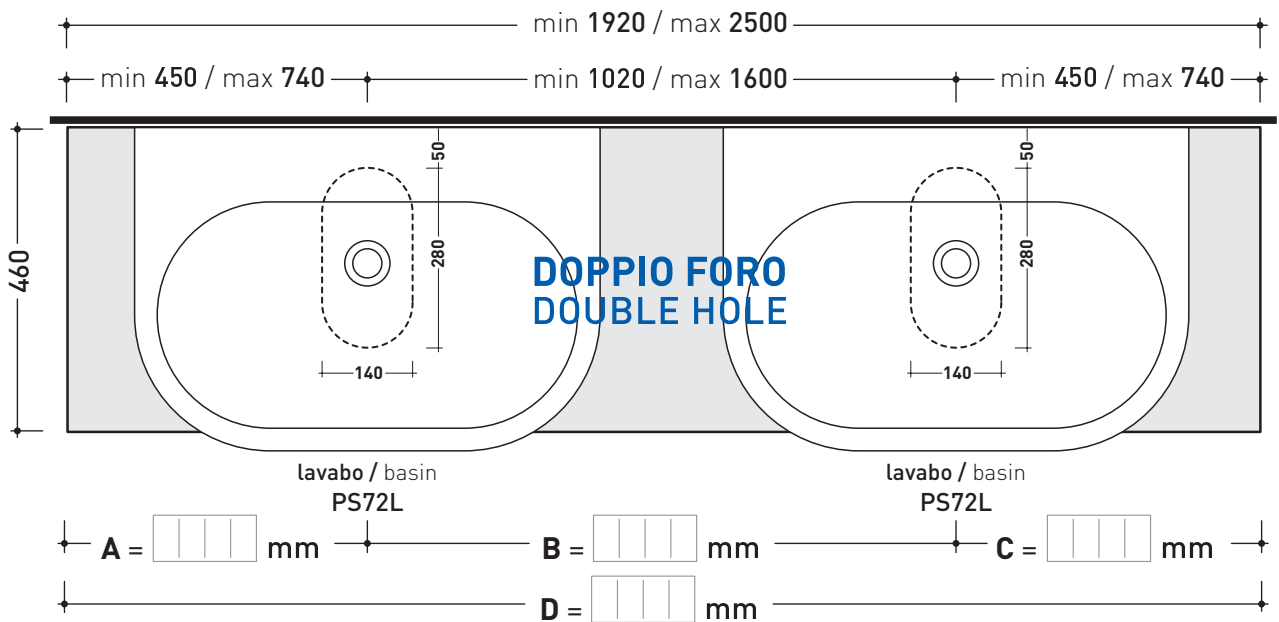
E' importante consultare prima la scheda tecnica relativa  
 It's important to consult before the technical detail

art. **F6PS72**  
 mensola / shelf da / from 192 a / to 250 cm

➔➔ **3** SCELTA MATERIALE / MATERIAL SELECTION

<b>PIETRALUCE</b> lucida / glossy		<b>PIETRALUCE</b> opaco / mat	
<input type="checkbox"/> bianco - white	<input type="checkbox"/> sabbia - sand	<input type="checkbox"/> argilla - argilla	<input type="checkbox"/> gr. lava - lava grey
<input type="checkbox"/> grigio - grey	<input type="checkbox"/> nero - black	<input type="checkbox"/> latte - milky white	<input type="checkbox"/> grafite - graphite
<input type="checkbox"/> beige - beige	<input type="checkbox"/> rosso cuoio - red		
<input type="checkbox"/> blu ultram. - marine blue			

➔➔ **4** SCELTA MISURE / MEASURES



- A = misura interasse lavabo da sinistra / left distance of basin.
- B = misura interasse lavabi / distance between basins.
- C = misura interasse lavabo da destra / right distance of basin.

- D = misura totale della mensola / total length of the shelf.
- verificare sempre che / verify that: **A + B + C = D.**

## F6PS62 suitable for Pass 62 (PS62L)

Shelf from 80 to 250 x 46 x h 10 cm suitable for Pass 62 basin  
(fixing brackets included)

Complements: **Make-Up mirrors and lamps**

App mirros

Simple mirros

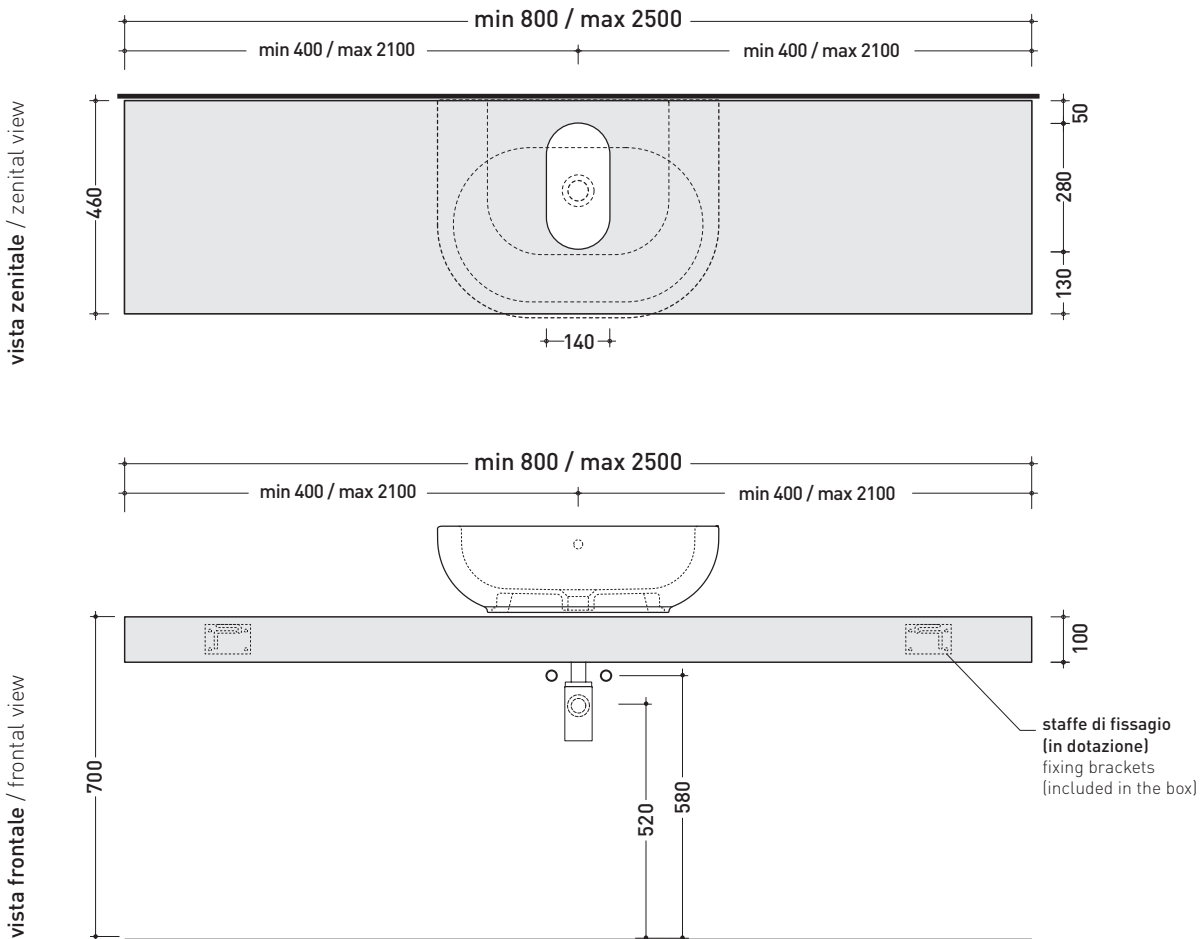
Hot/Cold mirror (SPHC)

Left/Right mirror (SPLR)

Line mirrors (BASC20 - BASC30 - BASC40)



Tap holes are not made on this article by Flaminia



REFERENCE TO  
THE COMPULSORY  
ORDER FORM

sizes in mm

PIETRALUCE: glossy finish



white black marine blue red beige sand grey

matt finish



milky white graphite lava grey argilla



MODULO PER LA REALIZZAZIONE DELLE MENSOLE **FORTY6** A MISURA PER ART. **PS62L**

**FORTY6** CUSTOMIZED SHELVES FOR ART. **PS62L** FORM



**E' obbligatorio fotocopiare questa pagina, compilarla con cura e allegarla all'ordine.**  
It is compulsory to photocopy this page, carefully fill in and attach to the order.

➔➔ **1**

**DETTAGLI ORDINE / ORDER DETAILS**

ordinante - buyer cliente - client

ordine - order n: \_\_\_\_\_ data - date: \_\_\_\_\_ ref.: \_\_\_\_\_

annotazioni - notes \_\_\_\_\_

➔➔ **2**

**SCELTA ARTICOLO / ITEM CHOICE**

E' importante consultare prima la scheda tecnica relativa  
It's important to consult before the technical detail

**art. F6PS62**  
mensola / shelf da / from 80 a / to 250 cm

➔➔ **3**

**SCELTA MATERIALE / MATERIAL SELECTION**

**PIETRALUCE** lucida / glossy

- bianco - white
- grigio - grey
- beige - beige
- blu ultram. - marine blue

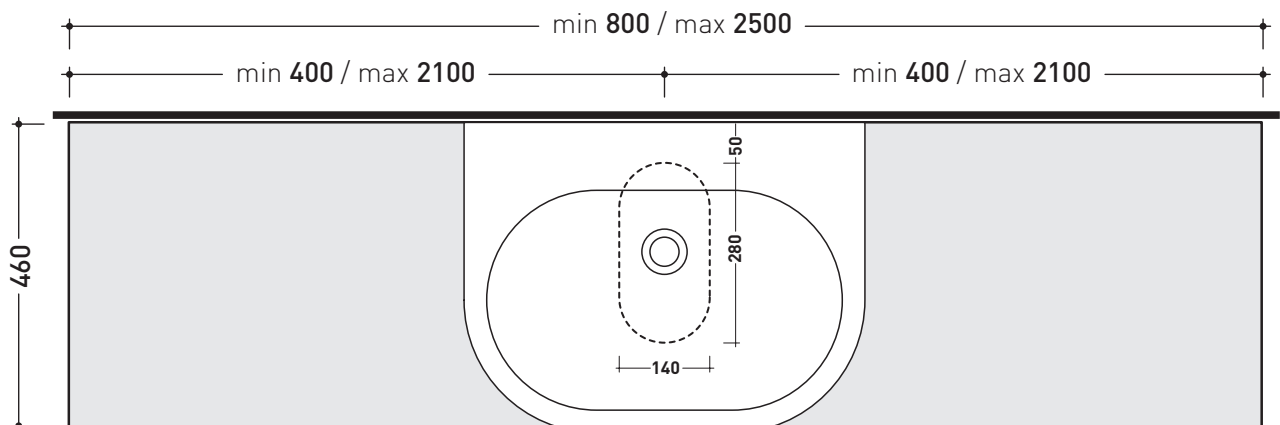
- sabbia - sand
- nero - black
- rosso cuoio - red

**PIETRALUCE** opaco / mat

- argilla - argilla
- latte - milky white
- gr. lava - lava grey
- grafite - graphite

➔➔ **4**

**SCELTA MISURE / MEASURES**



lavabo / basin  
**PS62L**

A =  mm B =  mm  
C =  mm

- **A** = misura interasse lavabo da sinistra / left distance of basin.
- **B** = misura interasse lavabo da destra / right distance of basin.
- **C** = misura totale della mensola / total length of the shelf.
- verificare sempre che / verify that: **A + B = C.**



MODULO PER LA REALIZZAZIONE DELLE MENSOLE **FORTY6** A MISURA PER DOPPIO ART. **PS62L**  
**FORTY6 CUSTOMIZED SHELVES FOR DOUBLE ART. PS62L FORM**



**E' obbligatorio fotocopiare questa pagina, compilarla con cura e allegarla all'ordine.**  
 It is compulsory to photocopy this page, carefully fill in and attach to the order.

➔➔ **1**

**DETTAGLI ORDINE / ORDER DETAILS**

ordinante - buyer		cliente - client	
ordine - order n:	data - date:	ref.:	
annotazioni - notes			

➔ **2**

**SCELTA ARTICOLO / ITEM CHOICE**

E' importante consultare prima la scheda tecnica relativa  
 It's important to consult before the technical detail

art. **F6PS62**  
 mensola / shelf da / from 172 a / to 250 cm

➔➔ **3**

**SCELTA MATERIALE / MATERIAL SELECTION**

**PIETRALUCE** lucida / glossy

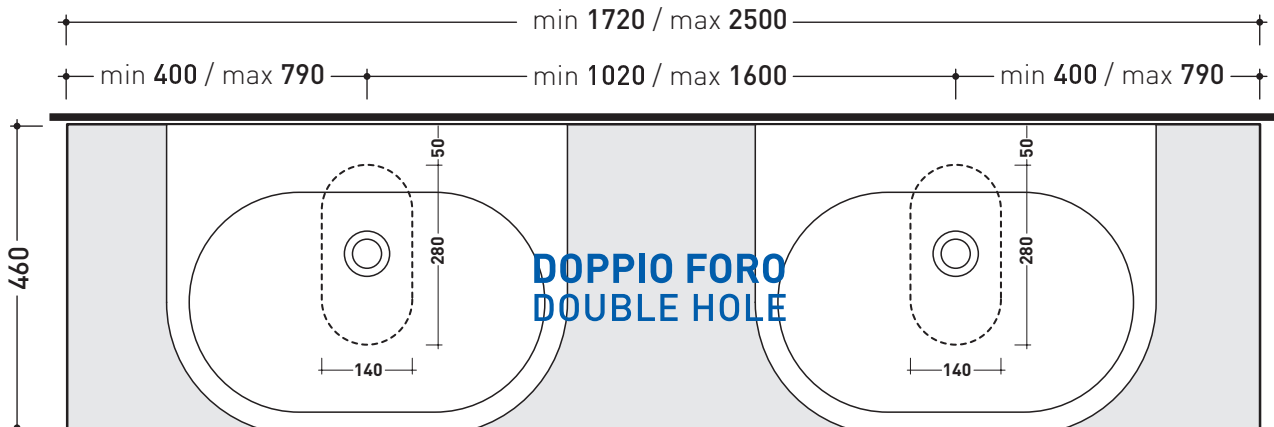
- |  |  |
|--|--|
| <input type="checkbox"/> bianco - white            | <input type="checkbox"/> sabbia - sand     |
| <input type="checkbox"/> grigio - grey             | <input type="checkbox"/> nero - black      |
| <input type="checkbox"/> beige - beige             | <input type="checkbox"/> rosso cuoio - red |
| <input type="checkbox"/> blu ultram. - marine blue |  |

**PIETRALUCE** opaco / mat

- |  |   |
|--|---|
| <input type="checkbox"/> argilla - argilla   | <input type="checkbox"/> gr. lava - lava grey |
| <input type="checkbox"/> latte - milky white | <input type="checkbox"/> grafite - graphite   |

➔➔ **4**

**SCELTA MISURE / MEASURES**



➔ **FLAMINIA.**

lavabo / basin PS62L      lavabo / basin PS62L

A =  mm      B =  mm      C =  mm

D =  mm

- A = misura interasse lavabo da sinistra / left distance of basin.
- B = misura interasse lavabi / distance between basins.
- C = misura interasse lavabo da destra / right distance of basin.
- D = misura totale della mensola / total length of the shelf.
- verificare sempre che / verify that: **A + B + C = D.**

design **FLAMINIA DESIGN TEAM**

2010

## F6PS50 suitable for Pass 50 (PS50L)

Shelf from 80 to 250 x 46 x h 10 cm suitable for Pass 50 basin  
(fixing brackets included)

Complements: **Make-Up mirrors and lamps**

App mirros

Simple mirros

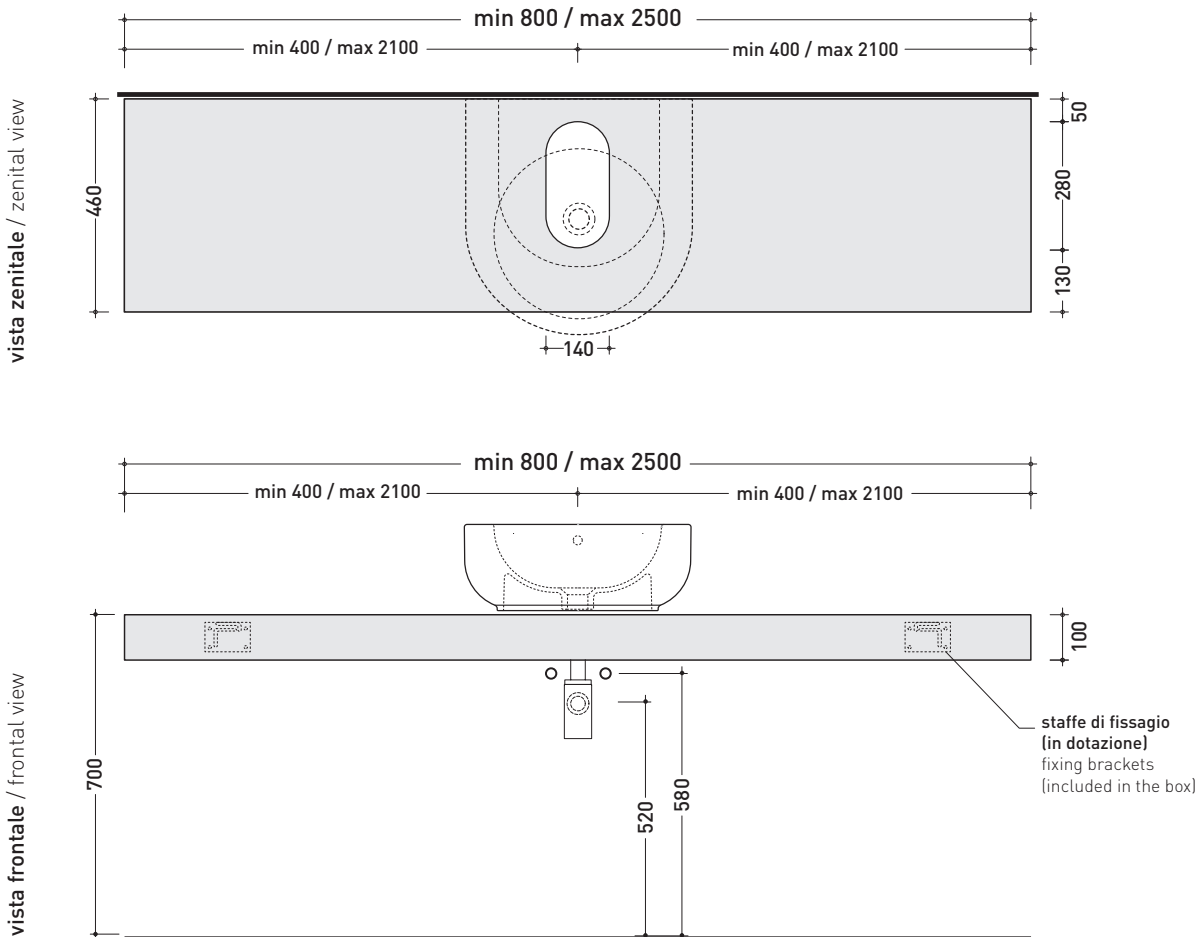
Hot/Cold mirror (SPHC)

Left/Right mirror (SPLR)

Line mirrors (BASC20 - BASC30 - BASC40)



Tap holes are not made on this article by Flaminia



REFERENCE TO  
THE COMPULSORY  
ORDER FORM

sizes in mm

PIETRALUCE: glossy finish



white black marine blue red beige sand grey

matt finish



milky white graphite lava grey argilla



MODULO PER LA REALIZZAZIONE DELLE MENSOLE **FORTY6** A MISURA PER ART. **PS50L**

**FORTY6** CUSTOMIZED SHELVES FOR ART. **PS50L** FORM



**E' obbligatorio fotocopiare questa pagina, compilarla con cura e allegarla all'ordine.**  
It is compulsory to photocopy this page, carefully fill in and attach to the order.

➔➔ **1**

**DETTAGLI ORDINE / ORDER DETAILS**

ordinante - buyer cliente - client

ordine - order n: \_\_\_\_\_ data - date: \_\_\_\_\_ ref.: \_\_\_\_\_

annotazioni - notes \_\_\_\_\_

➔➔ **2**

**SCELTA ARTICOLO / ITEM CHOICE**

E' importante consultare prima la scheda tecnica relativa  
It's important to consult before the technical detail

art. **F6PS50**  
mensola / shelf da / from **80 a / to 250 cm**

➔➔ **3**

**SCELTA MATERIALE / MATERIAL SELECTION**

**PIETRALUCE** lucida / glossy

- bianco - white
- grigio - grey
- beige - beige
- blu ultram. - marine blue

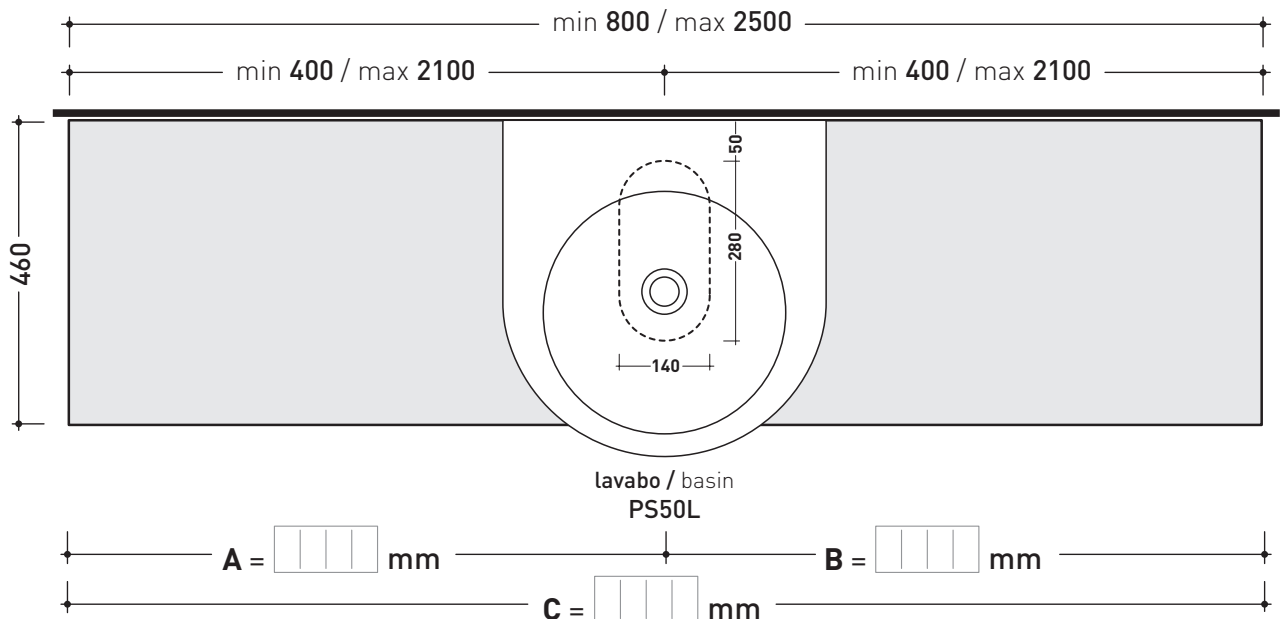
- sabbia - sand
- nero - black
- rosso cuoio - red

**PIETRALUCE** opaco / mat

- argilla - argilla
- latte - milky white
- gr. lava - lava grey
- grafite - graphite

➔➔ **4**

**SCELTA MISURE / MEASURES**




- A = misura interasse lavabo da sinistra / left distance of basin.
- B = misura interasse lavabo da destra / right distance of basin.
- C = misura totale della mensola / total length of the shelf.
- verificare sempre che / verify that: **A + B = C.**





MODULO PER LA REALIZZAZIONE DELLE MENSOLE **FORTY6** A MISURA PER DOPPIO ART. **PS50L**  
**FORTY6** CUSTOMIZED SHELVES FOR DOUBLE ART. **PS50L** FORM

 **E' obbligatorio fotocopiare questa pagina, compilarla con cura e allegarla all'ordine.**  
 It is compulsory to photocopy this page, carefully fill in and attach to the order.

➔➔ **1** DETTAGLI ORDINE / ORDER DETAILS

ordinante - buyer cliente - client

ordine - order n: \_\_\_\_\_ data - date: \_\_\_\_\_ ref.: \_\_\_\_\_

annotazioni - notes \_\_\_\_\_

➔ **2** SCELTA ARTICOLO / ITEM CHOICE

E' importante consultare prima la scheda tecnica relativa  
 It's important to consult before the technical detail

art. **F6PS50**  
 mensola / shelf da / from 150 a / to 250 cm

➔➔ **3** SCELTA MATERIALE / MATERIAL SELECTION

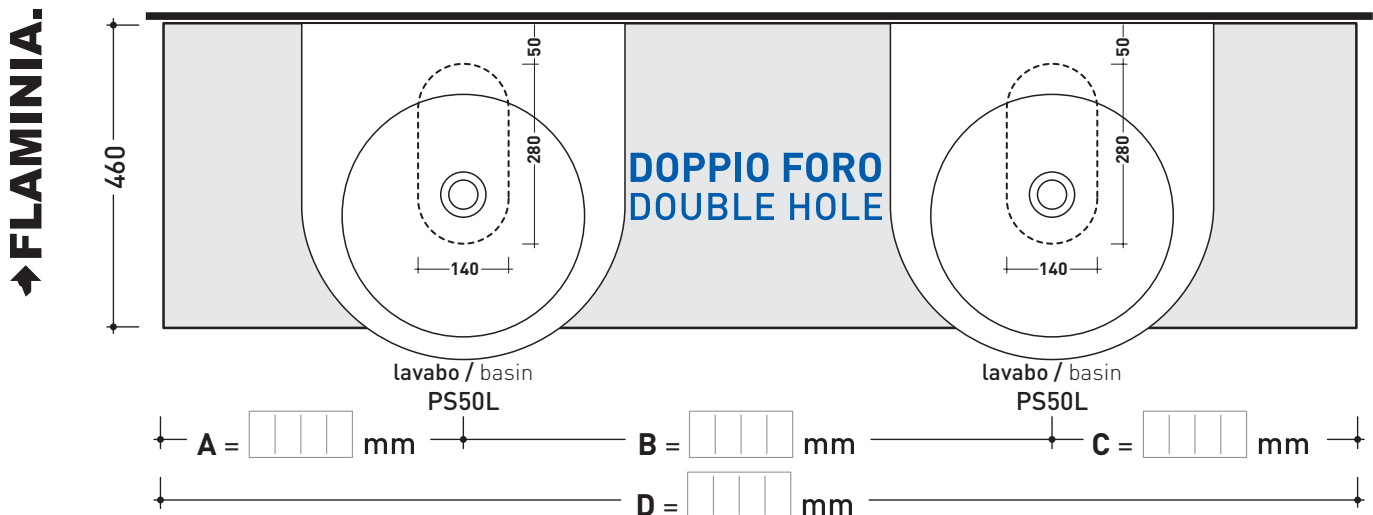
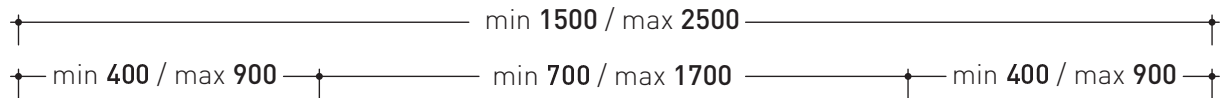
**PIETRALUCE** lucida / glossy

- |  |  |
|--|--|
| <input type="checkbox"/> bianco - white            | <input type="checkbox"/> sabbia - sand     |
| <input type="checkbox"/> grigio - grey             | <input type="checkbox"/> nero - black      |
| <input type="checkbox"/> beige - beige             | <input type="checkbox"/> rosso cuoio - red |
| <input type="checkbox"/> blu ultram. - marine blue |  |

**PIETRALUCE** opaco / mat

- |  |   |
|--|---|
| <input type="checkbox"/> argilla - argilla   | <input type="checkbox"/> gr. lava - lava grey |
| <input type="checkbox"/> latte - milky white | <input type="checkbox"/> grafite - graphite   |

➔➔ **4** SCELTA MISURE / MEASURES



- A = misura interasse lavabo da sinistra / left distance of basin.
- B = misura interasse lavabi / distance between basins.
- C = misura interasse lavabo da destra / right distance of basin.

- D = misura totale della mensola / total length of the shelf.
- verificare sempre che / verify that: **A + B + C = D.**

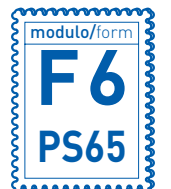
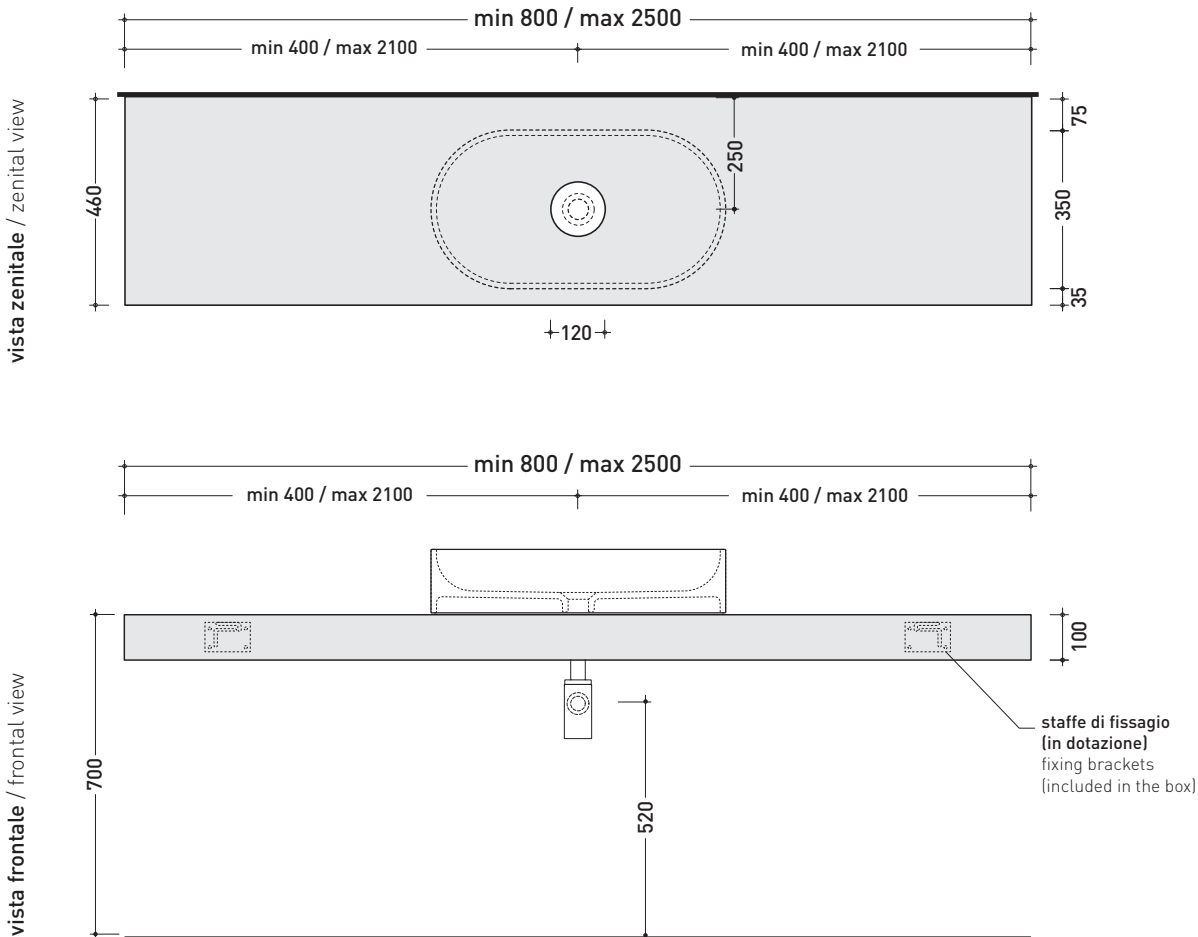
## F6PS65 suitable for Pass 65 (PS65AT), PASS 62 (PS62C) NudaSlim 60/75 (ND60A-ND75A)

Shelf from 80 to 250 x 46 x h 10 cm suitable for Pass 65 and Pass 62 - NudaSlim 60/75 with centred hole basins (fixing brackets included)

- Complements:
- Make-Up mirrors and lamps
  - App mirros
  - Simple mirros
  - Hot/Cold mirror (SPHC)
  - Left/Right mirror (SPLR)
  - Line mirrors (BASC20 - BASC30 - BASC40)



Tap holes are not made on this article by Flaminia



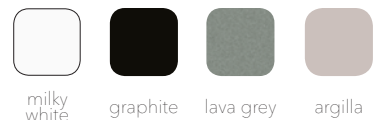
REFERENCE TO THE COMPULSORY ORDER FORM

sizes in mm

PIETRALUCE: glossy finish




matt finish





MODULO PER LA REALIZZAZIONE DELLE MENSOLE **FORTY6** A MISURA PER ART. **PS65AT / PS62C / ND60A / ND75A**  
**FORTY6** CUSTOMIZED SHELVES FOR ART. **PS65AT / PS62C / ND60A / ND75A** FORM

 **E' obbligatorio fotocopiare questa pagina, compilarla con cura e allegarla all'ordine.**  
 It is compulsory to photocopy this page, carefully fill in and attach to the order.

➔➔ **1** DETTAGLI ORDINE / ORDER DETAILS

ordinante - buyer \_\_\_\_\_ cliente - client \_\_\_\_\_

ordine - order n: \_\_\_\_\_ data - date: \_\_\_\_\_ ref.: \_\_\_\_\_

annotazioni - notes \_\_\_\_\_

➔➔ **2** SCELTA ARTICOLO / ITEM CHOICE

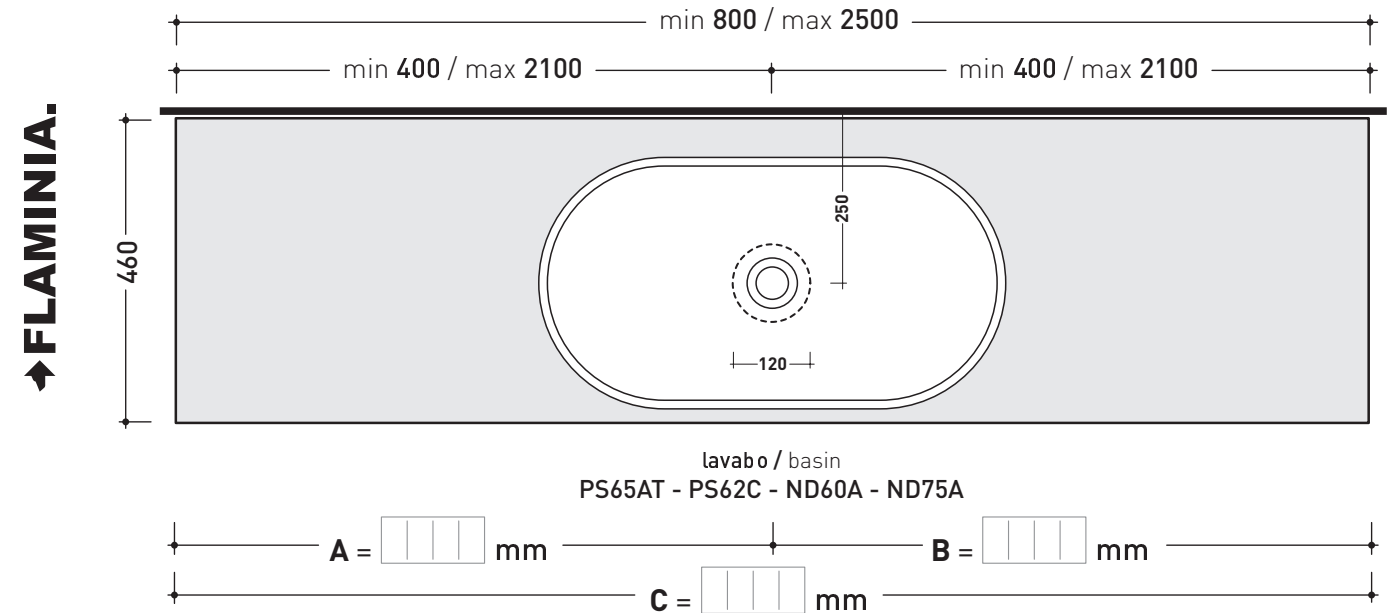
E' importante consultare prima la scheda tecnica relativa  
 It's important to consult before the technical detail

art. **F6PS65**  
 mensola / shelf da / from 80 a / to 250 cm

➔➔ **3** SCELTA MATERIALE / MATERIAL SELECTION

<b>PIETRALUCE</b> lucida / glossy		<b>PIETRALUCE</b> opaco / mat	
<input type="checkbox"/> bianco - white	<input type="checkbox"/> sabbia - sand	<input type="checkbox"/> argilla - argilla	<input type="checkbox"/> gr. lava - lava grey
<input type="checkbox"/> grigio - grey	<input type="checkbox"/> nero - black	<input type="checkbox"/> latte - milky white	<input type="checkbox"/> grafite - graphite
<input type="checkbox"/> beige - beige	<input type="checkbox"/> rosso cuoio - red		
<input type="checkbox"/> blu ultram. - marine blue			


➔➔ **4** SCELTA MISURE / MEASURES



• **A** = misura interasse lavabo da sinistra / left distance of basin. • **C** = misura totale della mensola / total length of the shelf.  
 • **B** = misura interasse lavabo da destra / right distance of basin. • verificare sempre che / verify that: **A + B = C**.



MODULO PER LA REALIZZAZIONE DELLE MENSOLE **FORTY6** A MISURA PER ART. **PS65AT / PS62C / ND60A / ND75A**  
**FORTY6** CUSTOMIZED SHELVES FOR ART. **PS65AT / PS62C / ND60A / ND75A** FORM

 **E' obbligatorio fotocopiare questa pagina, compilarla con cura e allegarla all'ordine.**  
 It is compulsory to photocopy this page, carefully fill in and attach to the order.

➔➔ **1** DETTAGLI ORDINE / ORDER DETAILS

ordinante - buyer \_\_\_\_\_ cliente - client \_\_\_\_\_

ordine - order n: \_\_\_\_\_ data - date: \_\_\_\_\_ ref.: \_\_\_\_\_

annotazioni - notes \_\_\_\_\_

➔➔ **2** SCELTA ARTICOLO / ITEM CHOICE

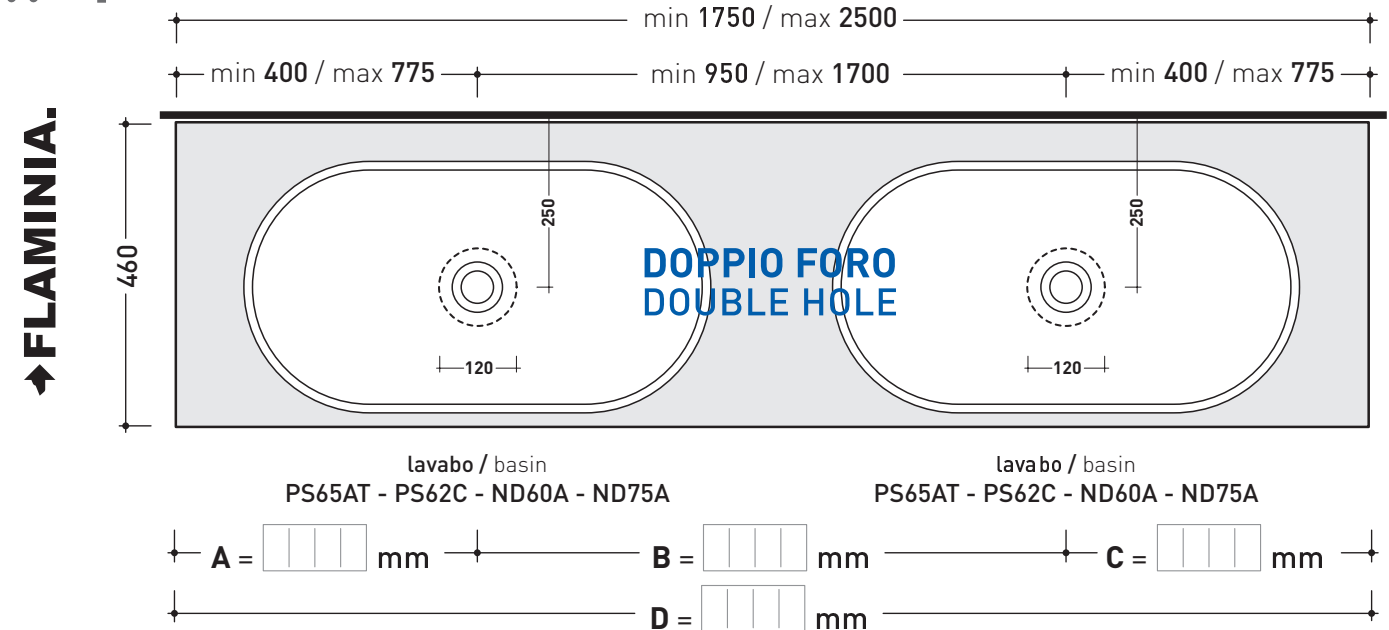
E' importante consultare prima la scheda tecnica relativa  
 It's important to consult before the technical detail

art. **F6PS65**  
 mensola / shelf da / from 175 a / to 250 cm

➔➔ **3** SCELTA MATERIALE / MATERIAL SELECTION

PIETRALUCE lucida / glossy		PIETRALUCE opaco / mat	
<input type="checkbox"/> bianco - white	<input type="checkbox"/> sabbia - sand	<input type="checkbox"/> argilla - argilla	<input type="checkbox"/> gr. lava - lava grey
<input type="checkbox"/> grigio - grey	<input type="checkbox"/> nero - black	<input type="checkbox"/> latte - milky white	<input type="checkbox"/> grafite - graphite
<input type="checkbox"/> beige - beige	<input type="checkbox"/> rosso cuoio - red		
<input type="checkbox"/> blu ultram. - marine blue			

➔➔ **4** SCELTA MISURE / MEASURES



- A = misura interasse lavabo da sinistra / left distance of basin.
- B = misura interasse lavabi / distance between basins.
- C = misura interasse lavabo da destra / right distance of basin.
- D = misura totale della mensola / total length of the shelf.
- verificare sempre che / verify that: **A + B + C = D.**

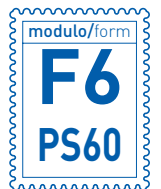
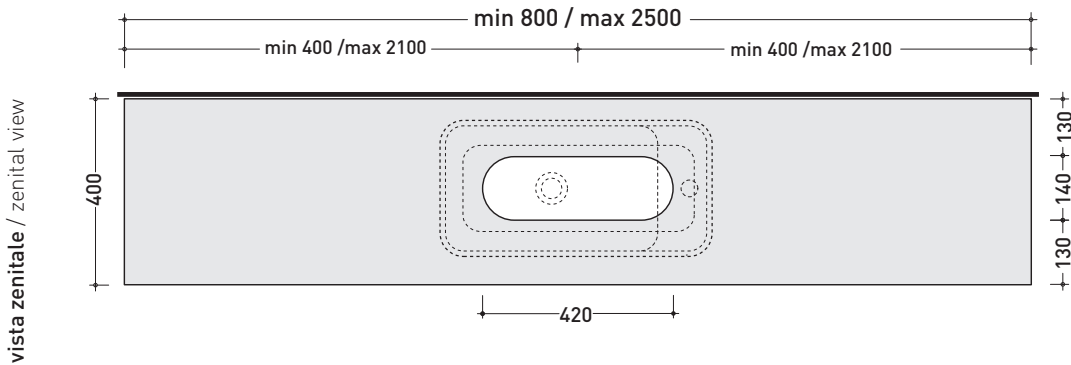
## F6PS60 suitable for Pass (PS60A - PS60AP - PS60AT)

Shelf from 80 to 250 x 40 x h 10 cm suitable for Pass basins  
(fixing brackets included)

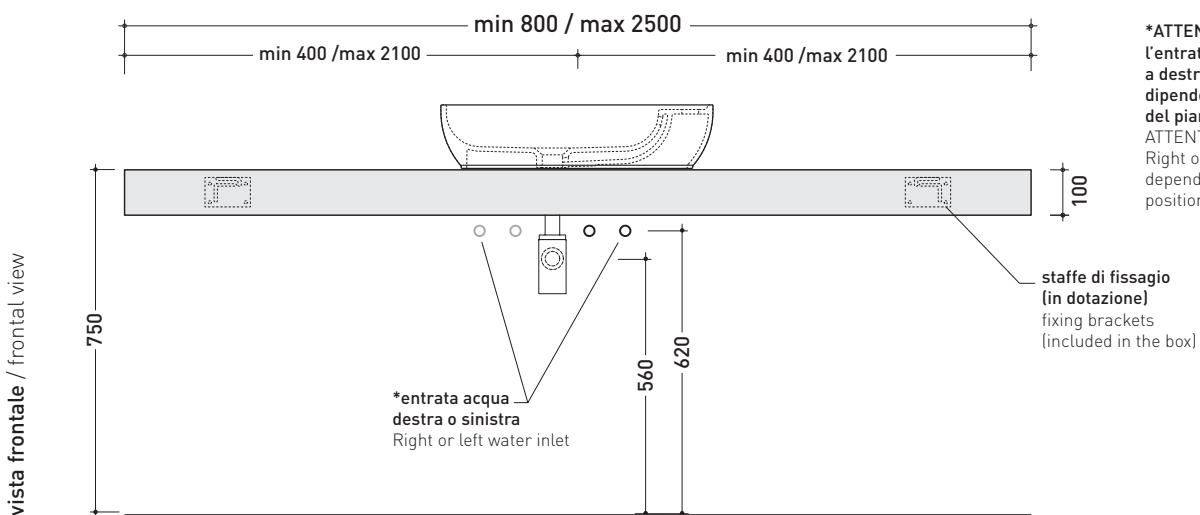
- Complements:
- Make-Up mirrors and lamps
  - App mirros
  - Simple mirros
  - Hot/Cold mirror (SPHC)
  - Left/Right mirror (SPLR)
  - Line mirrors (BASC20 - BASC30 - BASC40)



Tap holes are not made on this article by Flaminia



REFERENCE TO  
THE COMPULSORY  
ORDER FORM

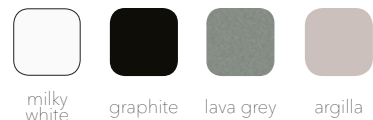


sizes in mm

PIETRALUCE: glossy finish



matt finish





MODULO PER LA REALIZZAZIONE DELLE MENSOLE **FORTY6** A MISURA PER ART. **PS60A - PS60AP - PS60AT**  
**FORTY6** CUSTOMIZED SHELVES FOR ART. **PS60A - PS60AP - PS60AT** FORM



**E' obbligatorio fotocopiare questa pagina, compilarla con cura e allegarla all'ordine.**  
 It is compulsory to photocopy this page, carefully fill in and attach to the order.

➔➔ **1**

**DETTAGLI ORDINE / ORDER DETAILS**

ordinante - buyer		cliente - client	
ordine - order n:	data - date:	ref.:	
annotazioni - notes			

➔➔ **2**

**SCELTA ARTICOLO / ITEM CHOICE**

E' importante consultare prima la scheda tecnica relativa  
 It's important to consult before the technical detail

art. **F6PS60**  
 mensola / shelf da / from 80 a / to 250 cm

➔➔ **3**

**SCELTA MATERIALE / MATERIAL SELECTION**

**PIETRALUCE** lucida / glossy

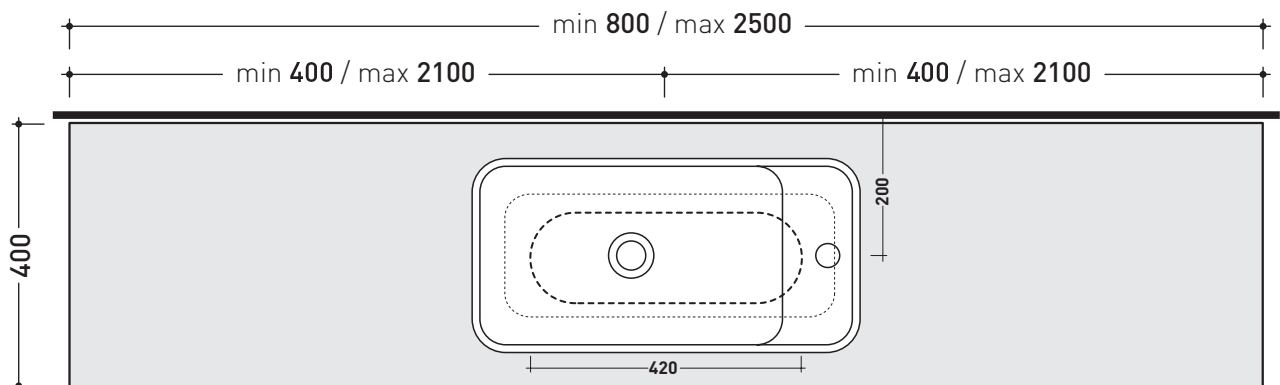
- |  |  |
|--|--|
| <input type="checkbox"/> bianco - white            | <input type="checkbox"/> sabbia - sand     |
| <input type="checkbox"/> grigio - grey             | <input type="checkbox"/> nero - black      |
| <input type="checkbox"/> beige - beige             | <input type="checkbox"/> rosso cuoio - red |
| <input type="checkbox"/> blu ultram. - marine blue |  |

**PIETRALUCE** opaco / mat

- |  |   |
|--|---|
| <input type="checkbox"/> argilla - argilla   | <input type="checkbox"/> gr. lava - lava grey |
| <input type="checkbox"/> latte - milky white | <input type="checkbox"/> grafite - graphite   |

➔➔ **4**

**SCELTA MISURE / MEASURES**




lavabo / basin  
 PS60A - PS60AP - PS60AT

A =	<input type="text"/>	mm	B =	<input type="text"/>	mm
C =		<input type="text"/>	mm		

• **A** = misura interasse lavabo da sinistra / left distance of basin. • **C** = misura totale della mensola / total length of the shelf.  
 • **B** = misura interasse lavabo da destra / right distance of basin. • verificare sempre che / verify that: **A + B = C**.



MODULO PER LA REALIZZAZIONE DELLE MENSOLE **FORTY6** A MISURA PER DOPPIO ART. **PS60A - PS60AP - PS60AT**  
**FORTY6 CUSTOMIZED SHELVES FOR DOUBLE ART. PS60A - PS60AP - PS60AT FORM**

 **E' obbligatorio fotocopiare questa pagina, compilarla con cura e allegarla all'ordine.**  
 It is compulsory to photocopy this page, carefully fill in and attach to the order.

➔➔ **1** DETTAGLI ORDINE / ORDER DETAILS

ordinante - buyer \_\_\_\_\_ cliente - client \_\_\_\_\_

ordine - order n: \_\_\_\_\_ data - date: \_\_\_\_\_ ref.: \_\_\_\_\_

annotazioni - notes \_\_\_\_\_

➔➔ **2** SCELTA ARTICOLO / ITEM CHOICE

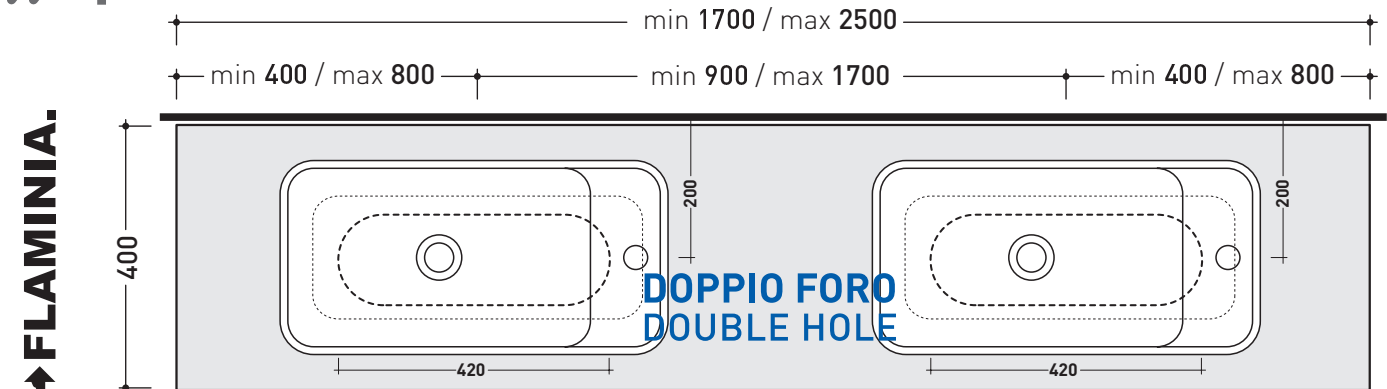
E' importante consultare prima la scheda tecnica relativa  
 It's important to consult before the technical detail

art. **F6PS60**  
 mensola / shelf da / from 170 a / to 250 cm

➔➔ **3** SCELTA MATERIALE / MATERIAL SELECTION

<b>PIETRALUCE lucida / glossy</b>		<b>PIETRALUCE opaco / mat</b>	
<input type="checkbox"/> bianco - white	<input type="checkbox"/> sabbia - sand	<input type="checkbox"/> argilla - argilla	<input type="checkbox"/> gr. lava - lava grey
<input type="checkbox"/> grigio - grey	<input type="checkbox"/> nero - black	<input type="checkbox"/> latte - milky white	<input type="checkbox"/> grafite - graphite
<input type="checkbox"/> beige - beige	<input type="checkbox"/> rosso cuoio - red		
<input type="checkbox"/> blu ultram. - marine blue			

➔➔ **4** SCELTA MISURE / MEASURES



lavabo / basin PS60A - PS60AP - PS60AT      lavabo / basin PS60A - PS60AP - PS60AT

A =  mm      B =  mm      C =  mm

D =  mm

- A = misura interasse lavabo da sinistra / left distance of basin.
- B = misura interasse lavabi / distance between basins.
- C = misura interasse lavabo da destra / right distance of basin.
- D = misura totale della mensola / total length of the shelf.
- verificare sempre che / verify that: **A + B + C = D.**

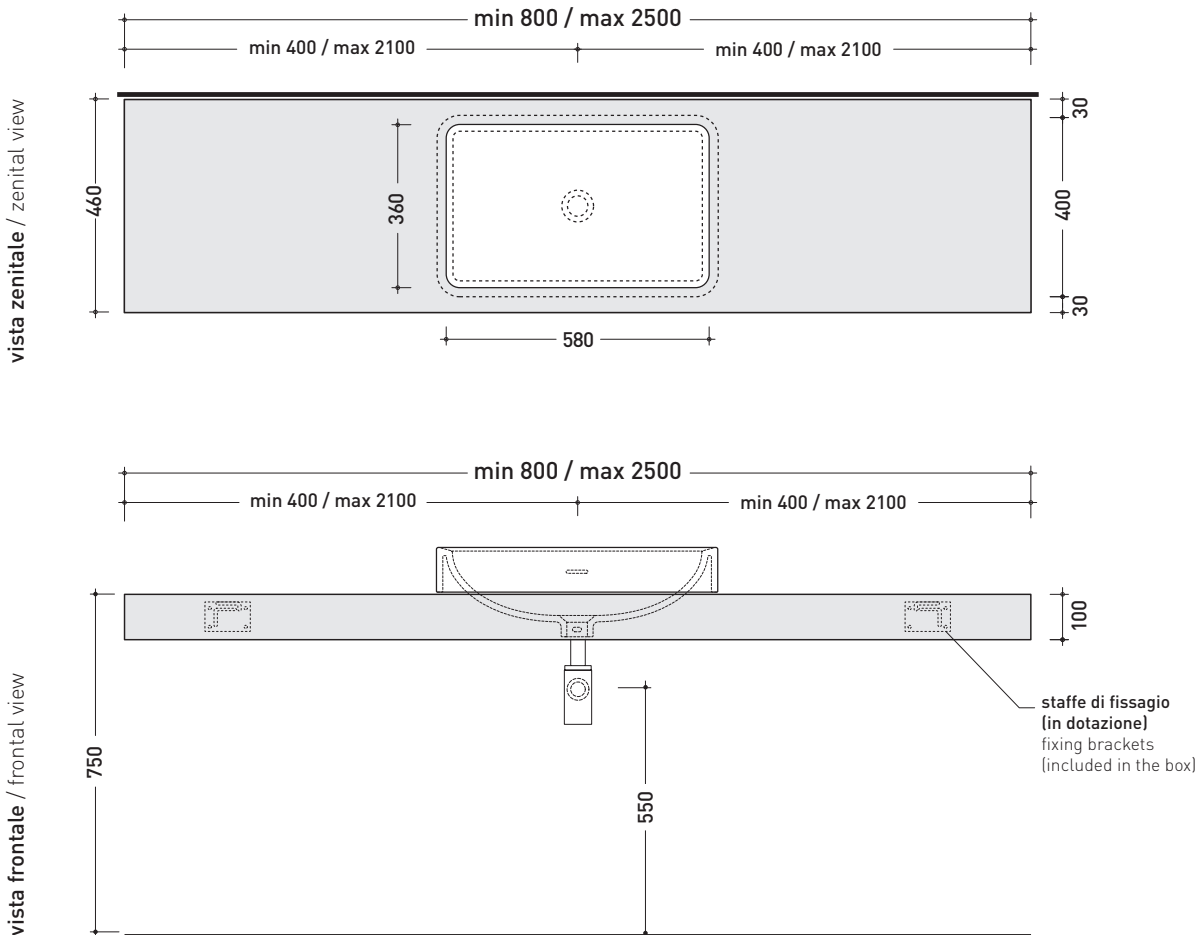
## F6NLINC suitable for Nile 62 recessed (NL62INC)

Shelf from 80 to 250 x 46 x h 10 cm  
suitable for Nile 62 recessed basin (fixing brackets included)

- Complements:
- Make-Up mirrors and lamps
  - App mirros
  - Simple mirros
  - Hot/Cold mirror (SPHC)
  - Left/Right mirror (SPLR)
  - Line mirrors (BASC20 - BASC30 - BASC40)



Tap holes are not made on this article by Flaminia



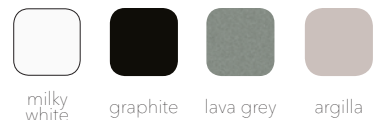
REFERENCE TO  
THE COMPULSORY  
ORDER FORM

sizes in mm

PIETRALUCE: glossy finish




matt finish







MODULO PER LA REALIZZAZIONE DELLE MENSOLE **FORTY6** A MISURA PER ART. **NL62INC**  
**FORTY6** CUSTOMIZED SHELVES FOR ART. **NL62INC** FORM

 **E' obbligatorio fotocopiare questa pagina, compilarla con cura e allegarla all'ordine.**  
 It is compulsory to photocopy this page, carefully fill in and attach to the order.

➔➔ **1** DETTAGLI ORDINE / ORDER DETAILS

ordinante - buyer cliente - client

ordine - order n: \_\_\_\_\_ data - date: \_\_\_\_\_ ref.: \_\_\_\_\_

annotazioni - notes \_\_\_\_\_

➔➔ **2** SCELTA ARTICOLO / ITEM CHOICE

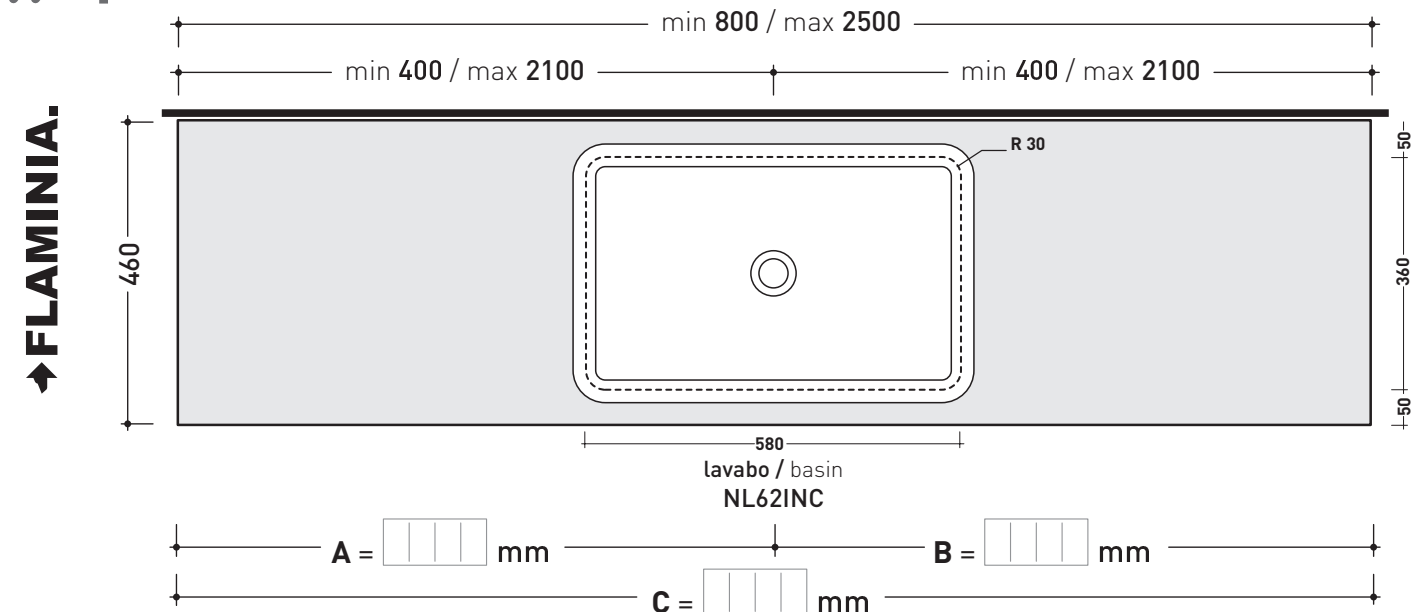
E' importante consultare prima la scheda tecnica relativa  
 It's important to consult before the technical detail

art. **F6NLINC**  
 mensola / shelf da / from 80 a / to 250 cm

➔➔ **3** SCELTA MATERIALE / MATERIAL SELECTION

<b>PIETRALUCE</b> lucida / glossy		<b>PIETRALUCE</b> opaco / mat	
<input type="checkbox"/> bianco - white	<input type="checkbox"/> sabbia - sand	<input type="checkbox"/> argilla - argilla	<input type="checkbox"/> gr. lava - lava grey
<input type="checkbox"/> grigio - grey	<input type="checkbox"/> nero - black	<input type="checkbox"/> latte - milky white	<input type="checkbox"/> grafite - graphite
<input type="checkbox"/> beige - beige	<input type="checkbox"/> rosso cuoio - red		
<input type="checkbox"/> blu ultram. - marine blue			

➔➔ **4** SCELTA MISURE / MEASURES



• **A** = misura interasse lavabo da sinistra / left distance of basin. • **C** = misura totale della mensola / total length of the shelf.  
 • **B** = misura interasse lavabo da destra / right distance of basin. • verificare sempre che / verify that: **A + B = C**.



MODULO PER LA REALIZZAZIONE DELLE MENSOLE **FORTY6** A MISURA PER ART. **NL62INC**

**FORTY6** CUSTOMIZED SHELVES FOR ART. **NL62INC** FORM



**E' obbligatorio fotocopiare questa pagina, compilarla con cura e allegarla all'ordine.**  
It is compulsory to photocopy this page, carefully fill in and attach to the order.

➔➔ **1**

**DETTAGLI ORDINE / ORDER DETAILS**

ordinante - buyer		cliente - client	
ordine - order n:	data - date:	ref.:	
annotazioni - notes			

➔➔ **2**

**SCELTA ARTICOLO / ITEM CHOICE**

E' importante consultare prima la scheda tecnica relativa  
It's important to consult before the technical detail

art. **F6NLINC**  
mensola / shelf da / from 172 a / to 250 cm

➔➔ **3**

**SCELTA MATERIALE / MATERIAL SELECTION**

**PIETRALUCE** lucida / glossy

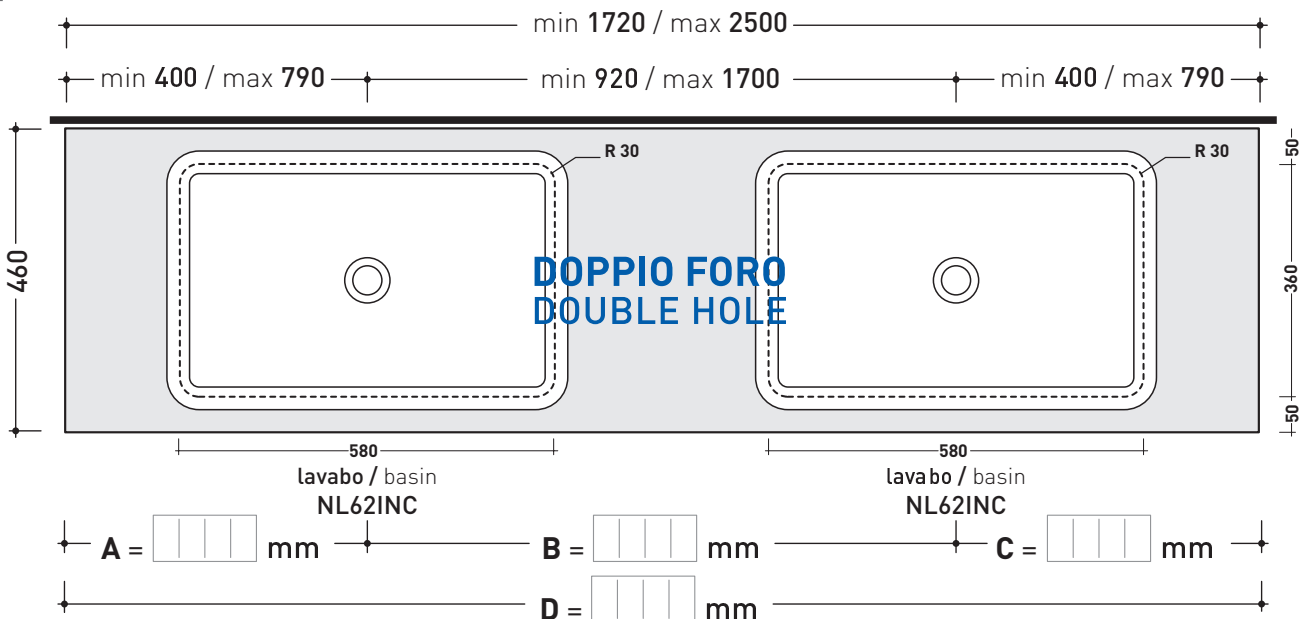
- |  |  |
|--|--|
| <input type="checkbox"/> bianco - white            | <input type="checkbox"/> sabbia - sand     |
| <input type="checkbox"/> grigio - grey             | <input type="checkbox"/> nero - black      |
| <input type="checkbox"/> beige - beige             | <input type="checkbox"/> rosso cuoio - red |
| <input type="checkbox"/> blu ultram. - marine blue |  |

**PIETRALUCE** opaco / mat

- |  |   |
|--|---|
| <input type="checkbox"/> argilla - argilla   | <input type="checkbox"/> gr. lava - lava grey |
| <input type="checkbox"/> latte - milky white | <input type="checkbox"/> grafite - graphite   |

➔➔ **4**

**SCELTA MISURE / MEASURES**



➔ **FLAMINIA.**

- **A** = misura interasse lavabo da sinistra / left distance of basin.
- **B** = misura interasse lavabo da destra / right distance of basin.
- **C** = misura totale della mensola / total length of the shelf.
- verificare sempre che / verify that: **A + B = C.**

design **FLAMINIA DESIGN TEAM**

2010

## F6BN suitable for Bonola (BN46A - BN60A) - Saltodacqua (SD42L)

Shelf from 80 to 250 x 46 x h 10 cm suitable for Bonola 46 basin  
(fixing brackets included)

Complements: **Make-Up mirrors and lamps**

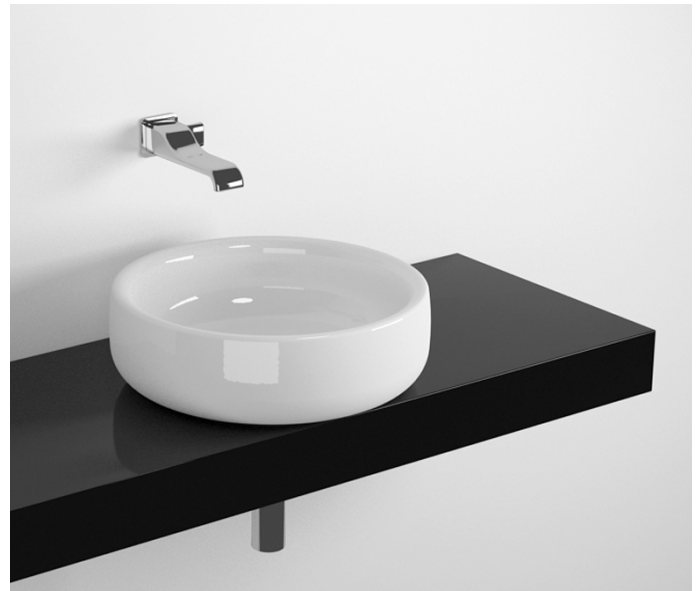
App mirros

Simple mirros

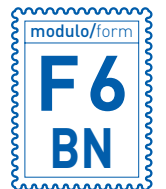
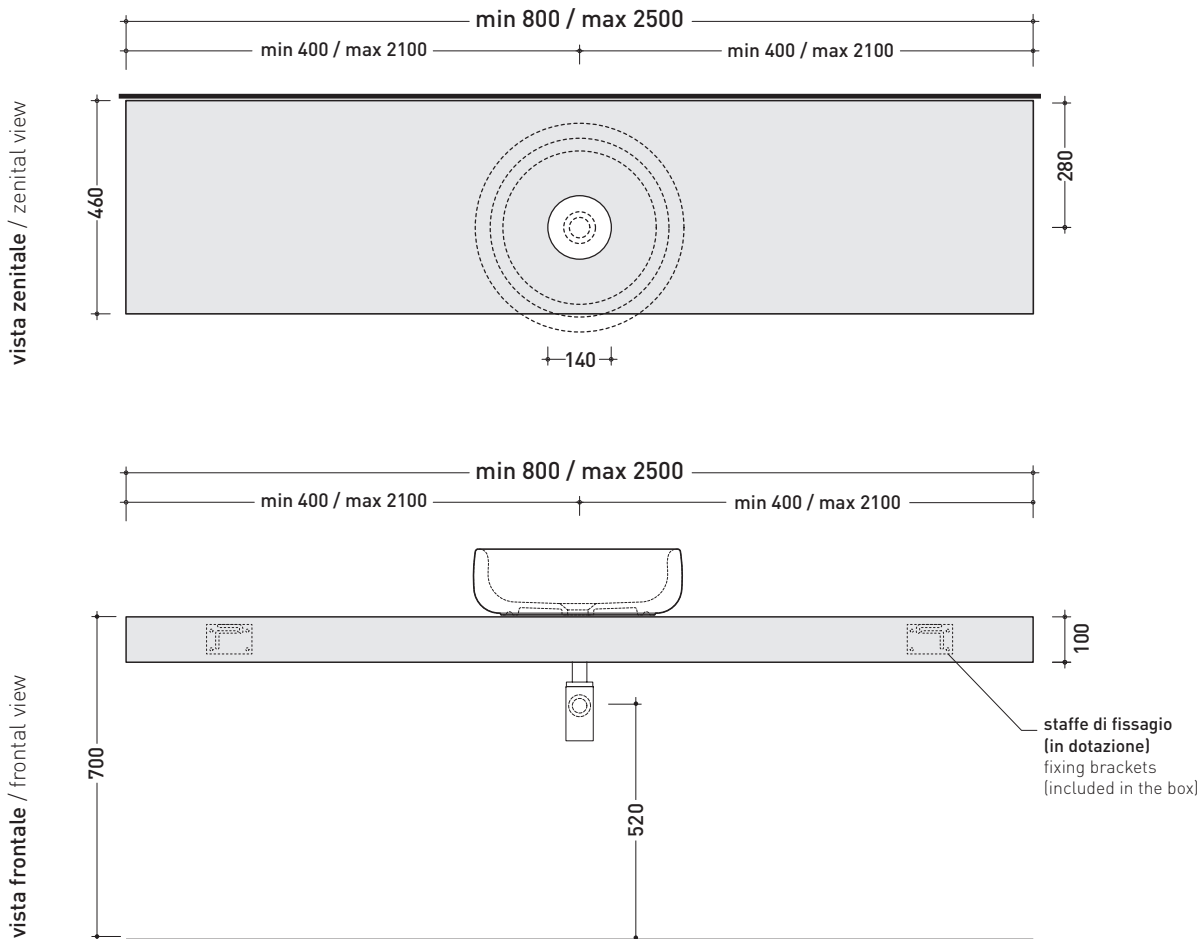
Hot/Cold mirror (SPHC)

Left/Right mirror (SPLR)

Line mirrors (BASC20 - BASC30 - BASC40)



Tap holes are not made on this article by Flaminia



REFERENCE TO  
THE COMPULSORY  
ORDER FORM

sizes in mm

PIETRALUCE: glossy finish

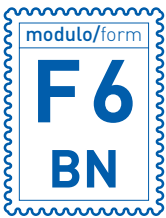


white black marine blue red beige sand grey

matt finish



milky white graphite lava grey argilla



MODULO PER LA REALIZZAZIONE DELLE MENSOLE **FORTY6** A MISURA PER ART. **BN46A - BN60A - SD42L**

**FORTY6** CUSTOMIZED SHELVES FOR ART. **BN46A - BN60A - SD42L** FORM



**E' obbligatorio fotocopiare questa pagina, compilarla con cura e allegarla all'ordine.**  
It is compulsory to photocopy this page, carefully fill in and attach to the order.

## ➤➤ 1 DETTAGLI ORDINE / ORDER DETAILS

ordinante - buyer cliente - client

ordine - order n: \_\_\_\_\_ data - date: \_\_\_\_\_ ref.: \_\_\_\_\_

annotazioni - notes \_\_\_\_\_

## ➤➤ 2 SCELTA ARTICOLO / ITEM CHOICE

E' importante consultare prima la scheda tecnica relativa  
It's important to consult before the technical detail

art. **F6BN**  
mensola / shelf da / from 80 a / to 250 cm

## ➤➤ 3 SCELTA MATERIALE / MATERIAL SELECTION

**PIETRALUCE** lucida / glossy

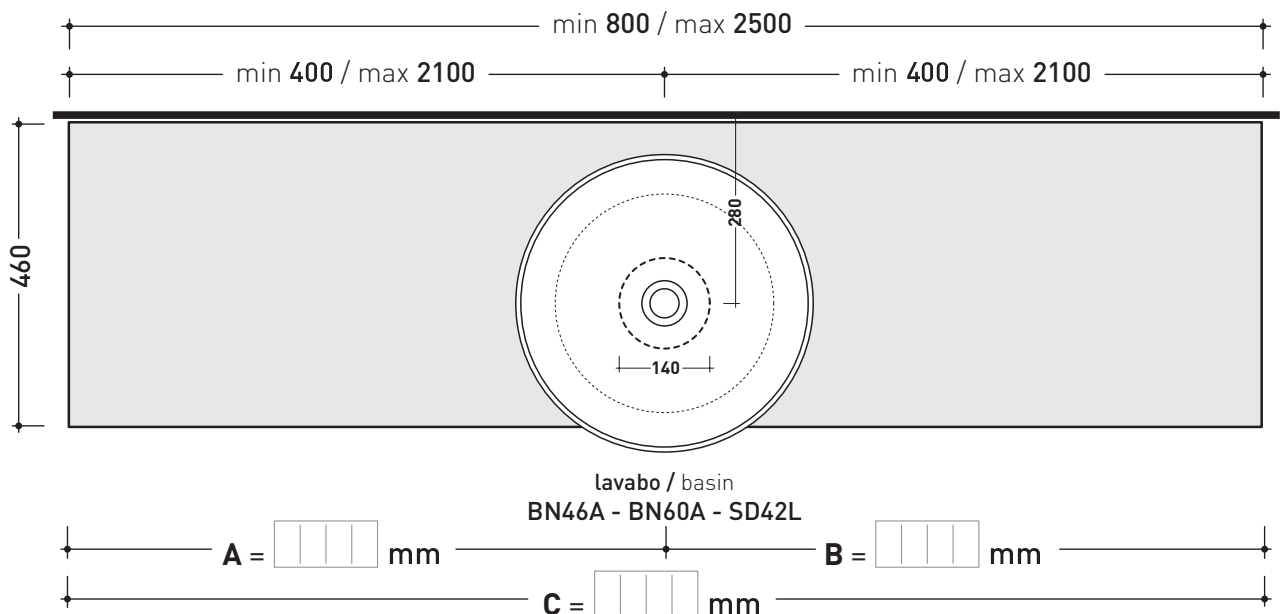
- bianco - white
- grigio - grey
- beige - beige
- blu ultram. - marine blue

- sabbia - sand
- nero - black
- rosso cuoio - red

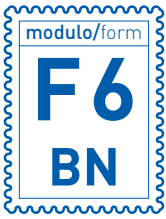
**PIETRALUCE** opaco / mat

- argilla - argilla
- latte - milky white
- gr. lava - lava grey
- grafite - graphite

## ➤➤ 4 SCELTA MISURE / MEASURES



- A = misura interasse lavabo da sinistra / left distance of basin.
- B = misura interasse lavabo da destra / right distance of basin.
- C = misura totale della mensola / total length of the shelf.
- verificare sempre che / verify that: **A + B = C.**



MODULO PER LA REALIZZAZIONE DELLE MENSOLE **FORTY6** A MISURA PER DOPPIO ART. **BN46A - BN60A - SD42L**

**FORTY6 CUSTOMIZED SHELVES FOR DOUBLE ART. BN46A - BN60A - SD42L FORM**



**E' obbligatorio fotocopiare questa pagina, compilarla con cura e allegarla all'ordine.**  
It is compulsory to photocopy this page, carefully fill in and attach to the order.

➔➔ **1**

**DETTAGLI ORDINE / ORDER DETAILS**

ordinante - buyer \_\_\_\_\_ cliente - client \_\_\_\_\_

ordine - order n: \_\_\_\_\_ data - date: \_\_\_\_\_ ref.: \_\_\_\_\_

annotazioni - notes \_\_\_\_\_

➔➔ **2**

**SCELTA ARTICOLO / ITEM CHOICE**

E' importante consultare prima la scheda tecnica relativa  
It's important to consult before the technical detail

art. **F6BN**  
mensola / shelf da / from **150 a / to 250 cm**

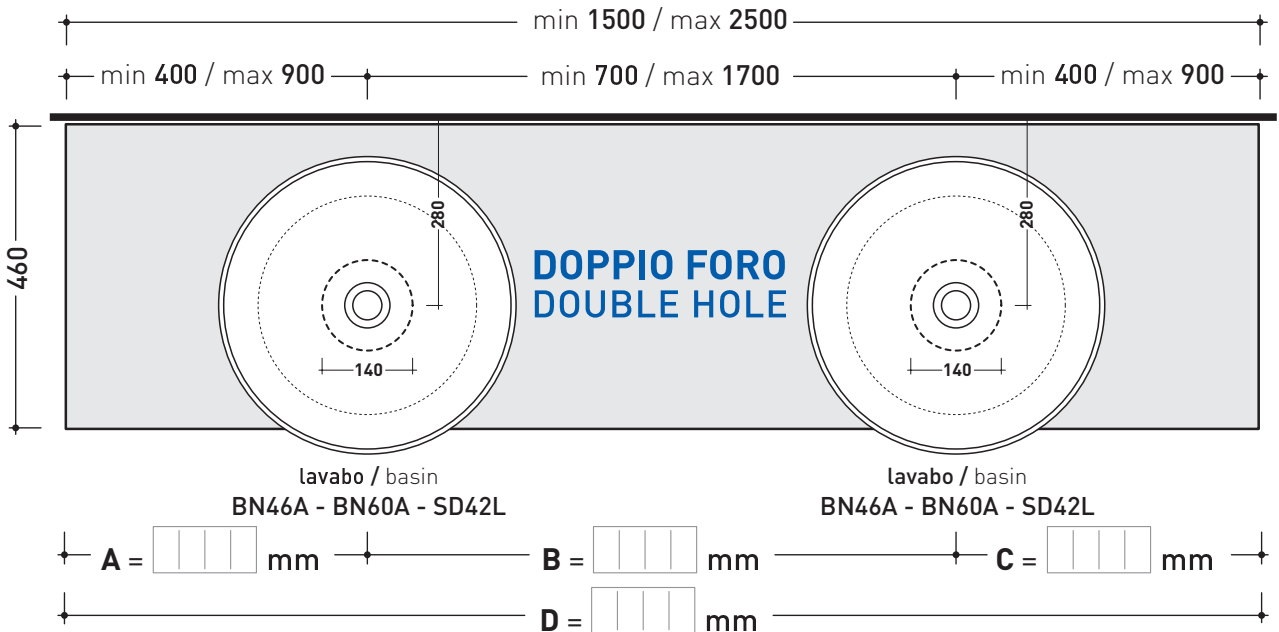
➔➔ **3**

**SCELTA MATERIALE / MATERIAL SELECTION**

- | PIETRALUCE lucida / glossy                         |  | PIETRALUCE opaco / mat                       |   |
|--|--|--|---|
| <input type="checkbox"/> bianco - white            | <input type="checkbox"/> sabbia - sand     | <input type="checkbox"/> argilla - argilla   | <input type="checkbox"/> gr. lava - lava grey |
| <input type="checkbox"/> grigio - grey             | <input type="checkbox"/> nero - black      | <input type="checkbox"/> latte - milky white | <input type="checkbox"/> grafite - graphite   |
| <input type="checkbox"/> beige - beige             | <input type="checkbox"/> rosso cuoio - red |  |   |
| <input type="checkbox"/> blu ultram. - marine blue |  |  |   |

➔➔ **4**

**SCELTA MISURE / MEASURES**



- **A** = misura interasse lavabo da sinistra / left distance of basin.
- **B** = misura interasse lavabi / distance between basins.
- **C** = misura interasse lavabo da destra / right distance of basin.
- **D** = misura totale della mensola / total length of the shelf.
- verificare sempre che / verify that: **A + B + C = D.**